



## Electriflame e-DLX 3 Sided Electric Fire

Models No's

e-DLX 1250 - EDXB12RE (Real Wood Loose Log Model), e-DLX 1250 - EDXB12RE-NLD (Real Wood Loose Log Model, Netherlands), e-DLX 1250 - EDXL12RE (Ceramic Log Model), EDXR12RE (Real Wood Model), e-DLX 1600 - EDXB16RE (Real Wood Loose Log Model) e-DLX 1600 - EDXL16RE (Ceramic Log Model), EDXR16RE (Real Wood Model), e-DLX 1800 - EDXB18RE (Real Wood Loose Log Model) 1800 - EDXL18RE (Ceramic Log Model), EDXR18RE (Real Wood Model), e-DLX 2000 - EDXB12RE (Real Wood Loose Log Model) 2000 - EDXL20RE (Ceramic Log Model), EDXR20RE (Real Wood Model)

### Packing Checklist

Electric Fire  
Remote Control Handset\* with wall mounting bracket & 3 off AAA Batteries  
Bag of bark chippings  
Ceramic (boxed) or Real Wood Log Set (fitted,complete)  
Instruction Manual  
Glass clamp  
Fixing Plates x 6 off

### IMPORTANT

**PLEASE READ THESE INSTRUCTIONS CAREFULLY BEFORE INSTALLATION AND USE OF THIS ELECTRIC FIRE AND RETAIN FOR FUTURE REFERENCE.**

Children of less than 3 years should be kept away unless continuously supervised. Children aged from 3 years and less than 8 years shall only switch on/off the fire provided that it has been placed or installed in its intended normal operating position and they have been given supervision or instruction concerning use of the fire in a safe way and understand the hazards involved. Children aged from 3 years and less than 8 years shall not plug in, regulate and clean the fire or perform user maintenance. This fire is not intended for use by persons (including children) with reduced physical, sensory or learning disabilities, or lack of experience and

## **IMPORTANT SAFETY ADVICE**

### **WHEN USING AN ELECTRIC FIRE, BASIC PRECAUTIONS SHOULD ALWAYS BE FOLLOWED TO REDUCE THE RISK OF ELECTRIC SHOCK AND INJURY TO PERSONS, INCLUDING THE FOLLOWING IMPORTANT SAFETY ADVICE.**

**DO NOT** cover the heater, to avoid overheating of the product.

**DO NOT** leave the heater unattended while it is in use. Always turn the fire to the OFF position and switch off at the mains socket when not in use.

**DO NOT** leave children unsupervised whilst the fire is switched on.

**DO NOT** operate this fire with a damaged cord or plug, or after the fire malfunctions, has been dropped or damaged in any way. Contact the manufacturer.

**DO NOT** install a timer switch to operate the fire.

**DO NOT** insert or allow objects to enter any ventilation or exhaust openings on the fire. To prevent a possible fire do not block air intakes or exhaust openings in any manner.

**DO NOT** place this fire near flammable materials, surfaces or substances, as there may be a risk of fire. Keep flammable materials, surfaces or substances at least 1 metre away from the front of the product.

**DO NOT** switch on the fire if volatile vapours are present in the room.

**DO NOT** use this fire in any areas where petrol, paint or other flammable liquids are stored e.g. a garage or a workshop as the fire contains components capable of producing a spark.

**DO NOT** touch any hot surfaces such as the heater vent when the heater is in use to avoid burns and personal injury.

**DO NOT** install the heater immediately below an electrical socket outlet.

**DO NOT** use outdoors.

**CAUTION** - Some parts of this product can become hot during use and cause burns. Particular attention has to be given where children and vulnerable people are present.

**This electric fire is for household use only**

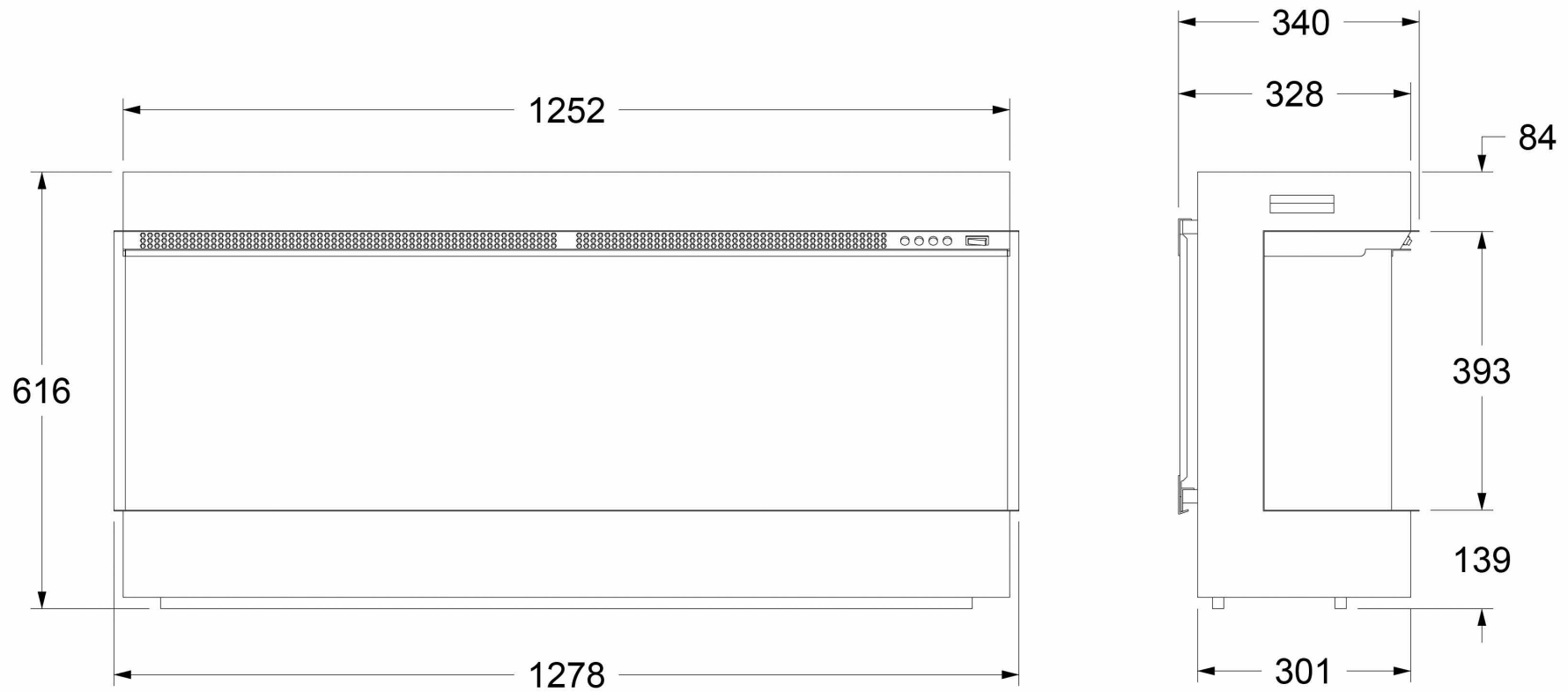
## **PRODUCT TECHNICAL DATA SHEET**

<b>Supplier Name / Trademark</b>	Celsi	Celsi	Celsi	Celsi
<b>Supplier Model Identifier</b>	B-1035995 EDXB12RE EDXL12RE EDXR12RE EDXB12RE-NLD*	B-1035996 EDXB16RE EDXL16RE EDXR16RE	B-1035997 EDXB18RE EDXL18RE EDXR18RE	B-1036316 EDXB20RE EDXL20RE EDXR20RE
<b>Voltage</b>	230v AC 50HZ	230v AC 50HZ	230v AC 50HZ	230v AC 50HZ
<b>Fuse</b>	13 Amp (*16 Amp)	13 Amp	13 Amp	13 Amp
<b>Nominal Heat Output (Measured)</b>	2.0kW	2.0kW	2.0kW	2.0kW
<b>Minimum Heat Output (Indicative)</b>	1.0kW	1.0kW	1.0kW	1.0kW
<b>Maximum Continuous Heat Output</b>	2.0kW	2.0kW	2.0kW	2.0kW
<b>Auxilliary Electrical Consumption at Nominal Heat Output</b>	32W	32W	32W	32W
<b>Auxilliary Electrical Consumption at Minimum Heat Output</b>	32W	32W	32W	32W
<b>Auxilliary Electrical Consumption at Standby Mode</b>	1.5W	1.5W	1.5W	1.5W
<b>Type of Heat Output / RTC*</b>	With electronic room temperature control plus 7 day timer.			
<b>Other Control Options</b>	With adaptive start control			
<b>Manufacturers Name and Address</b>	BFM Europe Ltd. Gordon Banks Drive, Trentham Lakes, Stoke-on-Trent, Staffordshire, ST4 4TJ Tel: 01782 339000			

\*RTC = Room Temperature Control

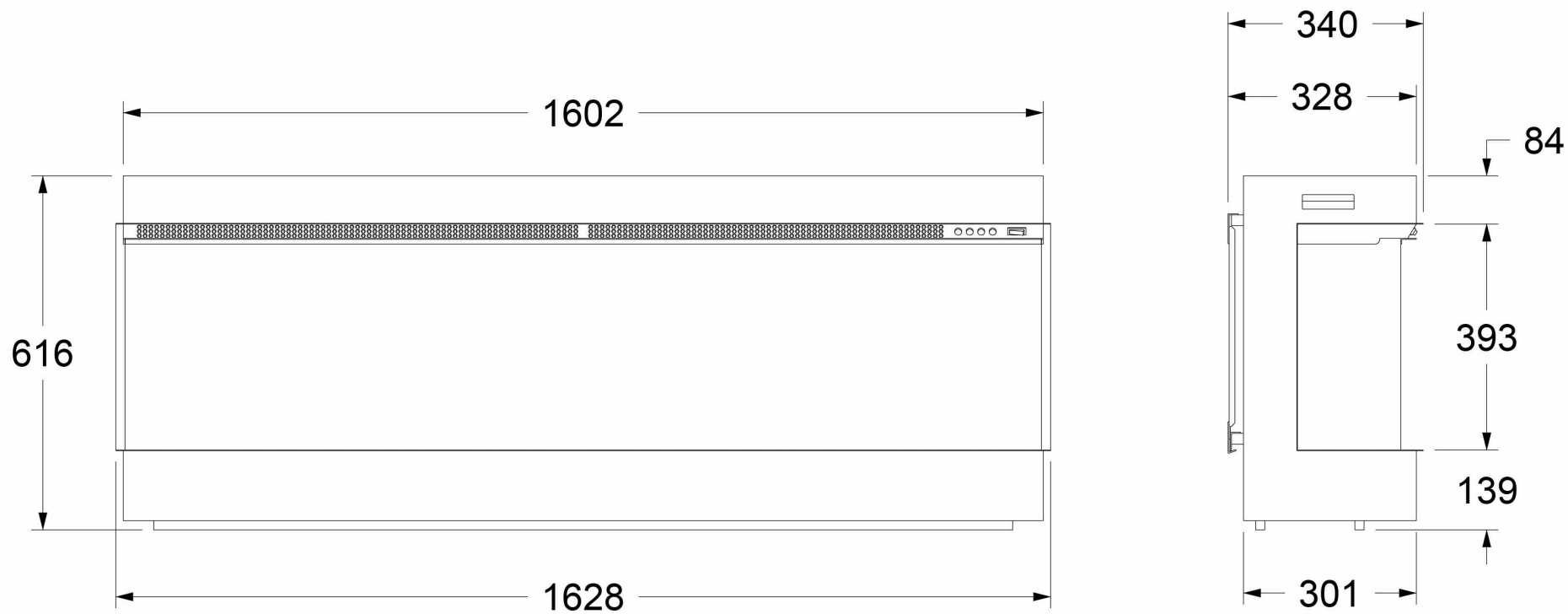
**Fig. 1 - EDXB12RE / EDXB12RE-NLD / EDXL12RE / EDXR12RE - Product Dimensions**

e-DLX 1250



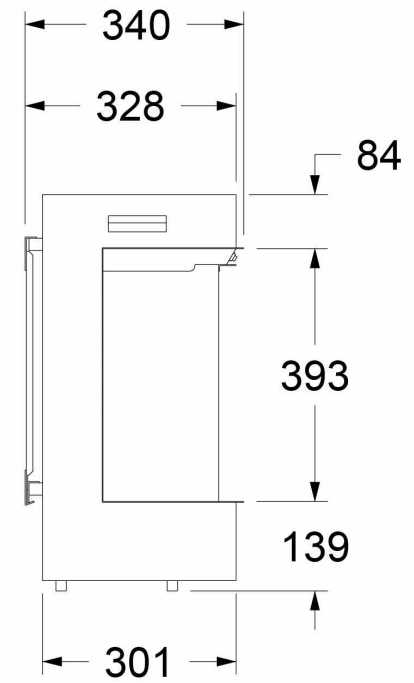
**Fig. 2 - EDXB16RE / EDXL16RE / EDXR16RE - Product Dimensions**

e-DLX 1600



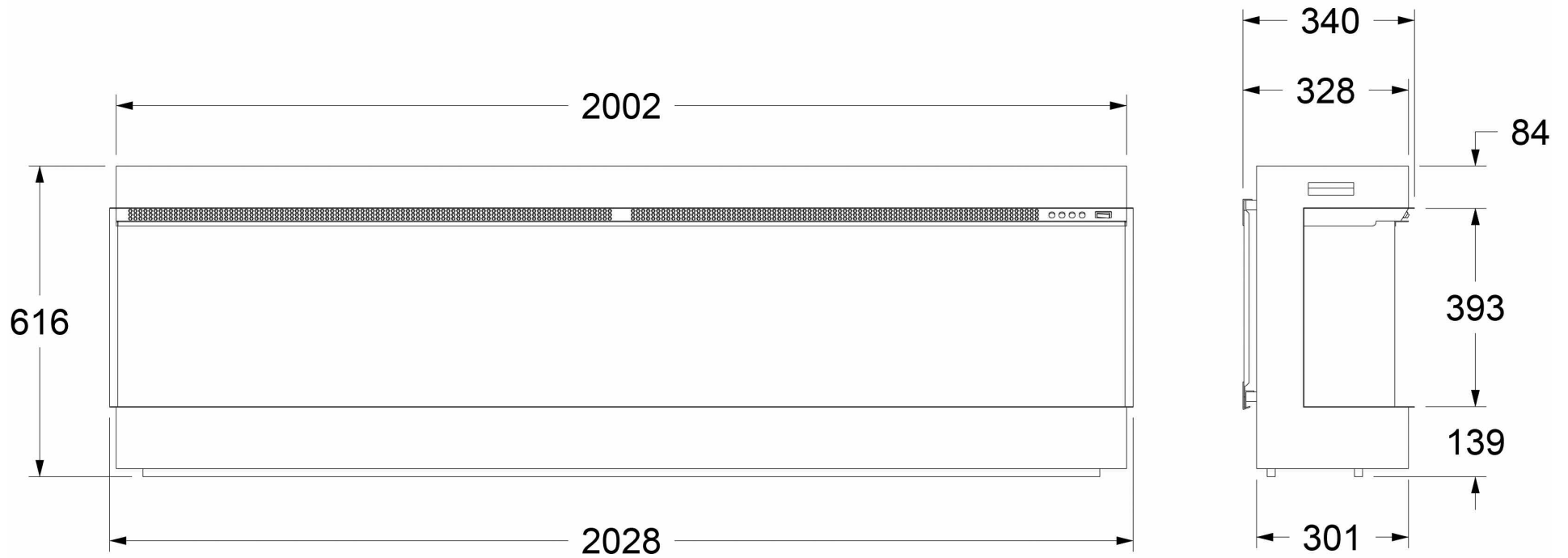
**Fig.3 - EDXB18RE / EDXL18RE / EDXR18RE - Product Dimensions**

e-DLX 1800



**Fig. 4 - EDXB20RE / EDXL20RE / EDXR20RE - Product Dimensions**

e-DLX 2000



## Unpacking

Remove and discard the plastic bag, please be responsible when handling the packing materials. Retain the original packaging for future transportation and/or storage. Check all accessories are removed from the packaging before storing it away for future use.

## **KEEP PLASTIC BAGS AWAY FROM CHILDREN!**

## Choosing a suitable location

This electric fire is designed to be fitted into a studded wall or wall hung, mounted to a solid wall using the wall mounting bracket as fitted to the rear of the fire.

The appliance must be kept away from any source of damp or moist conditions. Avoid any close contact with water. The wall must be of sound construction and all fixings used must be suitable for the type of wall. If there is any doubt regarding the suitability of the installation site please contact your supplier.

From the front of the fire ensure that there is a minimum clearance of 50mm between any non-combustible materials. For combustible material clearances please consult with the manufacturer.

The fire can be connected direct or plugged into a mains socket which can be sited on the right hand side of the fire. Ensure that the plug socket-outlet connection for this appliance is accessible. It MUST be readily accessible for easy electrical isolation in the event of servicing and replacing components etc. This appliance MUST NOT be located immediately below an electrical socket-outlet.

## Installation

Installation must be carried out by a qualified and competent person. Connect the appliance to single-phase AC supply of the voltage specified on the rating plate.

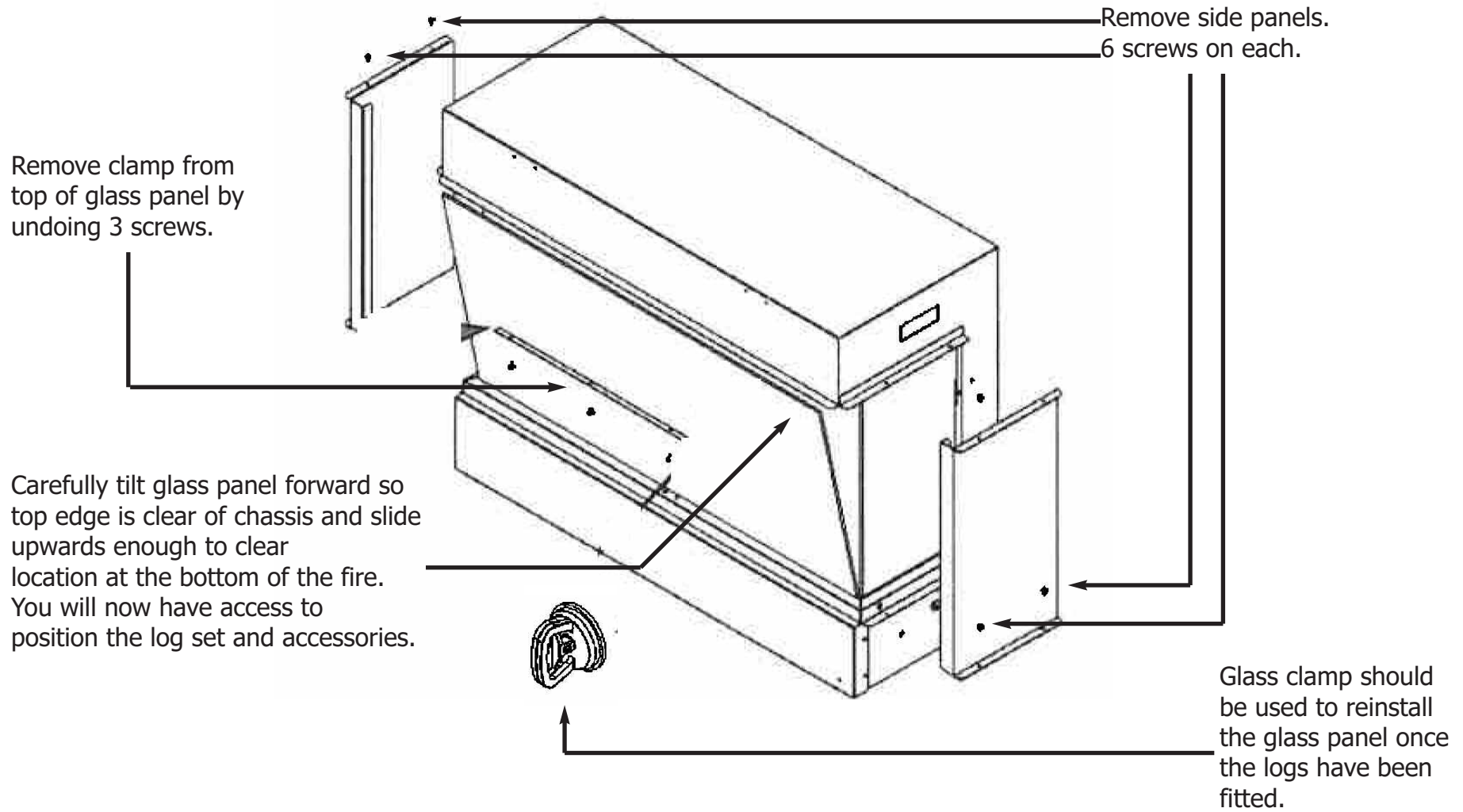
Should the fire be connected directly into the mains supply, then a fused switched spur with a 13 amp fuse (16 Amp NLD models) must be fitted. It is imperative that the power supply is capable of handling a load of 1800 watts (1.8kw). This appliance must be earthed. Allow sufficient flex to enable the fire to be removed from the wall. **Do not use an extension lead.**

**Always ensure that all electrical work complies with the relevant Building Regulations and the Electrical Code of Practice. All electrical work should be carried out by a qualified electrician.**



## Unpacking the product

Fig. 5

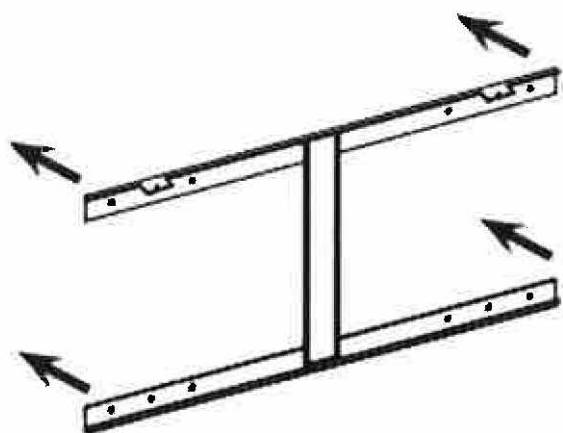


## Wall Mounting

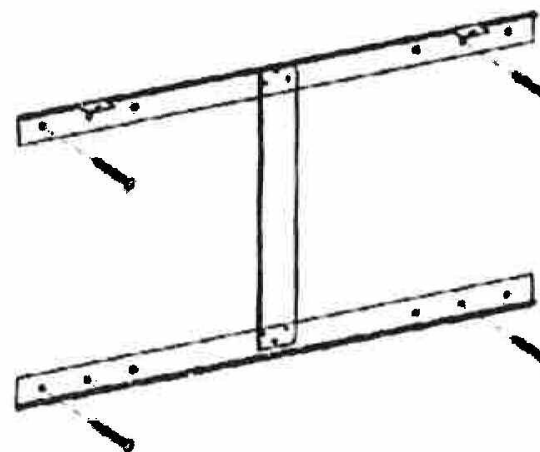
Using a screwdriver remove the three screws that secure the wall mounting bracket to the top of the appliance and remove the wall mounting bracket and keep in a safe place.

Position the mounting bracket where the appliance is to be installed on the wall and ensure that the bracket is level. Mark using the 32 holes as necessary on the wall mounting bracket as shown below in figure 6 & 7.

**Fig. 6**



**Fig. 7**

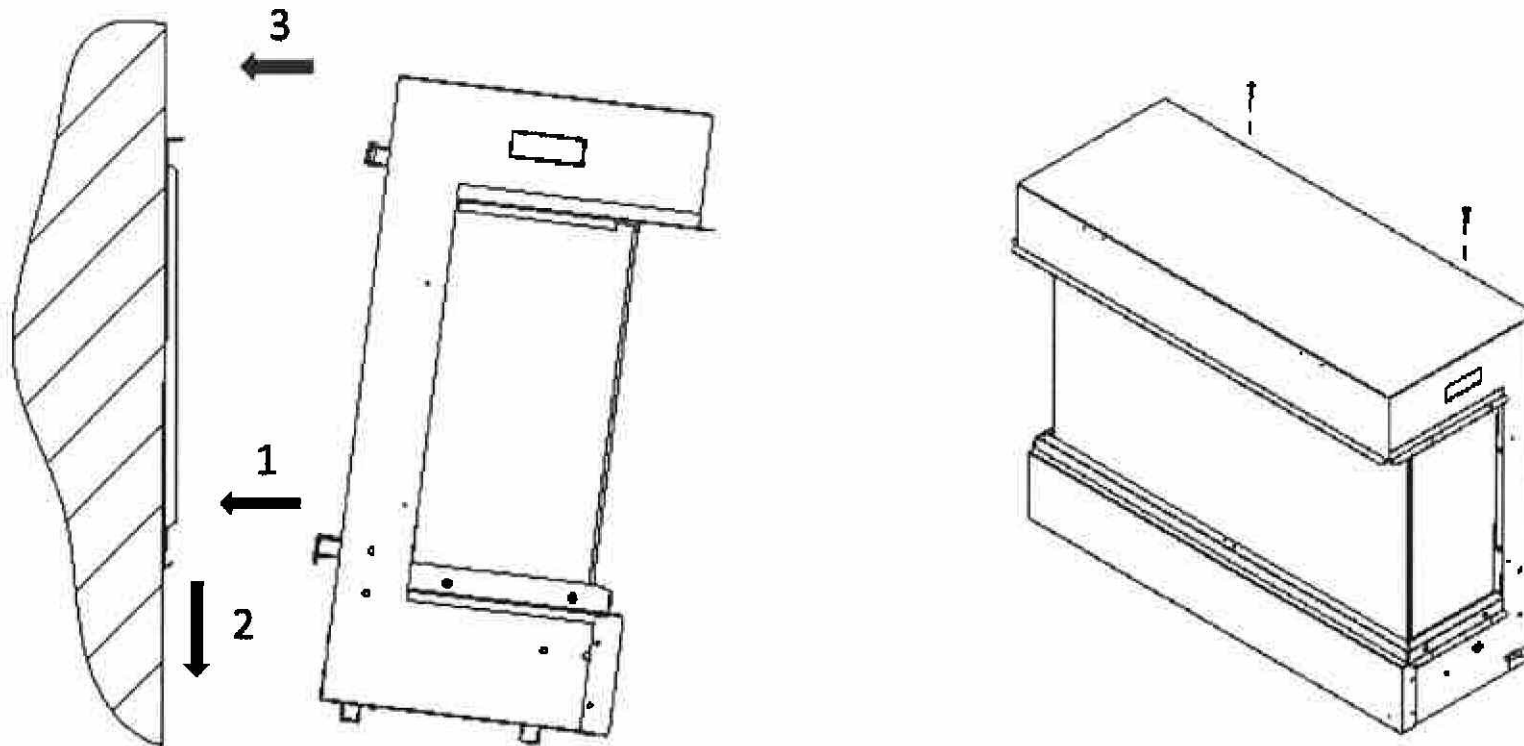


Fix bracket to wall using suitable size screws and wall plugs appropriate for the walls construction. Note heavy duty wall anchors or equivalent should be used when installing onto hollow/studded walls.

Follow instructions as detailed overpage in figure 8.

- 1.) Hook unit onto bottom of bracket as indicated below in figure 8.
- 2.) Push unit into mounting bracket as indicated below in figure 8.
- 3.) Secure with two off screws at top as indicated below in figure 8.

**Fig. 8**



## Stud Wall Installations

The wall must be of sound construction and all fixings used must be suitable for the type of wall. If there is any doubt regarding the suitability of the installation site please contact your supplier.

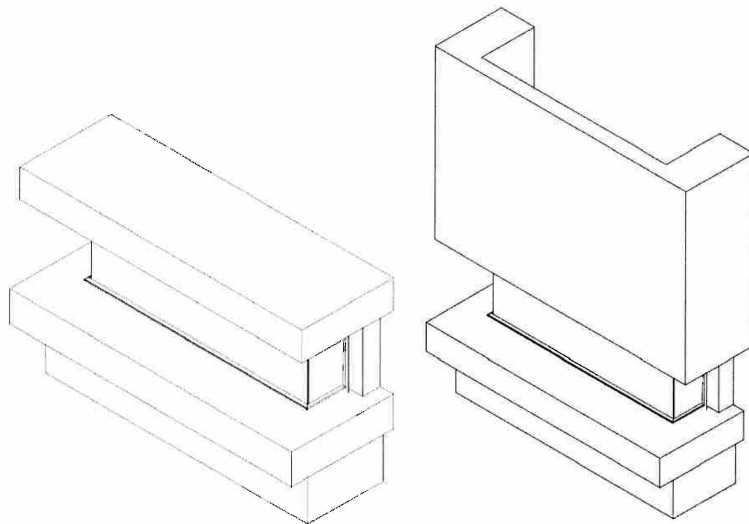
From the front of the fire ensure that there is a minimum clearance of 50mm between any non-combustible materials. For combustible material clearances please consult with the manufacturer.

The fire can be connected directly into a fused spur or plugged into a mains socket which can be sited on the right hand side of the fire.

Ensure that the plug socket-outlet connection for this appliance is accessible. It **MUST** be readily accessible for easy electrical isolation in the event of servicing and replacing components etc.

This appliance **MUST NOT** be located immediately below an electrical socket-outlet. Please see figures 1, 2, 3 & 4 for the relevant dimensions of the product which you are creating the stud work to install the appliance into, figure 9 below provides installation examples.

**Fig. 9**



Please Note : The product can be installed as either a 3 sided (as shown opposite) or as a 2 sided unit (left hand or right hand) dependent upon customer preference.

Use the side brackets as shown in figure 5 to create the aesthetic look required for a L/H or R/H 2 sided installation.

Please Note : 6 off fixing brackets are supplied with the product to assist with fixing to stud wall installations via the holes on the front of the fire.

When the desired installation type is achieved follow the decorative ceramic logs as shown in the fuel-bed packs themselves:

<b><u>Product Model No.</u></b>	<b><u>Product Description</u></b>	<b><u>Ceramic Fuel-bed Part No.</u></b>
EDXB12RE / EDXB12RE-NLD / EDXL12RE / EDXR12RE	Electriflame e-DLX 1250	B-1036371
EDXB16RE / EDXL16RE / EDXR16RE	Electriflame e-DLX 1600	B-1036372
EDXB18RE / EDXL18RE / EDXR18RE	Electriflame e-DLX 1800	B-1036373
EDXB20RE / EDXL20RE / EDXR20RE	Electriflame e-DLX 2000	B-1036374

**Please Note :**        **The Real wood fuel-beds are hand crafted items manufactured from real wood logs and supplied as either one piece moulded items or on EDXB12/16/18/20RE models as loose logs. They will therefore differ due to natural variance in the type of hardwood used, the layouts are intended as a fitting guide and will not fully replicate the items shown in the images.**

## Operating the Fire

This fire can be operated using 4 methods:

**Manual Control** using the controls on the fire.

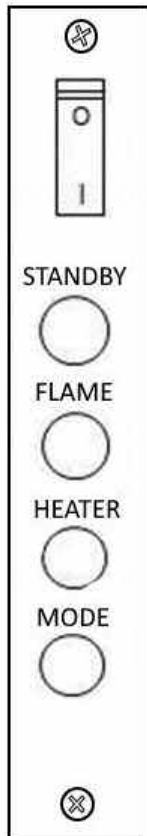
**Remote Control** using the included remote-control handset.

**Celsi App Control** using smartphone or tablet voice control, Alexa or Google Assistant.

### Manual Control

This fire can be operated manually using the control panel as shown below in figure 10.

**Fig. 10**



**Heater** - Please note the heater will only operate when the room temperature is below the temperature set on the handset, which can be adjusted using the remote control or app. When the heater switches off, the fan will still continue to run for a short period to allow the fire to cool down.

#### **ON / OFF Power Switch**

This switch is used to turn the mains supply to the fire ON or OFF. This needs to be in the ON position for both manual operation.

#### **STANDBY**

Used to switch fire ON or OFF into standby mode.

#### **FLAME**

Pressing this button will cycle through the 4 different flame brightness levels.

#### **HEATER**

Use this button to select Low Heat, High Heat or heater OFF. When LOW heat is selected the indicator light will glow seconds. When HIGH heat is selected the indicator light will glow red for 5 seconds.

#### **MODE**

Use this button to cycle through and select 1 of the 16 preset LED colour combinations. Press and hold until a confirmation beep is heard to set on 'Colour Animation' mode to slowly cycle through all the colour combinations.

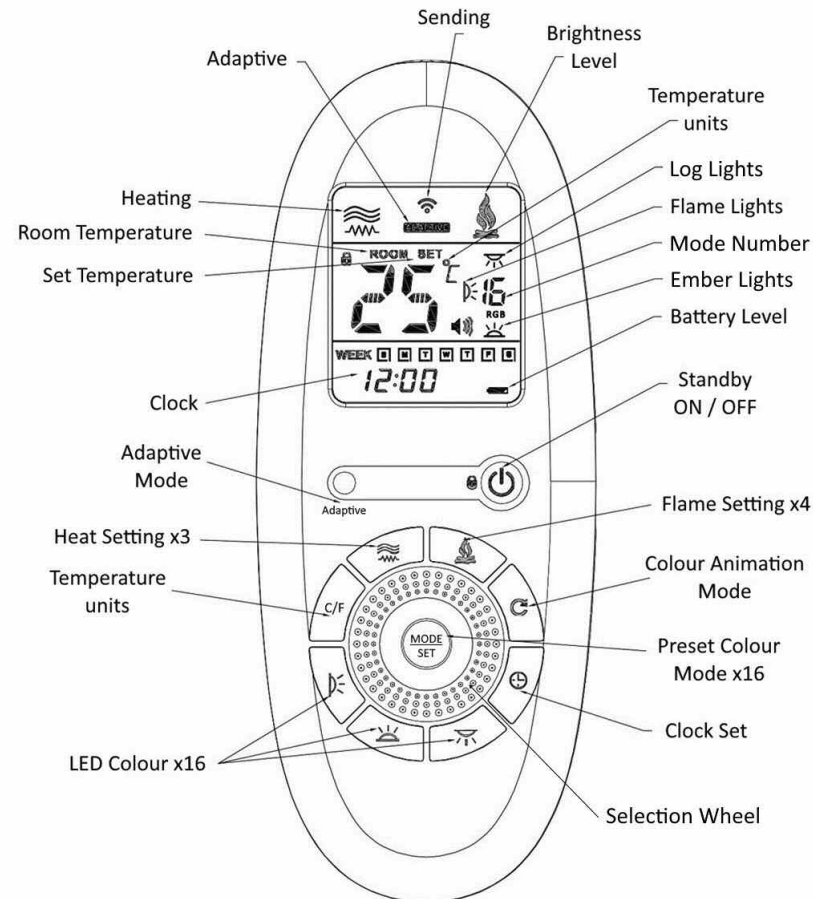
## Remote Control

Remove the battery cover on the rear and insert 3 x AAA batteries ensuring the batteries are fitted correctly. Refit the cover. Please ensure old batteries are disposed of responsibly by contacting your local authority about recycling schemes.

Ensure that the ON / OFF Power Switch on the fire is in the ON position.

Before the handset as shown below in figure 11 can be used the current day and time will need to be set (see clock setting instructions on the next page).

**Fig. 11**



To use the remote handset ensure it is pointed directly towards the fire and press the appropriate button to operate the fire.

## Operating the Fire and Child Lock mode



1. Use the On/Off button to switch the fire On and Off.
2. Holding the button in for 5 seconds will enable the Child Lock mode (a padlock will appear on the handset display).
3. To disable the child lock press the On/Off button once.  
*Note: that after a short period of time the handset will automatically enable the Child Lock mode.*

## Clock Setting



1. Press the Clock Set button, which will start the day cursor to blink. Using the selection wheel rotate to the current day e.g. S M T W T F S, then press the Clock Set button to confirm.
2. The hour will now be blinking, set using the selection wheel and confirm using the Clock Set button.
3. The minute will now be blinking, set using the selection wheel and confirm using the Clock Set button.

## Flame Setting



1. Pressing this button will cycle through the 4 brightness settings of the LED flame effects.

## Heat Setting



1. Use to change the heater setting from LOW, HIGH and OFF.
2. When the heater is ON the actual room temperature is displayed on the handset.
3. By using the selection wheel you can set the desired temperature, this will save after 5 seconds and the room temperature will be displayed.

*Note: the heater will only operate when the room temperature is below the temperature set on the handset. When the heater switches off, the fan will still continue to run for a short period to allow the fire to cool down.*

The displayed temperature can be displayed in Celsius or Fahrenheit. To change use the Temperature units button



## LED Colour Settings

1. Press the Mode/Set button and use the selection wheel to select one of the 16 preset LED colour combinations (the preset number will be displayed on the handset), press again to lock the selection.

If preferred, the LED colour settings can be changed individually for the

Flame



Logs



Ember



Press the one of the buttons above (symbol will flash on display) and use the selection wheel to select your required colour setting for the specific lighting function, press again to lock the selection.

Alternatively the fire can be set to Colour Animation mode



1. Pressing the Colour Animation mode button will set the Lighting to a red glow and then will slowly cycle through the 16 preset colour combinations.
2. Press the Colour Animation mode to exit the animation mode.

## Adaptive Mode

1. Adaptive mode works in conjunction with the timer programmes. When Adaptive model is turned ON the fire monitors the room temperature in relation to the selected target temperature. If the room temperature is sufficiently lower that the selected temperature the Adaptive mode will instruct the fire to switch on up to 10 minutes earlier than the set time to ensure the room is at the required temperature at the set time.

## Celsi App Control

1. The Celsi app can be downloaded from the IOS App Store or the Google Play Store by either searching for Celsi or by scanning the QR code using a smart phone or tablet.



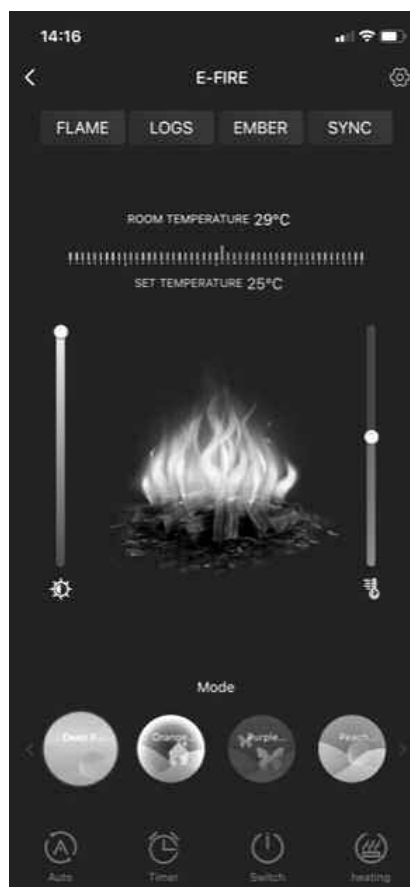
The Celsi app can be used alongside the remote handset and provides additional feature of 7 day Timer function.

**\*\* During the initial set up of the App, the fire needs to be in pairing mode \*\***

## Pairing Mode

With the fire off and in Standby mode press and hold the Standby button on the fire to hear a beep and continue holding for 5 seconds to observe a red flashing light on the rear screen. When this light is flashing the product is in pairing mode.

**Fig. 12**



## App Setup

1. Open the app and when prompted either create a new Celsi account or Login using your existing account details.
2. Once logged in, accept the notification to allow permission for the Celsi app to access Notifications and Bluetooth.
3. On your smart device ensure that Bluetooth and Wi-Fi are switched ON.
4. Ensure the fire is in pairing mode.
5. On the app the All Devices screen will be displayed. Press the + button at the top R/H corner.
6. Allow the app to connect to devices on local network.
7. Click on Add button to discover devices.
8. Click on Manual Input and add the name and password of the Wi-Fi network you are connecting the fire to.
9. Follow the on screen instructions to add device.

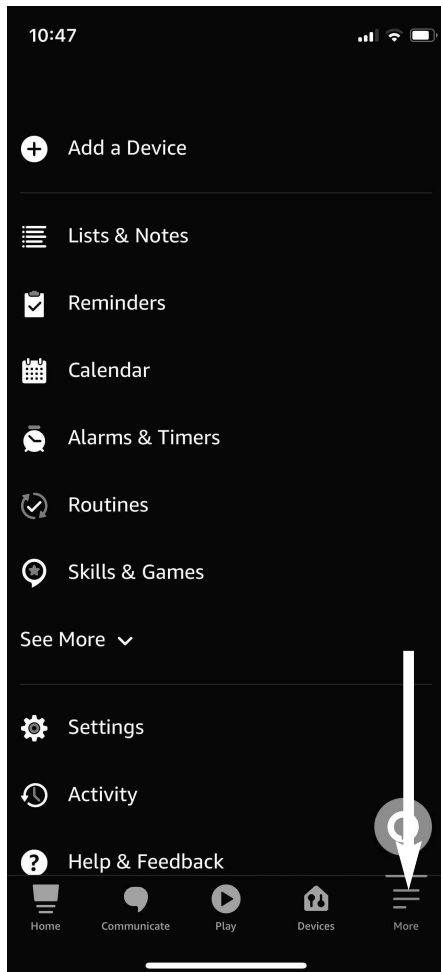
## Using the App

1. The Home page of the app will allow you to operate and customise the appearance of your fire using the touchscreen interface as shown opposite in figure 12.
2. The app has all the same features as the remote handset along with an additional 7 day Timer function. Using this function you can set timers for the fire to switch on at a given time day / time.
3. Further information is available within FAQ section of the app.

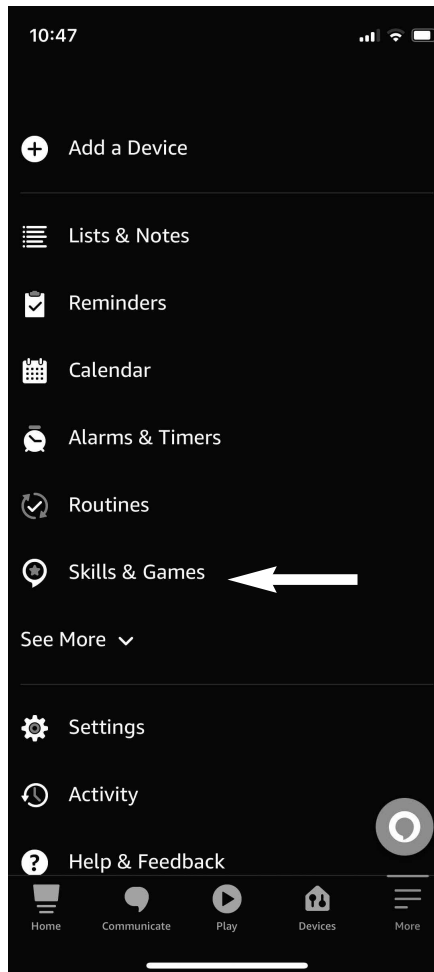
## Connection to Alexa

1.) Once you have set up your Celsi account and successfully paired your device you can now also connect to Alexa.

**Fig. 13**



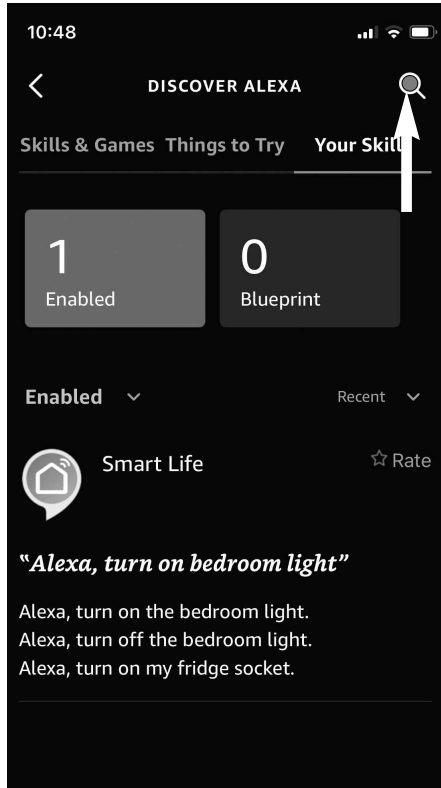
**Fig. 14**



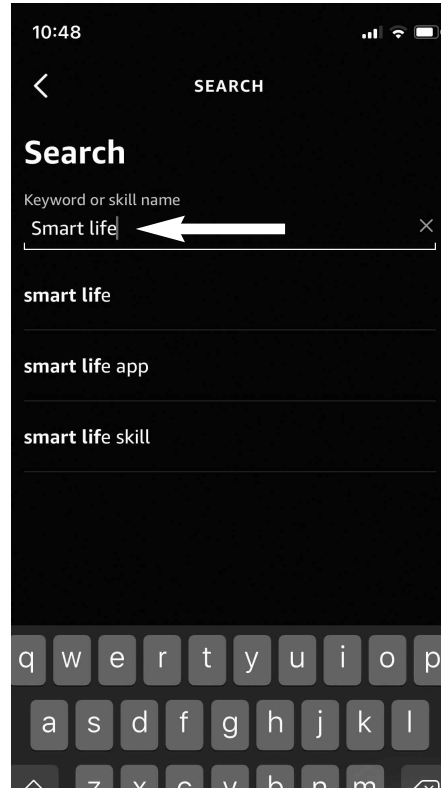
2.) To connect, open the Alexa App and select the "More" tab in the bottom right hand corner as shown in figure 13 above, then select the "skills and games" tab as indicated in figure 14 above.

- 3.) Then click the "search" icon in the top right hand corner as shown below in figure 15, then search for the "smart life" skill by typing "smart life" into the search box as shown below in figure 16.
- 4.) Install onto your device by clicking the "smart life" icon shown below in figure 17, then the "enable to use" icon as shown in figure 18.

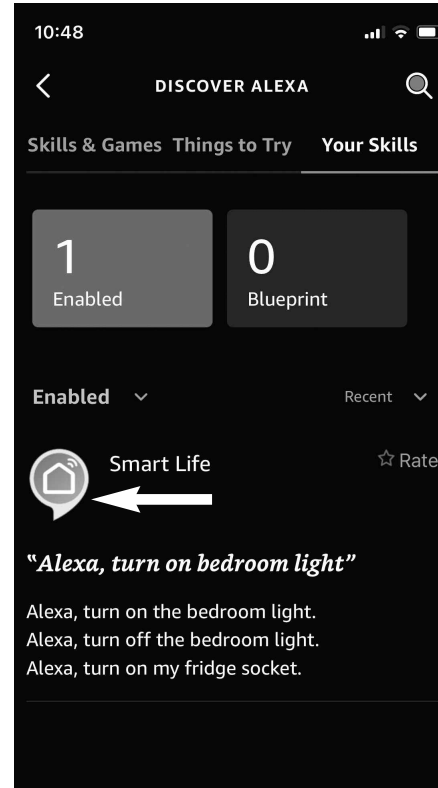
**Fig. 15**



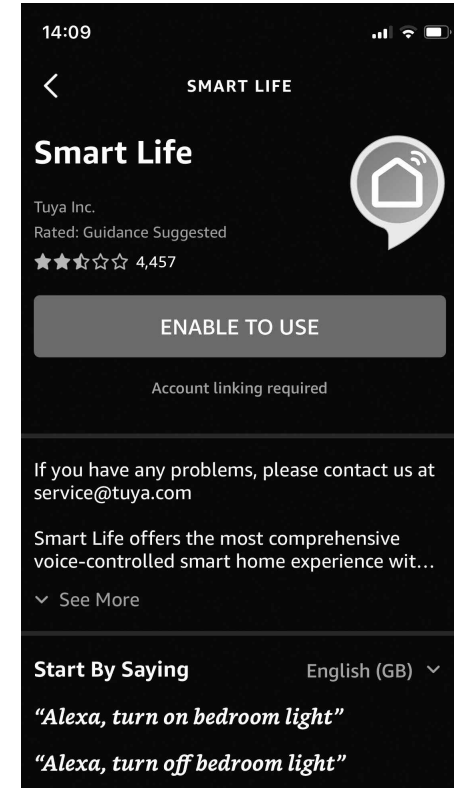
**Fig. 16**



**Fig. 17**

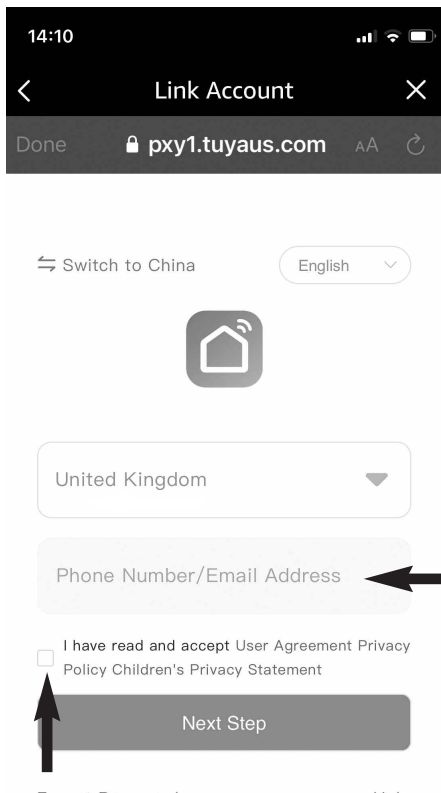


**Fig. 18**

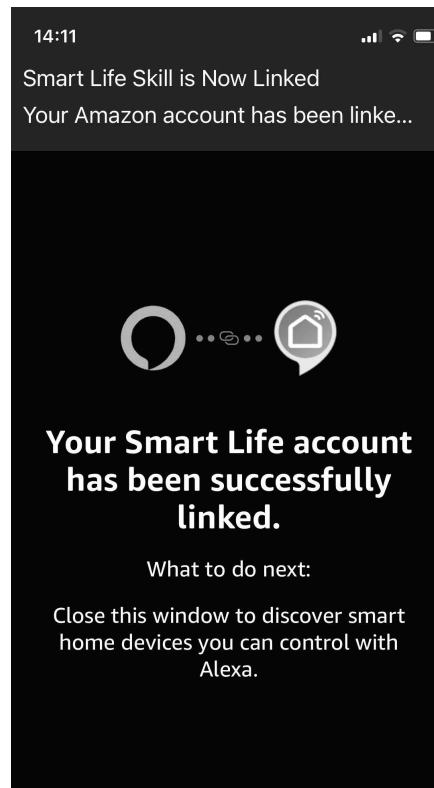


- 5.) This will prompt you for your e-mail address and password that you used when registering the Celsi APP as shown below, enter the e-mail address and tick the user agreement box as indicated below in figure 19.
- 6.) Complete the verification puzzle as prompted, then enter your password and complete a second verification puzzle as requested.
- 7.) This will then bring up the confirmation page that the account has been successfully linked as shown below in figure 20.

**Fig. 19**



**Fig. 20**

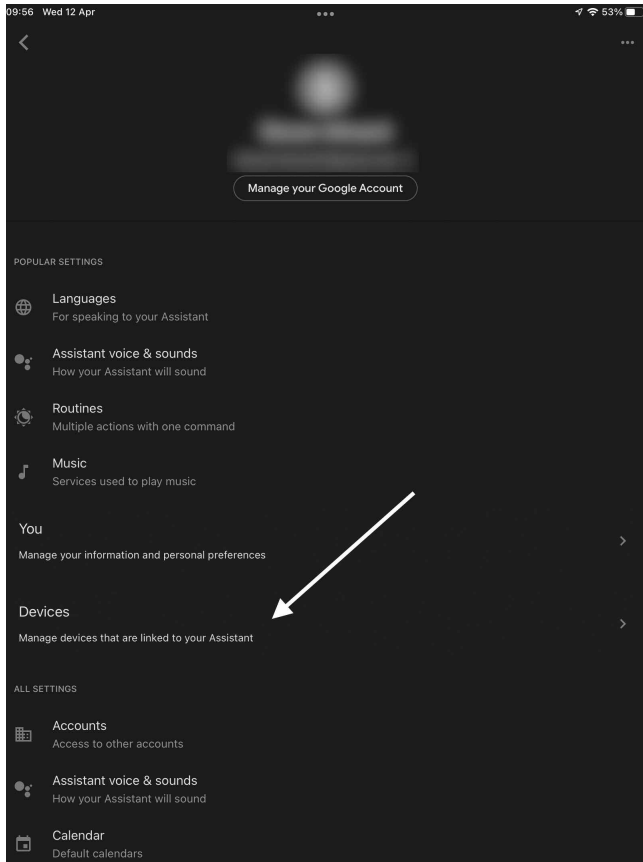


- 8.) The product should then operate from voice activation. i.e. "Alexa, turn fire on", "Alexa, turn fire off".

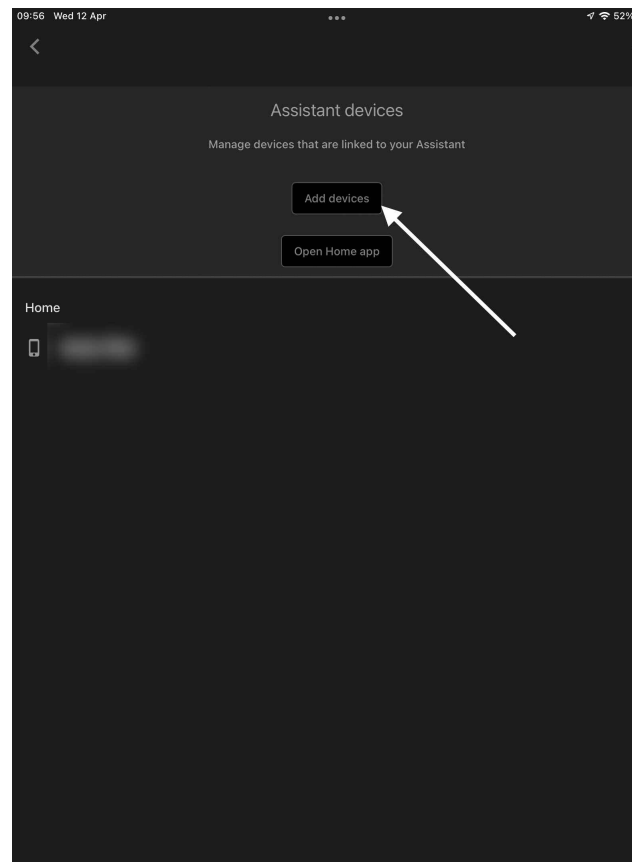
## Connection to Google Assistant

1.) Once you have set up your Celsi account and successfully paired your device you can now also connect to Google Assistant.

**Fig. 20**



**Fig. 21**

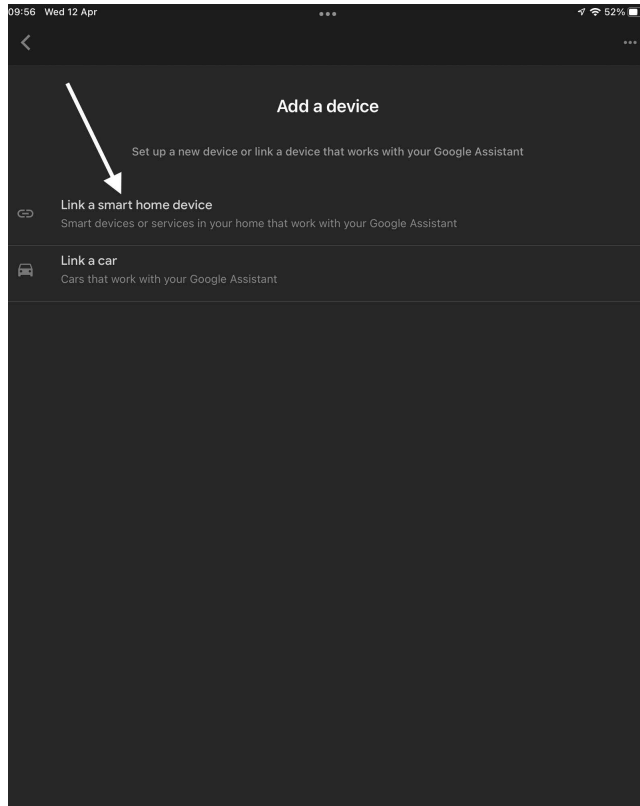


2.) To connect, open the Google Assistant App and select the "Device" tab on the left hand side as shown above in figure 20, then click the "add devices" tab when prompted as shown above on the right in figure 21.

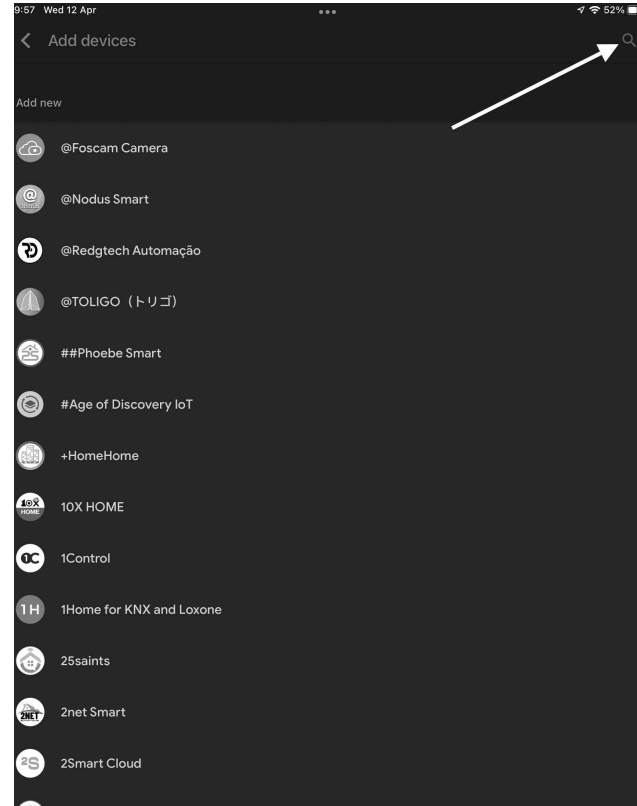
3.) Then select the "link a smart home device" tab as indicated overpage in figure 22.

4.) Select the "link a smart home device" tab as indicated below in figure 22.

**Fig. 22**

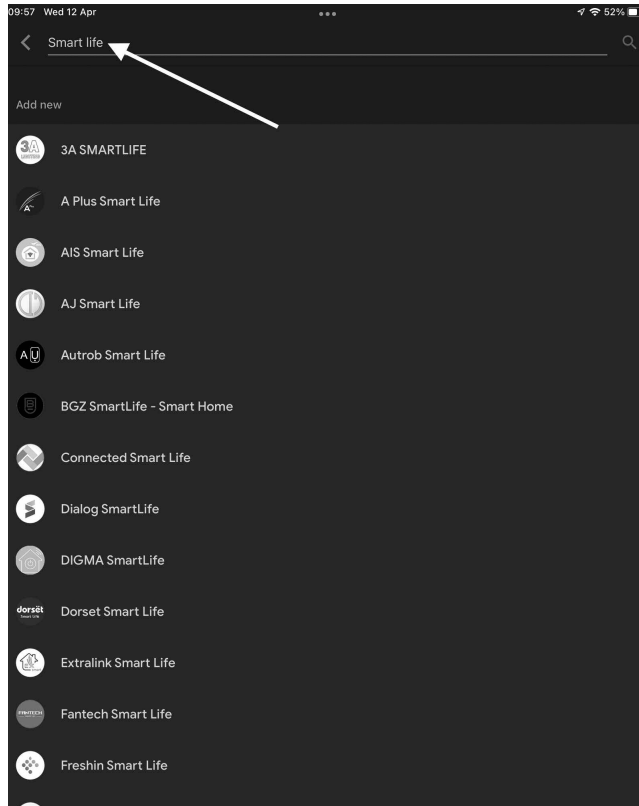


**Fig. 23**

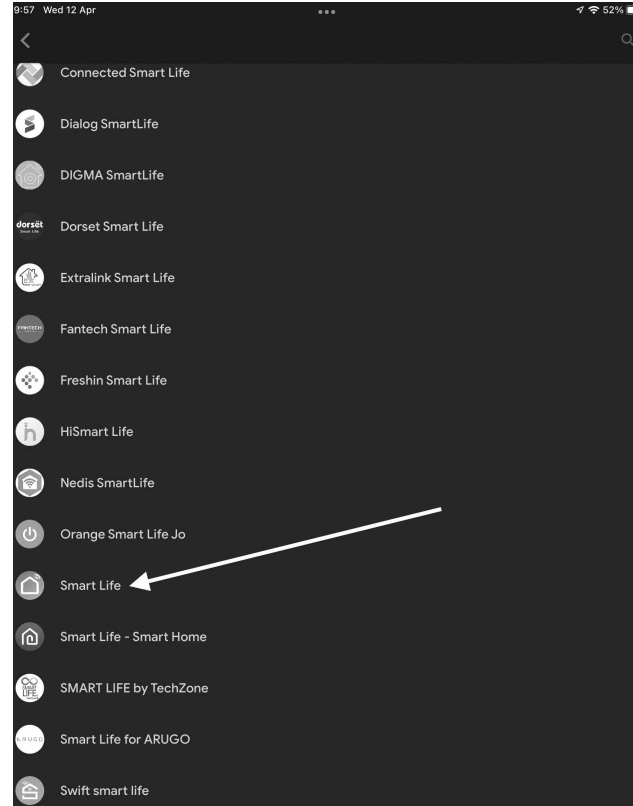


5.) Click the "search" icon in the top right hand corner as shown figure 23 below, then enter "smart life" as the searched for as shown in figure 24. Select the "smart life icon as shown in figure 25 below.

**Fig. 23**



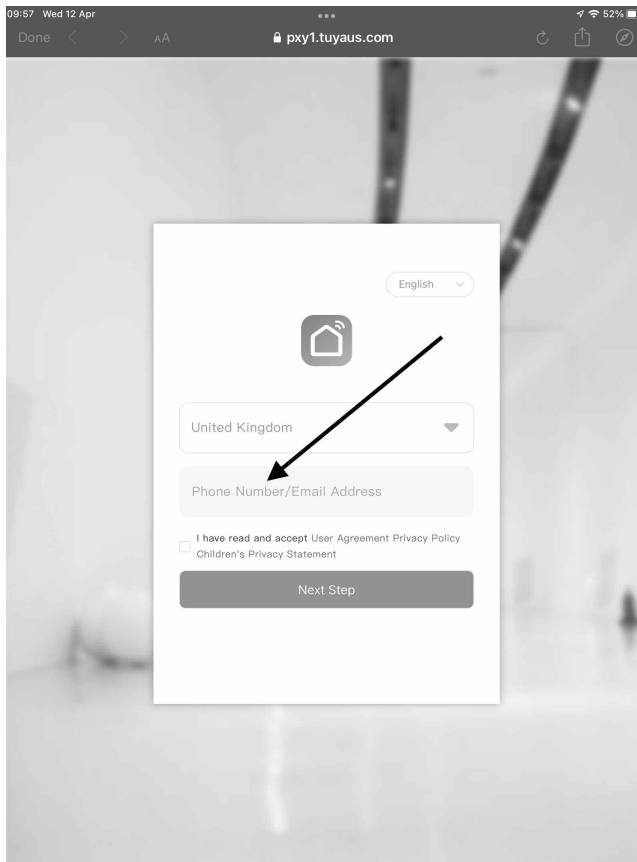
**Fig. 24**



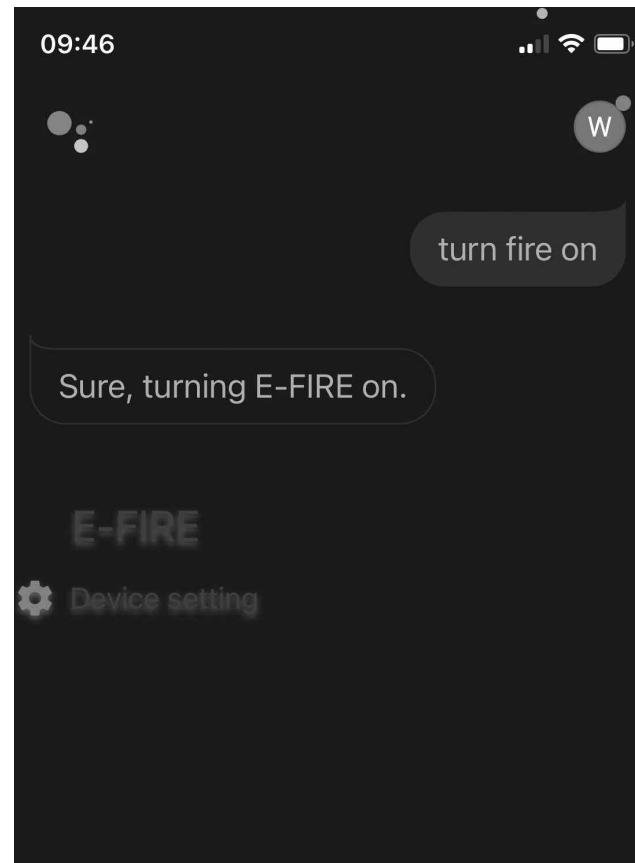


- 6.) This will prompt you for your e-mail address and password that you used when registering the Celsi APP as shown below, enter the e-mail address and tick the user agreement box as indicated below in figure 25.
- 7.) The product should then operate from voice activation, open the google assistant app, click then click the microphone logo at the bottom centre and give instruction i.e. "turn fire on", "turn fire off" as shown in figure 26 below.

**Fig. 25**



**Fig. 26**



## IMPORTANT

This fire is fitted with an automatic thermal cut-out safety feature to reduce the risk of damage to fire due to overheating. If the fire overheats the heater element will cut out whilst the fan will still continue to run to allow the fire to cool down sufficiently.

Once the fire has cooled down the thermal cut-out will reset itself and switch the heater back on. If the problem persists switch the fire off and disconnect the power at the switch and plug socket. Check that the heater warm air outlets and the inlets are not obstructed (the outlets and inlets are situated on the underside of the fire body).

If the heater is still not operating correctly disconnect the fire and seek expert advice.

## Maintenance Instructions

Always remove the plug from the socket-outlet and allow the heater to cool down before cleaning. User maintenance should only be carried out by a competent person.

Light accumulated dust may be removed from the fire with a soft dry cloth.

The exterior surface of the fire can be cleaned with a soft damp cloth (not dripping wet). Dry the exterior surface before operating the heater.

Household glass cleaner can be used on the fire glass.

## WARNING!

Do not immerse the heater in water.

Do not use any cleaning chemicals such as detergents and abrasives.

Do not allow the interior to get wet as this could create a hazard.

In the event of malfunction contact the manufacturer, do not try to repair the heater yourself as this may result in a fire hazard or electric shock.

## Environment



Do not dispose of electrical appliances as unsorted municipal waste. Use separate collection facilities. Contact your local government for information regarding the collection services available in your local area. If electrical appliances are disposed of in landfills or dumps hazardous substances can leak into the groundwater and get into the food chain, thus damaging your health and wellbeing. When replacing old appliances with new ones the retailer is legally obligated to take away your old fire for disposal free of charge.

## Warranty

Congratulations on the purchase of your electric fire. This fire by BFM Europe Ltd is guaranteed for 5 years from the date of purchase against faulty materials or workmanship. Please note the 5 year guarantee comprises of 24 months of parts and labour with an extended 36 months of parts only. If your fire is found to be defective within 24 months from the date of purchase, we or our authorized agent will repair the faulty component on site. If the product is purchased in the EU please consult the guarantee card that is supplied with your product by the approved Celsi Fires retailer for warranty terms and conditions. This warranty does not cover consumable items which have a limited lifespan. If a problem should occur, the nature of the problem together with the date of purchase and installer information should be immediately reported to the retailer that the fire was purchased from. Proof of purchase will be required so the original invoice should be retained.

**B-1036380**

**Issue 8**



BFM Europe Ltd  
Gordon Banks Drive  
Trentham Lakes  
Stoke-on-Trent  
ST4 4TJ

Technical Queries: 01782 339039  
Service Fault Enquiries: 01782 339008

**Spare Parts - [www.bfm-partfinder.co.uk](http://www.bfm-partfinder.co.uk)**