



CELSI 
...the future of fire



PREMIUM ELECTRIC FIRES COLLECTION 2024/25





WELCOME TO CELSI

At Celsi we know how important it is to create a stylish and relaxing living environment. That's why we've developed this collection of premium electric fires.

I believe our success stems from a combination of innovative design, investment in technology and the highest quality manufacturing standards. To reflect my belief in their quality and durability, Celsi fires carry a minimum of 3 years warranty, subject to terms and conditions.

This brochure has been designed to make the purchase of your new Celsi heater as simple as possible. I hope you find it both informative and inspiring.

There is no more versatile fuel for home heating than electricity

With a range that includes beautifully crafted electric suites, feature wall smart fires, classically styled hearth inset fires, and contemporary stove designs, there is a Celsi fire to suit any home. Best of all you are free to enjoy any of these fantastic heating appliances in any room in your home simply by plugging into the nearest mains socket.

To learn more about the features and benefits of owning a Celsi electric fire please sit back and take a few moments to look through our Advanced Features section, along with our technology introduction to assist you in choosing your perfect Celsi fire experience.

ADVANCED FEATURES



THERMOSTATIC HEATING

Pre-set your heat comfort level for automatic temperature control via the handset.



TIMER FUNCTION

Programmable 7-day heating timer with hourly on/off control. Up to 8 hrs sleep timer facility available on some models.



LED EFFICIENCY

Flame picture, fuel bed brightness, mood lighting, our onboard LED's ensure effective energy saving low power consumption.



ISOFLAME

Independent flame effect capable of displaying in isolation when no heat is required from the appliance.



REAL WOOD

100% Real Wood Logs, natural, authentic, and unique. Accept no imitations!



FLAME FUSION

A captivating fusion of soft and natural yellow flames with an attractive flare of blue flame intensity.



COLOUR CYCLE

Fix your favourite or go dynamic as you cycle through an array of impressive colour changing options.



COLOUR SMART

16 colour vibrant presets with 100+ options to customise the light ambience on flames, logs, and ember beds.



MOOD LIGHTS

An ambient stream of colour-rich LED back lighting. Colours to compliment warm and cool interiors, or simply to suit your mood.



CELSI SMART APP

Control your Smart fire or stove from your phone or tablet with full handset functionality.

Voice control Alexa and Google Assistant compatible.



Scan QR code to download app.



Visit App Store or Google Play Store



3 year warranty subject to terms and conditions. Fire Surrounds and Fascias are subject to 12 months warranty.



Compliance with Electrical Energy Rated Product (ERP) Integrated design features for optimal energy saving performance and assurance.



Conformity assessed and certified UK & EU

SMART FUNCTIONALITY

CELSI
SMART

ELECTRIFLAME VR / ULTIPLAME VR / HOLOGRAM*3D

Our cutting-edge smart technology is now available across a diverse range of product categories, including 3-sided built-in fires, elegant Limestone and Premier board suites, as well as sophisticated wall inset fires and stoves. These electric models boast exceptional functionality and control, and their visual appeal is truly impressive. Best of all, they are user-friendly and efficient.



COLOUR

Enjoy 16 pre-set ambient colour modes, and over 100+ multi colour combinations to customise the light ambience on flames, logs, and ember beds. To simplify your choice why not relax with a slow cycle through the colour spectrum in our fully immersive Animation mode.



Controllable LED lights positioned above, beneath, and behind the fuelbed creates an illusion of hot embers, burning logs, and tall ascending flames that deliver a real fire experience. These lights operate with 16 preset colour selections, advanced automatic hue cycle, or custom interactive personal choice from 100+ colour preference on flames, logs, and ember bed.



CONNECTIVITY

Get connected with our feature-rich and simple to operate smart app. Available to download on the App Store, or get in on Google Play!



Scan the QR code to download our app



CONTROL

Control your fire from your smart phone or tablet with full handset functionality. Further applied smart technology allows you to voice control your fire using Amazon Alexa and Google Assistant.



Applied smart technology allows you to voice control your fire using Amazon Alexa and Google Assistant.

CONFIGURATION

Our range of built-in 3-sided glass models offer the perfect solution for your feature wall. Available in three sizes 1000, 1250, and 1600mm.

E-VR Commodus Smart fires are supplied with side blanking panels giving you the option to customise your installation by converting from a **3-sided** fire, to a **2-sided** left or right configuration, or to simply install as a **single glass fronted** wall inset fire.



E-VR Commodus 3-sided glass smart fires. Pages 52 - 57



SUITES



BUILT-IN & WALL FIRES



HEARTH FIRES



STOVES

Media Wall Suites

Media Wall S1600/S1250/S1000	8-11
------------------------------	------

Freestanding Suites - 3 sided

Sinartra S1250/S1000	12-13
Quantum S1250/S1000	14-15
Casino S1250/S1000	16-17
Media 750	18
Carino 750	19

Freestanding Suites

Toronto 1000/ 800/S600	20-23
Orbital 1000/800	24-26
Vega 800	27
Luminaire 800/S600	28-29
Skyfall 800/S600	30-33
Adour 800/Adour S750	34-35
Adour S600XT/Adour S600	36-37
Canelo S600	38
Elara S600	39

Limestone Suites

Parada Elite 800	40
Avignon Elite 800	41
Aleesia S750	42
Asencio S600XT	43
Angelo S600	44
Boticelli S600	45
Pablo S600	46

Wall Suites

Volare 750	47
Firebeam 800XL/800	48-49
Firebeam S600XL/S600	50-51

Built-In Fires

Commodus S1600	52-53
Commodus S1250	54-55
Commodus S1000	56-57
1400	58
750	59

Wall Inset Fires

Vichy 800	60
Metz 800/Elite 800	61
Instinct 800	62
Evora S600XT/Asencio S600XT	63
Vader S750/Aleesia S750	64-65
Celena S600	66
Impulse S600	67

Wall Mounted Fires

Prestige	68-69
Travertine	70
Royal Botticino	71
Rapture	72
Enchant	73

Hearth Inset Fires

Acero	74-75
Parrilla	76-77
Arcadia	78
Decadence	79
Camber	80
Frontier	81
Essence	82
Designer	83
Endura	84
Contemporary	85

Stoves

H3D Hologram Genesis	86-87
Spectre	88-89
Stratford	90-91
Rochester	92-93
Arundel	94
Luxima	95
Metal 1 & 2	96-97
Glass 1 & 2	98-99

Dimensions	100-109
------------	---------



White & Acoustic Oak



Video

Specification

Suite Dimensions: mm	S1600: H 2200 x W 1800 x D360
Heat Output	0.8kW – 1.6kW
Suite Finish	
Premium Board	Smooth White & Acoustic Oak EFVR16RE-MWW
Model Number	Cupria Slate EFVR16RE-MWG



MEDIA WALL S1600

Electriflame VR Media Wall Suites

Features

- Flame Projection Technology
- 3 sided glass smart fire
- Customisable fuel effect
- Woodland & Silver birch log effect
- Crystal ash embers
- 16 pre-set colours/100+ custom/Animation mode
- LED brightness control
- Thermostatic remote & manual control operation
- Amazon Alexa and Google Assistant compatible
- Suitable for TV size up to 65 inches (TV not included)



CELSI SMART APP

Feature-rich and simple to operate. Control your fire from your smart phone or tablet with full handset functionality.



Cupria Slate



Video



S1250 - Cupria Slate

MEDIA WALL S1250/S1000

Electriflame VR Media Wall Suites

Features

- Flame Projection Technology
- 3 sided glass smart fire
- Customisable fuel effect
- Woodland & Silver birch log effect
- Crystal ash embers
- 16 pre-set colours/100+ custom/Animation mode
- LED brightness control
- Thermostatic remote & manual control operation
- Amazon Alexa and Google Assistant compatible
- S1250 - Suitable for TV size up to 55 inches
- S1000 - Suitable for TV size up to 50 inches (TV not included)



CELSI SMART APP

Feature-rich and simple to operate. Control your fire from your smart phone or tablet with full handset functionality.



S1000 - White & Acoustic Oak



Video

Specification

Suite Dimensions: mm	S1250: H 2200 x W 1550 x D360 S1000: H 2200 x W 1450 x D360
Heat Output	0.8kW – 1.6kW
Suite Finish	<div style="display: flex; align-items: center;"> <div style="width: 15px; height: 15px; background-color: #d9ead3; border: 1px solid #333; margin-right: 5px;"></div> Smooth White & Acoustic Oak </div>
Premium Board	S1250 - EFVR12RE-MWW S1000 - EFVR10RE-MWW
Model Number	<div style="display: flex; align-items: center;"> <div style="width: 15px; height: 15px; background-color: #333; border: 1px solid #333; margin-right: 5px;"></div> Cupria Slate </div>
	S1250 - EFVR12RE-MWG S1000 - EFVR10RE-MWG



Video

SINATRA S1250/S1000

Electrifiame VR Freestanding Smart Suites

Features

- Flame Projection Technology
- 3 sided glass smart fire
- Customisable fuel effect
- Woodland & Silver birch log effect
- Crystal ash embers
- 16 pre-set colours/100+ custom/Animation mode
- LED brightness control
- Thermostatic remote & manual control operation
- Amazon Alexa and Google Assistant compatible



CELSI SMART APP
Feature-rich and simple to operate. Control your fire from your smart phone or tablet with full handset functionality.



E-VR Sinatra S1000



E-VR Sinatra S1250



Video

Specification

Suite Dimensions: mm	S1250: H 750 x W 1500 x D360 S1000: H 750 x W 1245 x D360
Heat Output	0.8kW – 1.6kW
Finish Painted Premium Board	<input checked="" type="checkbox"/> Smooth White & Thunder Grey
Model Number	Sinarta S1250 EFVR12RE-WTG Sinarta S1000 EFVR10RE-WTG



Video

QUANTUM S1250/S1000

Electrifiame VR Freestanding Smart Illumia Suites

Features

- Flame Projection Technology
- 3 sided glass smart fire
- Dimmable LED surround lighting
- Customisable fuel effect
- Woodland & Silver birch log effect
- Crystal ash embers
- 16 pre-set colours/100+ custom/Animation mode
- LED brightness control
- Thermostatic remote & manual control operation
- Amazon Alexa and Google Assistant compatible



CELSI SMART APP

Feature-rich and simple to operate. Control your fire from your smart phone or tablet with full handset functionality.



E-VR Quantum S1000 Silver Birch Logs



E-VR Quantum S1250 Woodland Logs



Video

Specification

Suite Dimensions: mm	s1250: H 785 x W 1565 x D360 s1000: H 785 x W 1390 x D360
Heat Output	0.8kW – 1.6kW
Suite Finish Painted Premium Board	<input type="checkbox"/> Smooth White
Model Number	Quantum s1250 EVR12RE-SWT Quantum s1000 EVR10RE-SWT



Video

CASINO S1250/S1000

Electrifiame VR Freestanding Smart Suites

Features

- Flame Projection Technology
- 3 sided glass smart fire
- Customisable fuel effect
- Woodland & Silver birch log effect
- Crystal ash embers
- 16 pre-set colours/100+ custom/Animation mode
- LED brightness control
- Thermostatic remote & manual control operation
- Amazon Alexa and Google Assistant compatible



CELSI SMART APP
 Feature-rich and simple to operate. Control your fire from your smart phone or tablet with full handset functionality.



E-VR Casino S1000 Silver Birch Logs



E-VR Casino S1250 Woodland Logs



Video

Specification

Suite Dimensions: mm	S1250: H 680 x W 1460 x D274 S1000: H 680 x W 1210 x D274
Heat Output	0.8kW – 1.6kW
Finish Painted Premium Board	<input type="checkbox"/> Smooth White
Model Number	Casino S1250 EVR12CRE-SWT Casino S1000 EVR10CRE-SWT



Video

MEDIA 750

Electriflame VR Freestanding Illumia Suite



Video



Features

- Flame Projection Technology
- 3 sided glass fire
- Dimmable LED surround lighting
- Media storage
- Customisable fuel effect
- Silver birch effect logs
- Crystal ash embers
- Single or dual colour flame
- LED brightness control
- Thermostatic remote & manual control operation

Optional Extras

Woodland logs fuel effect



Specification

Suite Dimensions: mm	H 1126 x W 1400 x D 408
Heat Output	1.0kW – 2.0kW
Finish Painted Premium Board	<input type="checkbox"/> Smooth White
Model Number	CEVR75VMRE

CARINO 750

Electriflame VR Freestanding Illumia Suite



Video



Features

- Flame Projection Technology
- 3 sided glass fire
- Dimmable LED surround lighting
- Customisable fuel effect
- Silver birch effect logs
- Crystal ash embers
- Single or dual colour flame
- LED brightness control
- Thermostatic remote & manual control operation

Optional Extras

Woodland logs fuel effect



Specification

Suite Dimensions: mm	H 840 x W 1118 x D 370
Heat Output	1.0kW – 2.0kW
Finish Painted Premium Board	<input type="checkbox"/> Smooth White
Model Number	CEVR75CRE

TORONTO 1000/800

Electriflame/Ultiflame VR Freestanding Illumia Suite

Features

- Glass fronted fire 1000
- Open fronted fire 800
- Dimmable LED surround lighting
- Customisable fuel effect
- Silver birch effect logs
- Crystal ash embers
- Single or dual colour flame
- LED brightness control
- Thermostatic remote & manual control operation



Toronto 800 Smooth White



Toronto 800 Textured Black & White



Video

Specification Toronto 800

Suite Dimensions: mm	H 740 x W 1465 x D 360
Heat Output	0.8kW – 1.6kW
Finish Painted Premium Board	<input type="checkbox"/> Smooth White CEUL9GRE-SWT <input type="checkbox"/> Textured White CEUL9GRE-TWH <input type="checkbox"/> Textured Black CEUL9GRE-TBW
Model Number	



Toronto 1000 Textured White

Specification Toronto 1000

Suite Dimensions: mm	H 724 x W 1565 x D 360
Heat Output	0.8kW – 1.6kW
Finish Painted Premium Board	<input type="checkbox"/> Textured White FVR40RE-TWH <input type="checkbox"/> Textured Black FVR40RE-TBW
Model Number	



Video

TORONTO S600

Ultiflame VR Freestanding Illumia Smart Suite

Features

- Open Fronted Fire
- Dimmable LED surround lighting
- Customisable fuel effect
- Woodland logs
- Charcoal embers
- 16 pre-set colours/100+ custom/Animation mode
- LED brightness control
- Thermostatic remote & manual control operation
- Amazon Alexa and Google Assistant compatible



CELSI SMART APP
 Feature-rich and simple to operate. Control your fire from your smart phone or tablet with full handset functionality.



Smooth White



Textured Black & White



Specification

Suite Dimensions: mm	H 835 W 1185 D 360
Heat Output	0.8kW – 1.6kW
Paint finish Premium Board	<input type="checkbox"/> Smooth White CEUL6RRE-SWT <input checked="" type="checkbox"/> Textured White CEUL6RRE-TWH <input type="checkbox"/> Textured Black CEUL6RRE-TBW
Model Number	



Video

ORBITAL 1000

Electriflame VR Freestanding Illumia Suite

Features

- Flame Projection Technology
- Glass fronted fire
- Dimmable LED surround lighting
- Customisable fuel effect
- Silver birch effect logs
- Crystal ash embers
- Single or dual colour flame
- LED brightness control
- Thermostatic remote & manual control operation



Specification

Suite Dimensions: mm	H 855 x W 1600 x D 360
Heat Output	0.8kW – 1.6kW
Finish Painted Premium Board	
Model Number	<input type="checkbox"/> Smooth White EFVRSWRE



Video

ORBITAL 800

Ultiflame VR Freestanding Illumia Suite



Video



Smooth Mist

Features

- Open fire experience
- Dimmable LED surround lighting
- Customisable fuel effect
- Silver birch effect logs
- Crystal ash embers
- Single or dual colour flame
- LED brightness control
- Thermostatic remote & manual control operation



Smooth Cream



Smooth White

Suite Finish

- Painted Premium Board Smooth White CEULOWRE-ERP
- Black inner panel Smooth Mist CEULOMRE-ERP
- Model Number Smooth Cream CEULOCRE-ERP

Specification

Suite Dimensions: mm	H 850 x W 1466 x D 360
Heat Output	0.8kW – 1.6kW

VEGA 800

Ultiflame VR Freestanding Illumia Suite



Video



Features

- Open fire experience
- Customisable fuel effect
- Silver birch effect logs
- Crystal ash embers
- Single or dual colour flame
- LED brightness control
- Thermostatic remote & manual control operation



Specification

Suite Dimensions: mm	H 892 x W 1430 x D 330
Heat Output	0.8kW – 1.6kW

Suite Finish

- Painted Premium Board Smooth White
- Black inner panel
- Model Number CEULVWRE-ERP

LUMINAIRE 800

Firebeam Freestanding Illumia Suite



Video



Features

- Open fire experience
- Dimmable LED surround lighting
- Extra deep fuel bed
- Natural real wood logs
- Active Blazing Embers
- Single or dual colour flame
- LED brightness control
- Thermostatic remote & manual control operation



Specification

Suite Dimensions: mm	H 1005 x W 1478 x D 400
Heat Output	0.8kW - 1.6kW
Finish Painted Premium Board	<input type="checkbox"/> Smooth White
Model Number	CEULL8RE-SWT

LUMINAIRE S600

Firebeam Freestanding Illumia Smart Suite



Video



Features

- Open fire experience
- Dimmable LED surround lighting
- Extra deep fuel bed
- Natural real wood logs
- Active Blazing Embers
- 16 pre-set colours/100+ custom/Animation mode
- LED brightness control
- Thermostatic remote & manual control operation
- Amazon Alexa and Google Assistant compatible



CELSI SMART APP
Feature-rich and simple to operate. Control your fire from your smart phone or tablet with full handset functionality.



Specification

Suite Dimensions: mm	1108x W 1350 x D 400
Heat Output	0.8kW - 1.6kW
Finish Painted Premium Board	<input type="checkbox"/> Smooth White
Model Number	CEULGLRE-SWT

SKYFALL 800

Firebeam Freestanding Illumia Suite

Features

- Open fire experience
- Dimmable LED surround lighting
- Extra deep fuel bed
- Natural real wood logs
- Active Blazing Embers
- Single or dual colour flame
- LED brightness control
- Thermostatic remote & manual control operation



Smooth White



Smooth White & Mist

Specification

Suite Dimensions: mm	H 775 x W 1480 x D 375
Heat Output	0.8kW - 1.6kW
Finish Painted Premium Board	<input type="checkbox"/> Smooth White CEULS8RE-SWT
Model Number	<input type="checkbox"/> Smooth White & Mist CEULS8RE-



Video

SKYFALL S600

Firebeam Freestanding Illumia Smart Suite

Features

- Open fire experience
- Dimmable LED surround lighting
- Extra deep fuel bed
- Natural real wood logs
- Active Blazing Embers
- 16 pre-set colours/100+ custom/Animation mode
- LED brightness control
- Thermostatic remote & manual control operation
- Amazon Alexa and Google Assistant compatible



CELSI SMART APP
 Feature-rich and simple to operate. Control your fire from your smart phone or tablet with full handset functionality.



Smooth White & Mist



Smooth White & Mist

Specification

Suite Dimensions: mm	H 775 x W 1480 x D 375
Heat Output	0.8kW - 1.6kW
Finish Painted Premium Board	<input type="checkbox"/> Smooth White CEULR6RE-SWT
Model Number	<input type="checkbox"/> Smooth White & Mist CEULR6RE-



Video

ADOUR 800

Ultiflame VR Freestanding Illumia Suite



Video

Smooth Mist



Features

- Open fire experience
- Dimmable LED surround lighting
- Customisable fuel effect
- Silver birch effect logs
- Crystal ash embers
- Single or dual colour flame
- LED brightness control
- Thermostatic remote & manual control operation



Smooth Mist

Smooth Cream



Specification

Suite Dimensions: mm	H 990 x W 1465 x D 380
Heat Output	0.8kW – 1.6kW
Finish Painted Premium Board	<input type="checkbox"/> Smooth White CEULA3REWO <input type="checkbox"/> Smooth Mist CEULA3RESO <input type="checkbox"/> Smooth Cream CEULA3RECO
Model Number	

ADOUR S750

Ultiflame VR Freestanding Illumia Smart Suite



Video



Features

- Glass Fronted Fire
- Dimmable LED surround lighting
- Customisable fuel effect
- Woodland logs
- Charcoal embers
- 16 pre-set colours/100+ custom/Animation mode
- LED brightness control
- Thermostatic remote & manual control operation
- Amazon Alexa and Google Assistant compatible



Specification

Suite Dimensions: mm	H 990 x W 1465 x D 380
Heat Output	0.8kW – 1.6kW

Suite Finish

Painted Premium Board	<input type="checkbox"/> Smooth White
Model Number	CEULALRE-WWS

ADOUR S600XT

Ultiflame VR Freestanding Illumia Smart Suite



Video



Features

- Glass Fronted Fire
- Dimmable LED surround lighting
- Customisable fuel effect
- Woodland logs
- Charcoal embers
- 16 pre-set colours/100+ custom/Animation mode
- LED brightness control
- Thermostatic remote & manual control operation
- Amazon Alexa and Google Assistant compatible



Specification

Suite Dimensions: mm	H 1090 x W 1340 x D 380
Heat Output	0.8kW – 1.6kW
Painted Premium Board Black back panel and hearth	Smooth White & Black
Model Number	CEULARRE-WBS



CELSI SMART APP
Feature-rich and simple to operate. Control your fire from your smart phone or tablet with full handset functionality.

ADOUR S600

Ultiflame VR Freestanding Illumia Smart Suite



Video



Features

- Open Fronted Fire
- Dimmable LED surround lighting
- Customisable fuel effect
- Woodland logs
- Charcoal embers
- 16 pre-set colours/100+ custom/Animation mode
- LED brightness control
- Thermostatic remote & manual control operation
- Amazon Alexa and Google Assistant compatible



Specification

Suite Dimensions: mm	H 1090 x W 1340 x D 380
Heat Output	0.8kW – 1.6kW
Painted Premium Board Black back panel and hearth	Smooth White & Black
Model Number	CEULA2REWBS



CELSI SMART APP
Feature-rich and simple to operate. Control your fire from your smart phone or tablet with full handset functionality.

CANELO S600

Ultiflame VR Freestanding Illumia Smart Suite



Video



Features

- Open Fronted Fire
- Dimmable LED surround lighting
- Customisable fuel effect
- Woodland logs
- Charcoal embers
- 16 pre-set colours/100+ custom/Animation mode
- LED brightness control
- Thermostatic remote & manual control operation
- Amazon Alexa and Google Assistant compatible



Specification

Suite Dimensions: mm	H 1090 W 1340 D 340
Heat Output	0.8kW – 1.6kW
Painted Premium Board Black back panel and hearth	Smooth White & Black
Model Number	CEUL6IRE-RGB



CELSI SMART APP
Feature-rich and simple to operate. Control your fire from your smart phone or tablet with full handset functionality.

ELARA S600

Ultiflame VR Freestanding Smart Suite



Video



Features

- Open Fronted Fire
- Customisable fuel effect
- Woodland logs
- Charcoal embers
- 16 pre-set colours/100+ custom/Animation mode
- LED brightness control
- Thermostatic remote & manual control operation
- Amazon Alexa and Google Assistant compatible



Smooth Cream & Black



Smooth White & Black



Specification

Suite Dimensions: mm	H 892 x W 1228 x D 330
Heat Output	0.8kW – 1.6kW
Painted Premium Board Black back panel and hearth	Smooth White & Black CEULEWRE-RGB Smooth Mist & Black CEULEMRE-RGB Smooth Cream & Black CEULECRE-RGB
Model Number	



CELSI SMART APP
Feature-rich and simple to operate. Control your fire from your smart phone or tablet with full handset functionality.



PARADA ELITE 800

Ultiflame VR Inset Limestone Illumia Suite



Video



Features

- Open fire experience
- Dimmable LED surround lighting
- Customisable fuel effect
- Silver birch effect logs
- Crystal ash embers
- Single or dual colour flame
- LED brightness control
- Thermostatic remote & manual control operation
- Available in two sizes



Specification

Suite Dimensions: mm	54" 58"	H 990 x W 1350 x D 400 H 990 x W 1464 x D 400
Heat Output	0.8kW – 1.6kW	

Suite Finish

Natural	<input type="checkbox"/> Limestone
Model Number	54" CEULPSRE-ERP 58" CEULPLRE-ERP

AVIGNON ELITE 800

Ultiflame VR Inset Limestone Suite



Video



Features

- Open fire experience
- Customisable fuel effect
- Silver birch effect logs
- Crystal ash embers
- Single or dual colour flame
- LED brightness control
- Thermostatic remote & manual control operation
- Available in two sizes



Specification

Suite Dimensions: mm	54" 58"	H 990 x W 1350 x D 380 H 990 x W 1464 x D 380
Heat Output	0.8kW – 1.6kW	

Suite Finish

Natural	<input type="checkbox"/> Limestone
Model Number	54" CEUALRE-ERP 58" CEULASRE-ERP

ALEESIA S750

Ultiflame VR Inset Limestone Illumia Smart Suite



Video



Features

- Glass Fronted Fire
- Dimmable LED surround lighting
- Woodland logs
- Charcoal embers
- 16 pre-set colours/100+ custom/Animation mode
- LED brightness control
- Thermostatic remote & manual control operation
- Amazon Alexa and Google Assistant compatible
- Available in two sizes



Specification

Suite Dimensions: mm	54" 58"	H 1050 x W 1370 x D 400 H 1050 x W 1470 x D 400
Heat Output	0.8kW – 1.6kW	

Suite Finish

Natural	<input type="checkbox"/> Limestone
Model Number	54" CEULALS4RE 58" CEULALS8RE

ASENCIO S600XT

Ultiflame VR Inset Limestone Smart Suite



Video



Features

- Glass Fronted Fire
- Customisable fuel effect
- Woodland logs
- Charcoal embers
- 16 pre-set colours/100+ custom/Animation mode
- LED brightness control
- Thermostatic remote & manual control operation
- Amazon Alexa and Google Assistant compatible



Specification

Suite Dimensions: mm	H 1095 x W 1376 x D 380
Heat Output	0.8kW – 1.6kW
Natural	<input type="checkbox"/> Limestone
Model Number	CEULASSRE



CELSI SMART APP

Feature-rich and simple to operate. Control your fire from your smart phone or tablet with full handset functionality.

ANGELO S600

Ultiflame VR Inset Limestone Smart Suite



Video



Features

- Open fire experience
- Customisable fuel effect
- Woodland logs
- Charcoal embers
- 16 pre-set colours/100+ custom/Animation mode
- LED brightness control
- Thermostatic remote & manual control operation
- Amazon Alexa and Google Assistant compatible



CELSI SMART APP
Feature-rich and simple to operate. Control your fire from your smart phone or tablet with full handset functionality.

Specification

Suite Dimensions: mm	H 1070 x W 1370 x D 380
Heat Output	0.8kW – 1.6kW
Natural	<input type="checkbox"/> Limestone
Model Number	CEULLIRE-RGB

BOTICELLI S600

Ultiflame VR Inset Limestone Smart Suite



Video



Features

- Open fire experience
- Customisable fuel effect
- Woodland logs
- Charcoal embers
- 16 pre-set colours/100+ custom/Animation mode
- LED brightness control
- Thermostatic remote & manual control operation
- Amazon Alexa and Google Assistant compatible



CELSI SMART APP
Feature-rich and simple to operate. Control your fire from your smart phone or tablet with full handset functionality.

Specification

Suite Dimensions: mm	H 1060 x W 1370 x D 380
Heat Output	0.8kW – 1.6kW
Natural	<input type="checkbox"/> Limestone
Model Number	CEULAVRE-RGB

PABLO S600

Ultriflame VR Inset Limestone Smart Suite



Video



Features

- Open fire experience
- Customisable fuel effect
- Woodland logs
- Charcoal embers
- 16 pre-set colours/100+ custom/Animation mode
- LED brightness control
- Thermostatic remote & manual control operation
- Amazon Alexa and Google Assistant compatible

CELSI SMART



CELSI SMART APP
Feature-rich and simple to operate. Control your fire from your smart phone or tablet with full handset functionality.

Specification

Suite Dimensions: mm	H 1060 x W 1220 x D 410
Heat Output	0.8kW – 1.6kW
Natural	<input type="checkbox"/> Limestone
Model Number	CEULRSRE-RGB

VOLARE 750

Electriflame VR 3 Sided Glass Fire Wall Mounted Illumia Suite



Video



Features

- 3 sided glass fire
- Dimmable LED surround lighting
- Customisable fuel effect
- Silver birch effect logs
- Crystal ash embers
- Single or dual colour flame
- LED brightness control
- Thermostatic remote & manual control operation
- Includes wall fixing bracket

Optional Extras

Woodland logs fuel effect



Specification

Suite Dimensions: mm	H 721 x W 1400 x D 406
Heat Output	1.0kW – 2.0kW
Finish Painted Premium Board	<input type="checkbox"/> Smooth White
Model Number	CEVR75VRE

FIREBEAM 800XL

Firebeam Semi-Inset Illumia Suite



Video



Features

- Open fire experience
- Dimmable LED surround lighting
- Extra deep fuel bed
- Natural real wood logs
- Active Blazing Embers
- Single or dual colour flame
- LED brightness control
- Thermostatic remote & manual control operation



Specification

Suite Dimensions: mm	H 697 x W 1302 x D 213
Heat Output	0.8kW - 1.6kW
Finish Painted Premium Board	<input type="checkbox"/> Smooth White
Model Number	CEUXF8RE-SWT

FIREBEAM 800

Firebeam Inset Illumia Suite



Video



Smooth Mist

Features

- Open fire experience
- Dimmable LED surround lighting
- Extra deep fuel bed
- Natural real wood logs
- Active Blazing Embers
- 16 pre-set colours/100+ custom/Animation mode
- LED brightness control
- Thermostatic remote & manual control operation
- Amazon Alexa and Google Assistant compatible



Smooth White

Specification

Suite Dimensions: mm	H 540 x W 1200 x D 170
Heat Output	0.8kW - 1.6kW
Finish Painted Premium Board	<input type="checkbox"/> Smooth White CEULF8RE-SWT
Model Number	<input type="checkbox"/> Smooth Mist CEULF8RE-ELB

FIREBEAM XL S600

Firebeam Semi-Inset Illumia Smart Suite



Video



Features

- Open fire experience
- Dimmable LED surround lighting
- Extra deep fuel bed
- Natural real wood logs
- Active Blazing Embers
- 16 pre-set colours/100+ custom/Animation mode
- LED brightness control
- Thermostatic remote & manual control operation
- Amazon Alexa and Google Assistant compatible

CELSI SMART



CELSI SMART APP

Feature-rich and simple to operate. Control your fire from your smart phone or tablet with full handset functionality.

Specification

Suite Dimensions: mm	H 794 x W 970 x D 213
Heat Output	0.8kW - 1.6kW
Finish Painted Premium Board	<input type="checkbox"/> Smooth White
Model Number	CEUXR6RE-SWT

FIREBEAM S600

Firebeam Inset Illumia Smart Suite



Video

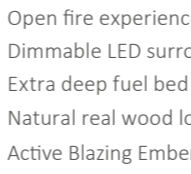


Smooth White

Features

- Open fire experience
- Dimmable LED surround lighting
- Extra deep fuel bed
- Natural real wood logs
- Active Blazing Embers
- 16 pre-set colours/100+ custom/Animation mode
- LED brightness control
- Thermostatic remote & manual control operation
- Amazon Alexa and Google Assistant compatible

CELSI SMART



CELSI SMART APP

Feature-rich and simple to operate. Control your fire from your smart phone or tablet with full handset functionality.



Smooth Mist

Specification

Suite Dimensions: mm	H 615 x W 870 x D 170
Heat Output	0.8kW - 1.6kW
Finish Painted Premium Board	<input type="checkbox"/> Smooth White CEULFRRE-SWT
Model Number	<input type="checkbox"/> Smooth Mist CEULFRRE-ELB



3-sided glass Installation Woodland Logs



Video

Specification

Fire Dimensions: mm	H 330 x W 1600 x D 219
Heat Output	0.8kW – 1.6kW
Model Number	EFVR16RE

COMMODUS S1600

Electriflame VR Built-In 3 Sided Glass Smart Fire

Features

- Flame Projection Technology
- 3 sided glass smart fire
- Customisable fuel effect
- Woodland & Silver birch effect logs
- Crystal ash embers
- 16 pre-set colours/100+ custom/Animation mode
- LED brightness control
- Thermostatic remote & manual control operation
- Amazon Alexa and Google Assistant compatible
- Side blanking for 2 & 1 sided installations



CELSI SMART APP
 Feature-rich and simple to operate. Control your fire from your smart phone or tablet with full handset functionality.





2-sided glass Installation

COMMODUS S1250

Electrifiame VR Built-In 3 Sided Glass Smart Fire

Features

- Flame Projection Technology
- 3 sided glass smart fire
- Customisable fuel effect
- Woodland & Silver birch effect logs
- Crystal ash embers
- 16 pre-set colours/100+ custom/Animation mode
- LED brightness control
- Thermostatic remote & manual control operation
- Amazon Alexa and Google Assistant compatible
- Side blanking for 2 & 1 sided installations



CELSI SMART APP
Feature-rich and simple to operate. Control your fire from your smart phone or tablet with full handset functionality.



Video

Specification

Fire Dimensions: mm	H 330 x W 1250 x D 219
Heat Output	0.8kW – 1.6kW
Model Number	EFVR12RE

COMMODUS S1000

Electriflame VR Built-In 3 Sided Glass Smart Fire

Features

- Flame Projection Technology
- 3 sided glass smart fire
- Customisable fuel effect
- Woodland & Silver birch effect logs
- Crystal ash embers
- 16 pre-set colours/100+ custom/Animation mode
- LED brightness control
- Thermostatic remote & manual control operation
- Amazon Alexa and Google Assistant compatible
- Side blanking for 2 & 1 sided installations
- Fascia option available



CELSI SMART APP
Feature-rich and simple to operate. Control your fire from your smart phone or tablet with full handset functionality.



3-sided glass Installation Silver Birch Logs



Wall Inset with Fascia Woodland Logs



Video

Specification

Fire Dimensions: mm	H 330 x W 1000 x D 219
Fascia Dimensions: mm	H 540 x W 1200 x D 19
Heat Output	0.8kW – 1.6kW
Dual Finish Steel Fabricated Fascia Metallic	Black Nickel & Black Metallic
Model Number	Fire & Fascia EFVR10RE070 Fire only EFVR10RE



Video

1400

Electrifiame VR Built-In 3 Sided Glass Fire



Video



Features

- 3 sided glass fire
- Customisable fuel effect
- Silver birch effect logs
- Crystal ash embers
- Single or dual colour flame
- LED brightness control
- Thermostatic remote & manual control operation
- Side blanking for 2 &1 sided installations



Specification

Fire Dimensions: mm	H 375 x W 1430 x D 275
Heat Output	1.0kW – 2.0kW
Model Number	CEVR14RE

750

Electrifiame VR Built-In 3 Sided Glass Fire



Video



Features

- 3 sided glass fire
- Customisable fuel effect
- Silver birch effect logs
- Crystal ash embers
- Single or dual colour flame
- LED brightness control
- Thermostatic remote & manual control operation
- Side blanking for 2 &1 sided installations



Specification

Fire Dimensions: mm	H 374 x W 780 x D 275
Heat Output	0.8kW – 1.6kW
Model Number	CEVR75RE

Optional Extras

Woodland logs fuel effect



VICHY 800

Ultiflame VR Wall Inset Fire



Video



Textured Black

Features

- Open fire experience
- Customisable fuel effect
- Silver birch effect logs
- Crystal ash embers
- Single or dual colour flame
- LED brightness control
- Thermostatic remote & manual control operation



Satin Champagne



Specification

Dimensions: mm	H 540 x W 1490 x D 71
Heat Output	0.8kW – 1.6kW

Finish

Steel Fabricated Fascia Brushed Metallic or Black Textured Paint	<input type="checkbox"/> Satin Champagne CEUL33RE971 <input type="checkbox"/> Black Textured CEUL33RE915
Model Number	

METZ 800 & Elite 800

Ultiflame VR Wall Inset Fire



Metz Video



Metz 800 Satin Champagne

Features

- Open fire experience
- Customisable fuel effect
- Silver birch effect logs
- Crystal ash embers
- Single or dual colour flame
- LED brightness control
- Thermostatic remote & manual control operation



Eite 800 - Fascialess



Specification Metz 800

Dimensions: mm	H 540 x W 1490 x D 22.5
Heat Output	0.8kW – 1.6kW

Steel Fabricated Fascia Brushed Metallic	<input type="checkbox"/> Satin Champagne CEUL33RE931
Model Number	

Specification Eite 800

Fire Dimensions: mm	H 352 x W 843 x D 182
Heat Output	0.8kW – 1.6kW

Model Number	CEUL33RE-ERP
--------------	--------------



Elite Video

INSTINCT 800

Ultiflame VR Wall Inset Fire



Video



Satin Champagne

Features

- Open fire experience
- Customisable fuel effect
- Silver birch effect logs
- Crystal ash embers
- Single or dual colour flame
- LED brightness control
- Thermostatic remote & manual control operation



Satin Black



Specification

Dimensions: mm	H 647 x W 1138 x D 60
Heat Output	0.8kW – 1.6kW

Finish

Steel Fabricated Fascia	Satin Champagne CECH33RE-ERP
Steel Fabricated Fascia Brushed Metallic	Satin Black CEBC33RE-ERP

Model Number

EVORA S600XT & ASECICIO S600XT

Ultiflame VR Wall Inset Smart Fire



Video



Evora S600XT

Features

- Glass Fronted Fire
- Customisable fuel effect
- Woodland logs
- Charcoal embers
- 16 pre-set colours/100+ custom/Animation mode
- LED brightness control
- Thermostatic remote & manual control operation
- Amazon Alexa and Google Assistant compatible



CELSI SMART APP
Feature-rich and simple to operate. Control your fire from your smart phone or tablet with full handset functionality.



CELSI
SMART

Asencio S600XT trimless installation

Specification

Dimensions Evora: mm	H 768 x W 762 x D 19
Heat Output	0.8kW – 1.6kW
Steel Fabricated Fascia Dual Finish Metallic	Black Nickel & Chrome Evora S600XT CEULASRE-FAS
Model Number	Asencio S600XT CEULASRE-RGB

VADER S750 & ALEESIA S750

Ultiflame VR Wall Inset Smart Fire

Features

- Glass Fronted Fire
- Customisable fuel effect
- Woodland logs
- Charcoal embers
- 16 pre-set colours/100+ custom/Animation mode
- LED brightness control
- Thermostatic remote & manual control operation
- Amazon Alexa and Google Assistant compatible



CELSI SMART APP
Feature-rich and simple to operate. Control your fire from your smart phone or tablet with full handset functionality.



Vader S750 Black Nickel & Chrome



Aleesia S750 trimless installation



Vader S750 Black Nickel & Black



Video

Specification

Dimensions: mm	Vader S750 H 683 x W 963 x D 21 Aleesia S750 H 490 x W 770 x D 183
Heat Output	0.8kW – 1.6kW
Steel Fabricated Fascia Dual Metallic Finish	Black Nickel & Black CEULALRE-BNB
Model Number	Black Nickel & Chrome CEULALRE-BNC Aleesia S750 CEULALRE-RGB



CELENA S600

Ultiflame VR Wall Inset Smart Fire



Video



Features

- Open fire experience
- Customisable fuel effect
- Woodland logs
- Charcoal embers
- 16 pre-set colours/100+ custom/Animation mode
- LED brightness control
- Thermostatic remote & manual control operation
- Amazon Alexa and Google Assistant compatible



Specification

Fire Dimensions: mm	H 447 x W 560 x D 182
Heat Output	0.8kW – 1.6kW
Model Number	CEUL22RE-RGB



CELSI SMART APP
Feature-rich and simple to operate. Control your fire from your smart phone or tablet with full handset functionality.

IMPULSE S600

Ultiflame VR Wall Inset Smart Fire



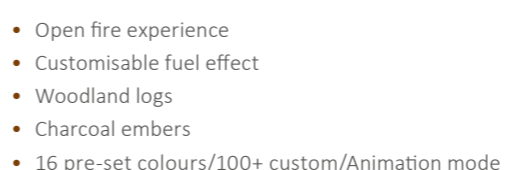
Video



Satin Black

Features

- Open fire experience
- Customisable fuel effect
- Woodland logs
- Charcoal embers
- 16 pre-set colours/100+ custom/Animation mode
- LED brightness control
- Thermostatic remote & manual control operation
- Amazon Alexa and Google Assistant compatible



CELSI SMART APP
Feature-rich and simple to operate. Control your fire from your smart phone or tablet with full handset functionality.



CELSI SMART

Satin Silver

Specification

Dimensions: mm	H 742 x W 860 x D 60
Heat Output	0.8kW – 1.6kW
Steel Fabricated Fascia Brushed Metallic	<input type="checkbox"/> Satin Silver CESS22RE-RGB <input type="checkbox"/> Satin Black CEBC22RE-RGB
Model Number	

PRESTIGE

Electrifiame XD Wall Mounted Fire

Features

- Glass fronted fire
- High definition effect
- Extra deep 3D coals
- Relaxing smoky flames
- LED brightness control
- Thermostatic remote & manual control operation
- Includes wall fixing bracket



Atmospheric flame ascension



Specification

Dimensions: mm	H 600 x W 1100 x D 150
Heat Output	0.75kW – 1.5kW
Finish Natural Marble	 Prestige Brown
Model Number	EFH11TBRE



Video

TRAVERTINE

Electriflame XD Wall Mounted Fire



Video

Travertine 1100



Features

- Glass fronted fire
- High definition effect
- Extra deep 3D coals
- Relaxing smoky flames
- LED brightness control
- Thermostatic remote & manual control operation
- Includes wall fixing bracket
- Available in two sizes



Travertine 1300



Specification

Dimensions: mm	H 625 x W 1300/1100 x D 150
Heat Output	0.75kW – 1.5kW

Finish

Natural	Travertine
Model Number	1300 - EFH13TVRE 1100 - EFH11TVRE

ROYAL BOTTICINO

Electriflame XD Wall Mounted Fire



Video



Features

- Glass fronted fire
- High definition effect
- Extra deep 3D coals
- Relaxing smoky flames
- LED brightness control
- Thermostatic remote & manual control operation
- Includes wall fixing bracket



Specification

Dimensions: mm	H 600 x W 1100 x D 150
Heat Output	0.75kW – 1.5kW

Finish

Natural Marble	Royal Botticino
Model Number	EFH11RBRE

RAPTURE

Flamonik Wall Mounted Fire



Video



Features

- Flat glass fascia
- Distinctive flame effect
- Raised log fuel bed
- Thermostatic remote & manual control operation
- Includes wall fixing bracket



Magenta



Blue



Amber



Specification

Dimensions: mm	H 440 x W 686 x D 110
Heat Output	0.75kW – 1.5kW

Finish

	Black Glass
Model Number	CFE090RE-ERP

ENCHANT

Flamonik Wall Mounted Fire



Video



Features

- Curved glass fascia
- Enchanting smoky flame effect
- Raised log fuel bed
- Thermostatic remote & manual control operation
- Includes wall fixing bracket



Magenta



Blue



Amber



Specification

Dimensions: mm	H 441 x W 916 x D 126
Heat Output	0.75kW – 1.5kW

Finish

	Black Glass
Model Number	CFECE09RE-ERP



Chrome & Black Nickel

ACERO

Electriflame VR Hearth Inset Fire

Features

- Aspirational 26 inch fascia
- Flame Projection Technology
- Extra wide glass fronted fire
- Customisable fuel effect
- Real Wood logs
- Crystal ash embers
- Single or dual colour flame
- LED brightness control
- Thermostatic remote & manual control operation



THERMO-STATIC



7 DAY TIMER



ENERGY SAVING



ISO FLAME



FLAME FUSION



REAL WOOD



Chrome & Satin Silver



Video

Specification

Dimensions: mm	H 655 x W 657 x D 67
Heat Output	0.75kW - 1.5kW
Dual Finish Steel Fabricated Fascia Metallic	<input type="checkbox"/> Chrome & Satin Silver EVRIASRE
Model Number	<input type="checkbox"/> Chrome & Black Nickel EVRIABRE

PARRILLA

Electriflame VR Hearth Inset Fire

Features

- Flame Projection Technology
- Extra wide glass fronted fire
- Customisable fuel effect
- Real Wood logs
- Crystal ash embers
- Single or dual colour flame
- LED brightness control
- Thermostatic remote & manual control operation



Satin Silver



Satin Champagne

Specification

Dimensions: mm	H 602 x W 544 x D 90
Heat Output	0.75kW – 1.5kW

Finish

Steel Fabricated Fascia Brushed Metallic	<input type="checkbox"/> Satin Silver EVRIPSRE
Model Number	<input type="checkbox"/> Satin Champagne EVRIPCRE



Video

ARCADIA

Ultiflame VR Hearth Inset Fire



Video

Features

- Open fire experience
- Customisable fuel effect
- Natural real wood logs
- Charcoal embers
- Single or dual colour flame
- LED brightness control
- Thermostatic remote & manual control operation



Optional Extras

75mm Spacer frame
For flat wall installation



Black & Chrome

Finish

High Quality Cast Iron
Fascia Paint and Metallic
Plated

Model Number

- Black & Gold CUFLAGRE-ERP
- Black & Chrome CUFLASRE-ERP



Black & Gold

Specification

Dimensions: mm	H 612 x W 528 x D 154
Heat Output	0.75kW – 1.5kW

DECADENCE

Ultiflame VR Hearth Inset Fire



Video

Features

- Open fire experience
- Customisable fuel effect
- Natural real wood log
- Charcoal embers
- Single or dual colour flame
- LED brightness control
- Thermostatic remote & manual control operation



Optional Extras

75mm Spacer frame
For flat wall installation



Gold

Black Nickel



Chrome

Finish

High Quality Cast Iron
Fascia Metallic Plated

Model Number

- Chrome CUFLDCRE-ERP
- Gold CUFLDGRE-ERP
- Black Nickel CUFLNDRE-ERP

Specification

Dimensions: mm	H 630 x W 528.5 x D 151
Heat Output	0.75kW – 1.5kW

CAMBER

Ultiflame VR Hearth Inset Fire



Video

Features

- Open fire experience
- Customisable fuel effect
- Natural real wood logs
- Charcoal embers
- Single or dual colour flame
- LED brightness control
- Thermostatic remote & manual control operation



Optional Extras

75mm Spacer frame
For flat wall installation



Satin Champagne

Black Textured

Finish

Anodised Aluminium	Satin Silver CUFLWORE-ERP
Fascia Brushed Metallic or Black Textured Paint	Satin Champagne CUFLAORE-ERP
Model Number	Black Textured CUFLBORE-ERP

Specification

Dimensions: mm	H 619 x W 537 x D 135
Heat Output	0.75kW – 1.5kW

FRONTIER

Ultiflame VR Hearth Inset Fire



Video

Features

- Open fire experience
- Customisable fuel effect
- Natural real wood logs
- Charcoal embers
- Single or dual colour flame
- LED brightness control
- Thermostatic remote & manual control operation



Optional Extras

75mm Spacer frame
For flat wall installation



Specification

Dimensions: mm	H 617 x W 541 x D 131
Heat Output	0.75kW – 1.5kW

Dual Finish

Steel Fabricated Fascia Paint & Metallic	Black Textured & Chrome
Model Number	CUFLSRE-ERP

ESSENCE

Ultiflame VR Hearth Inset Fire



Video



Black

Features

- Open fire experience
- Customisable fuel effect
- Natural real wood logs
- Charcoal embers
- Single or dual colour flame
- LED brightness control
- Thermostatic remote & manual control operation



Optional Extras

75mm Spacer frame
For flat wall installation



Satin Silver

Specification

Dimensions: mm	H 619 x W 537 x D 127
Heat Output	0.75kW – 1.5kW

Finish

Steel Fabricated Fascia Brushed Metallic	Satin Silver CUFLDRE-ERP
Smooth Black Paint	Smooth Black CUFLD2RE-ERP
Model Number	

DESIGNER

Ultiflame VR Hearth Inset Fire



Video



Black Nickel & Chrome

Features

- Open fire experience
- Customisable fuel effect
- Natural real wood logs
- Charcoal embers
- Single or dual colour flame
- LED brightness control
- Thermostatic remote & manual control operation



Optional Extras

75mm Spacer frame
For flat wall installation



Chrome & Black

Specification

Dimensions: mm	H 599 x W 498 x D 129
Heat Output	0.75kW – 1.5kW

Dual Finish

Steel Fabricated Fascia Metallic	Black Nickel & Chrome CUFLDSRE-ERP
Model Number	Chrome & Black CUFLCBRE-ERP

ENDURA

Ultiflame VR Hearth Inset Fire



Video



Chrome

Features

- Open fire experience
- Customisable fuel effect
- Natural real wood logs
- Charcoal embers
- Single or dual colour flame
- LED brightness control
- Thermostatic remote & manual control operation



Optional Extras

75mm Spacer frame
For flat wall installation



Black

Finish

Steel Fabricated Fascia Metallic or Smooth Black Paint
Model Number

- Chrome CUFLESRE-ERP
- Black CUFLEBRE-ERP

Specification

Dimensions: mm	H 598 x W 497 x D 126
Heat Output	0.75kW – 1.5kW

CONTEMPORARY

Ultiflame VR Hearth Inset Fire



Video



Satin Silver

Features

- Open fire experience
- Customisable fuel effect
- Natural real wood logs
- Charcoal embers
- Single or dual colour flame
- LED brightness control
- Thermostatic remote & manual control operation



Optional Extras

75mm Spacer frame
For flat wall installation



Satin Champagne

Finish

Steel Fabricated Fascia Metallic or Brushed Metallic
Model Number

- Satin Silver CUFLESRE-ERP
- Satin Champagne CUFCCRE-ERP

Specification

Dimensions: mm	H 598 x W 493 x D 132
Heat Output	0.75kW – 1.5kW



HOLOGRAM GENESIS

Electriflame H3D Smart Stove

Features

- Holographic Im-Mesh 3D Technology
- Multi Flame Projection Technology
- Living Ember Bed Technology
- Tough steel construction
- Curved design
- Woodland ceramic logs
- 16 pre-set colours/100+ custom/Animation mode
- LED brightness control
- Thermostatic remote & manual control operation
- Amazon Alexa and Google Assistant compatible
- Decorative flue pipe available



CELSI SMART APP

Feature-rich and simple to operate. Control your fire from your smart phone or tablet with full handset functionality.

The Holographic Im-Mesh 3D technology offers an extensive number of colour options and combinations. Explore dancing flame witchery and smouldering logs with Living Ember Bed Technology, a desirable effect at the forefront of the electric stoves market.

This exciting new generation of electric fires features patented technologies. It is economical to run with high quality LEDs. The heater is thermostatically controlled with settings options. The fire is simple to use and can be operated manually, by remote control, or via WiFi using our dedicated Celsi app.

The flame picture can be used in isolation to the heat, and is a popular choice when no heat is required during the summer months, offering exceptionally low running costs.

Instant heat can be applied to a room at anytime with full thermostatic control.

CELSI
SMART



Video

Specification

Dimensions: mm	H 800 x W 500 x D 400
Heat Output	1.0kW – 2.0kW
Finish Steel Fabricated Painted	Black
Model Number	ESEHGORE

SPECTRE

Electriflame VR 3 Sided Glass Smart Stoves



Video

Features

- Flame Projection Smart Technology
- 3 sided glass stove
- Customisable fuel effect
- Woodland ceramic logs
- Crystal ash embers
- 16 pre-set colours/100+ custom/Animation mode
- LED brightness control
- Thermostatic remote & manual control operation
- Amazon Alexa and Google Assistant compatible
- Decorative flue pipe available



CELSI SMART APP

Feature-rich and simple to operate. Control your fire from your smart phone or tablet with full handset functionality.



Specification

Dimensions: mm	H 800 x W 500 x D 400
Heat Output	1.0kW – 2.0kW
Finish Steel Fabricated Painted	Black
Model Number	EFVRCRE

Optional Extras

- Decorative Steel Flue Pipe Assembly B-1033451

SPECTRE LS



Video



Specification

Dimensions: mm	H 1095 x W 500 x D 400
Heat Output	1.0kW – 2.0kW
Finish Steel Fabricated Painted	Black
Model Number	EFVRLRE

Optional Extras

- Decorative Steel Flue Pipe Assembly B-1033451





STRATFORD

Electriflame VR Smart Stove

Features

- Flame Projection Smart Technology
- Tough steel body stove
- Customisable fuel effect
- Woodland ceramic logs
- Crystal ash embers
- 16 pre-set colours/100+ custom/Animation mode
- LED brightness control
- Thermostatic remote & manual control operation
- Amazon Alexa and Google Assistant compatible
- Decorative flue pipe available




CELSI SMART APP

Feature-rich and simple to operate. Control your fire from your smart phone or tablet with full handset functionality.



Video

Specification

Dimensions: mm	H 590 x W 500 x D 330
Heat Output	1.0kW – 2.0kW
Finish Steel Fabricated Painted	 Black
Model Number	EFVRSTRE

ROCHESTER

Electriflame VR Stove

Features

- Flame Projection Technology
- Tough steel body
- Curved door design
- Customisable fuel effect
- Silver birch effect logs
- Crystal ash embers
- Single or dual colour flame
- LED brightness control
- Thermostatic remote & manual control operation




Optional Extras

- Woodland ceramic logs
- Decorative Steel Flue Pipe Accessories



Specification

Dimensions: mm	H 606 x W 532 x D 372
Heat Output	1.0kW – 2.0kW
Finish Steel Fabricated Painted	 Black
Model Number	CEVRSRRE



Video

ARUNDEL

Electriflame VR Stove



Video



Features

- Flame Projection Technology
- Tough steel body
- Customisable fuel effect
- Silver birch effect logs
- Crystal ash embers
- Single or dual colour flame
- LED brightness control
- Thermostatic remote & manual control operation



Optional Extras

- Woodland ceramic logs
- Decorative Steel Flue Pipe Accessories



Finish

Steel Fabricated Painted	Black
Model Number	CEVRSARE

Specification

Dimensions: mm	H 582 x W 430 x D 389
Heat Output	1.0kW – 2.0kW

LUXIMA

Electriflame VR Stove



Video



Features

- Flame Projection Technology
- Tough steel body
- Customisable fuel effect
- Silver birch effect logs
- Crystal ash embers
- Single or dual colour flame
- LED brightness control
- Thermostatic remote & manual control operation



Optional Extras

- Woodland ceramic logs
- Decorative Steel Flue Pipe Accessories



Finish

Steel Fabricated Painted	Black
Model Number	CEVRSLRE

Specification

Dimensions: mm	H 595 x W 471 x D 359
Heat Output	1.0kW – 2.0kW

Metal 2



METAL 1 & 2

Electrictove XD Stove

Features

- Tough steel body & door
- High definition effect
- Extra deep 3D coals
- Relaxing smoky flames
- LED brightness control
- Thermostatic remote & manual control operation



THERMO-
STATIC

8 HOUR
TIMER

ENERGY
SAVING

ISO
FLAME



Metal 1



METAL 1
Video



METAL 2
Video

Specification

Dimensions: mm	Metal 1 Metal 2	H 579 x W 430 x D 332 H 587 x W 524 x D 295
Heat Output		1.0kW – 2.0kW
Finish	Steel Fabricated	Black
Model Number		Metal 1 CESSMDRE-ERP Metal 2 CESLMDRE-ERP

Optional Extras

- Decorative Steel Flue Pipe Accessories

GLASS 1 & 2

Electristove XD Stove

Features

- Tough steel body
- Glass door & stove top
- High definition effect
- Extra deep 3D coals
- Relaxing smoky flames
- LED brightness control
- Thermostatic remote & manual control operation



Glass 2



GLASS 2
Video



Glass 1

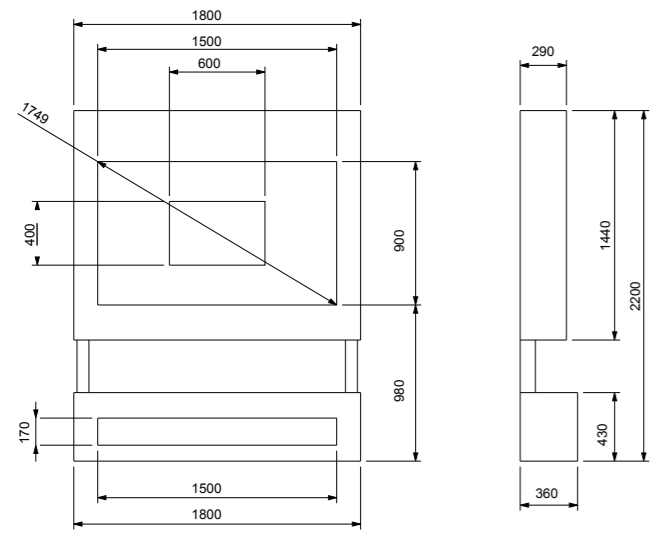
Specification

Dimensions: mm	Glass 1 Glass 2	H 583 x W 430 x D 334 H 591 x W 524 x D 295
Heat Output		1.0kW – 2.0kW
Body	Brush Steel Fabricated	
Glass Door		Black Glass & Chrome
Model Number	Glass 1	CESSMDRE-ERP
	Glass 2	CESLMDRE-ERP

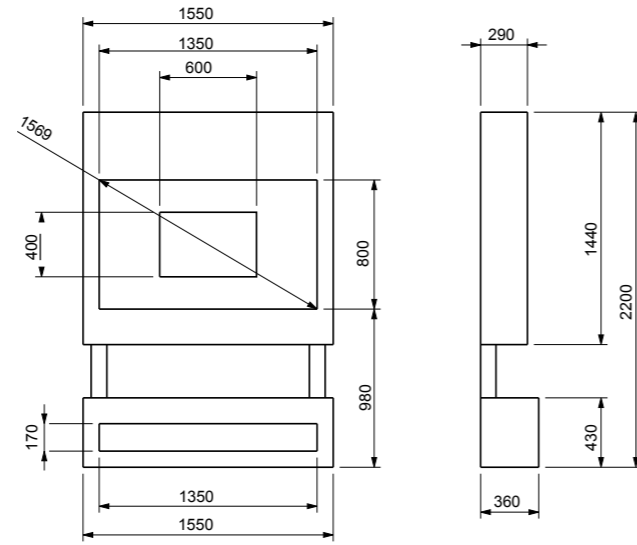


GLASS 1
Video

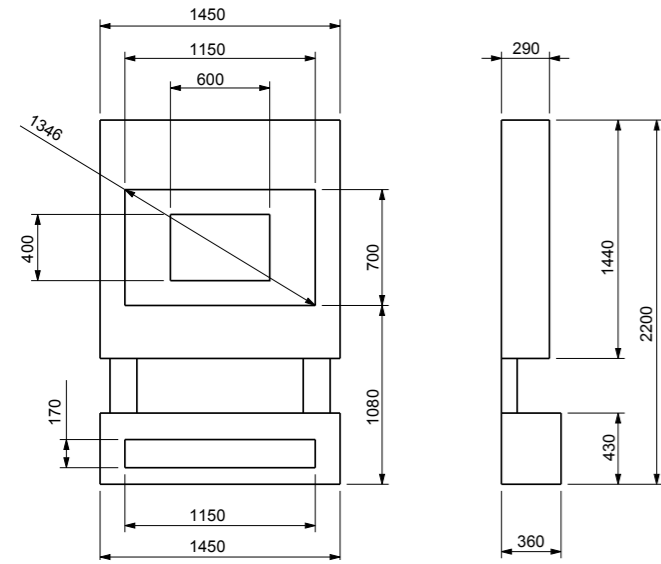
MEDIA WALL SUITES



MEDIA WALL S1600

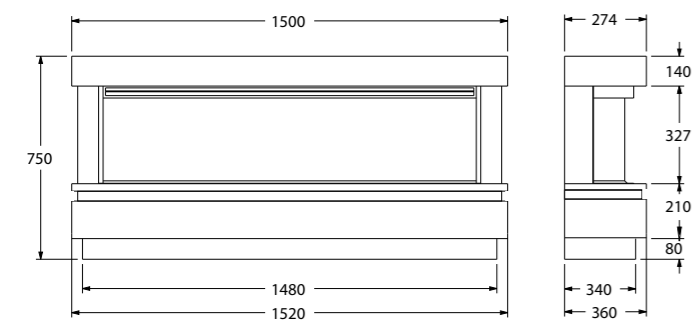


MEDIA WALL S1250

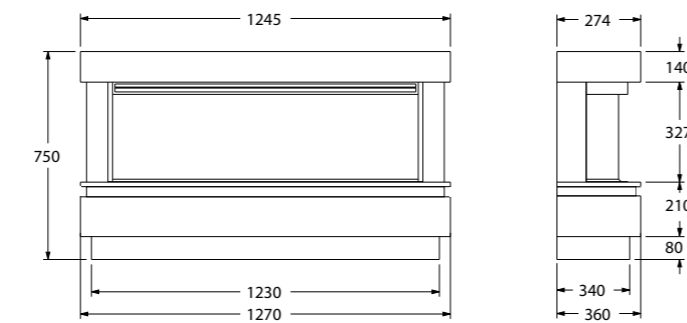


MEDIA WALL S1000

FREESTANDING SUITES



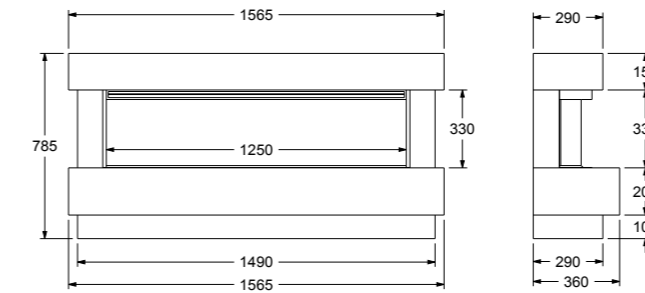
SINATRA S1250



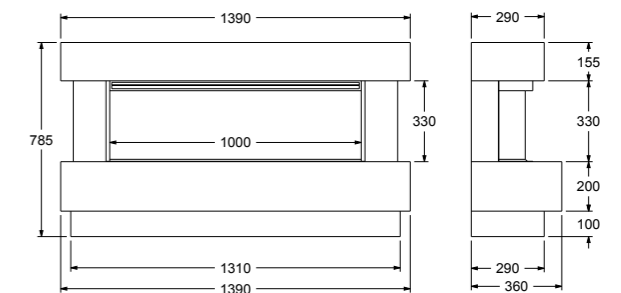
SINATRA S1000

CONTINUED FREESTANDING SUITES

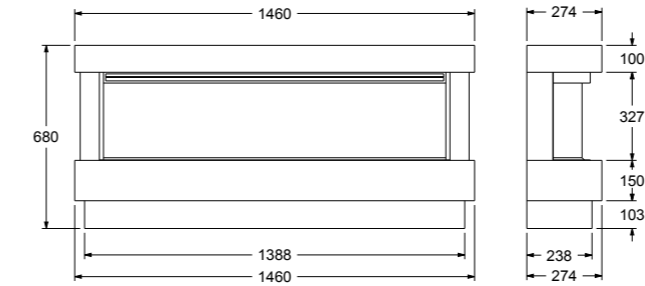
Dimensions: mm



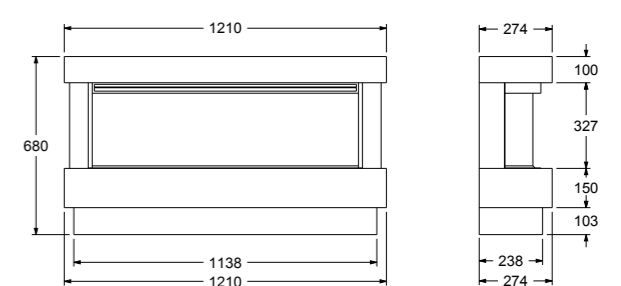
QUANTUM S1250



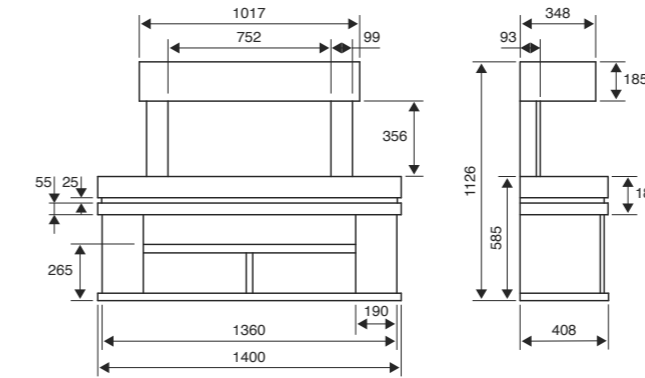
QUANTUM S1000



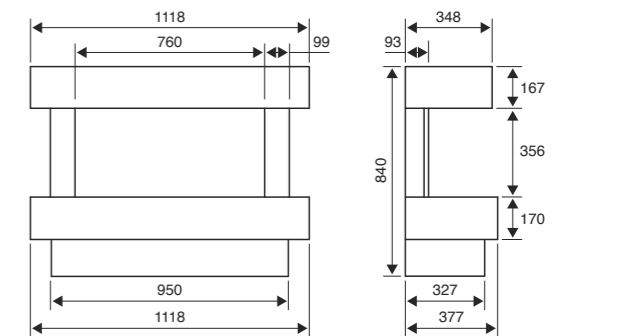
CASINO S1250



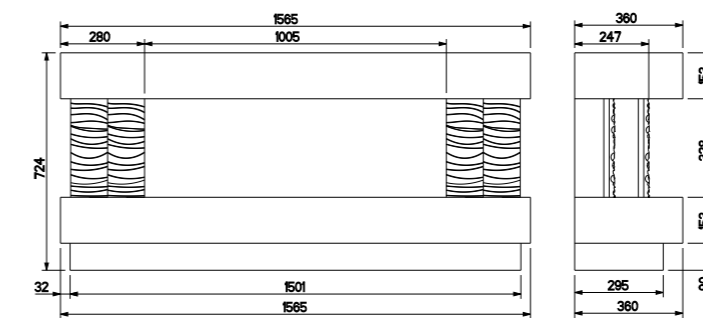
CASINO S1000



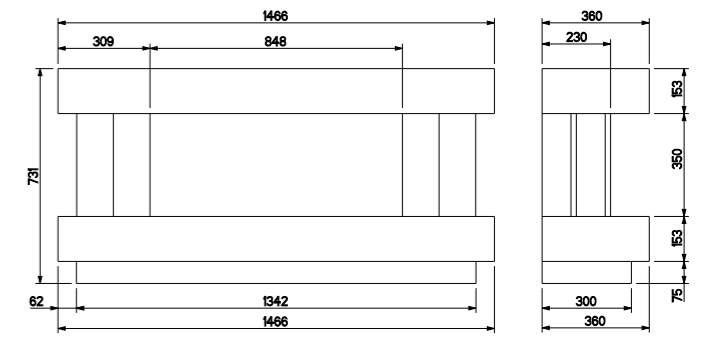
MEDIA 750



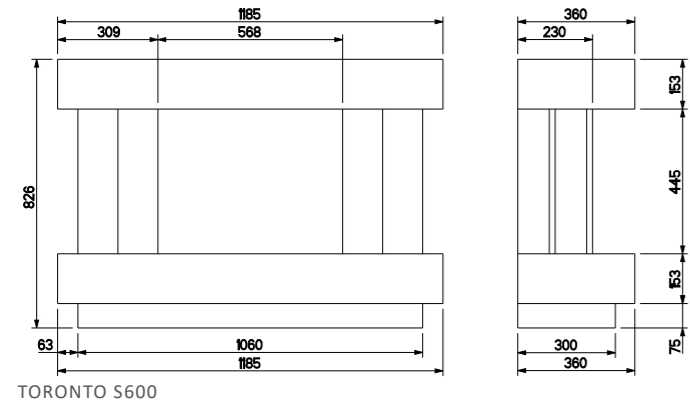
CARINO 750



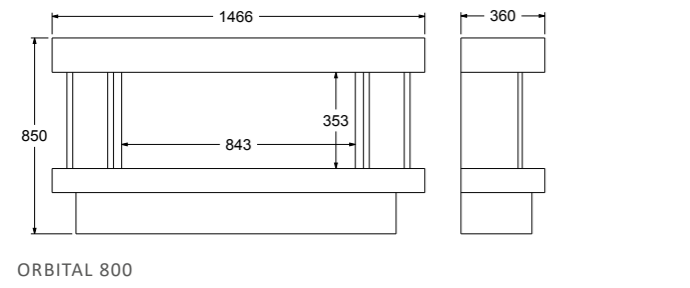
TORONTO 1000



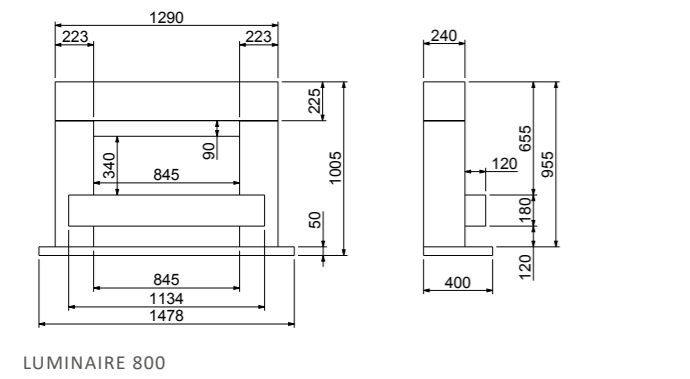
TORONTO 800



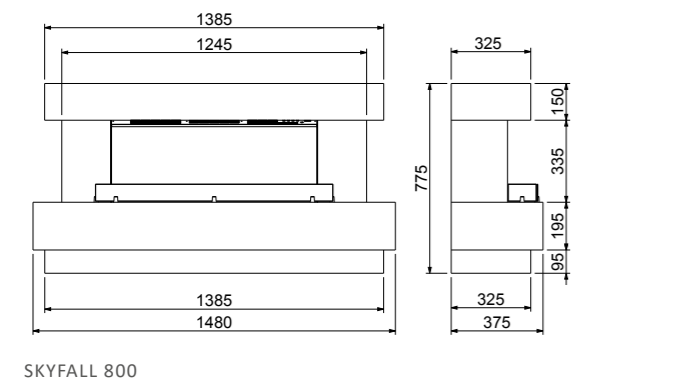
TORONTO S600



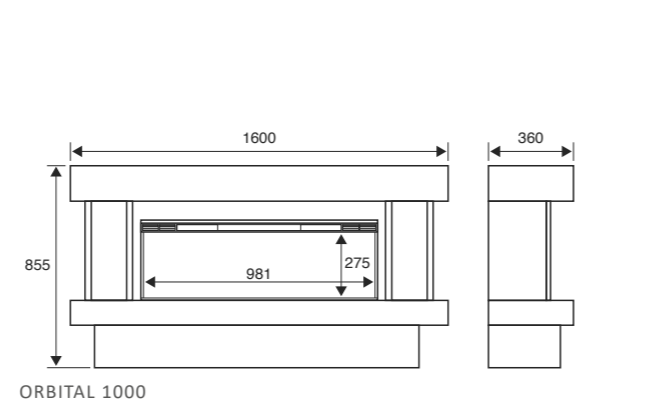
ORBITAL 800



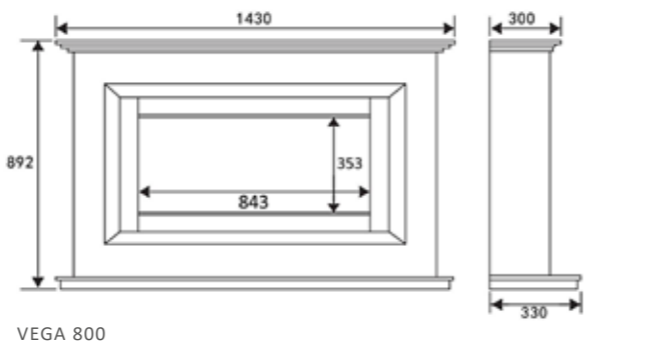
LUMINAIRE 800



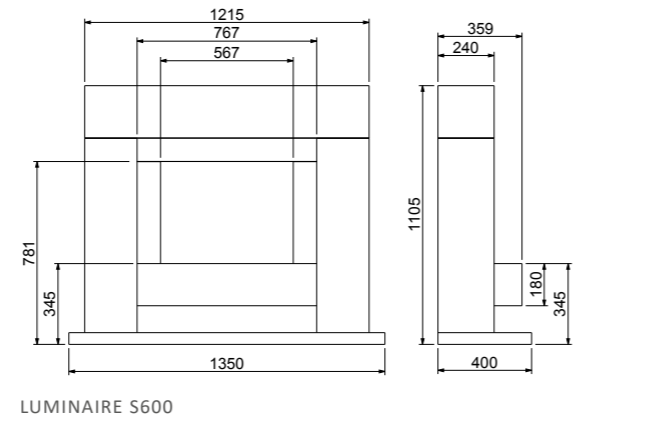
SKYFALL 800



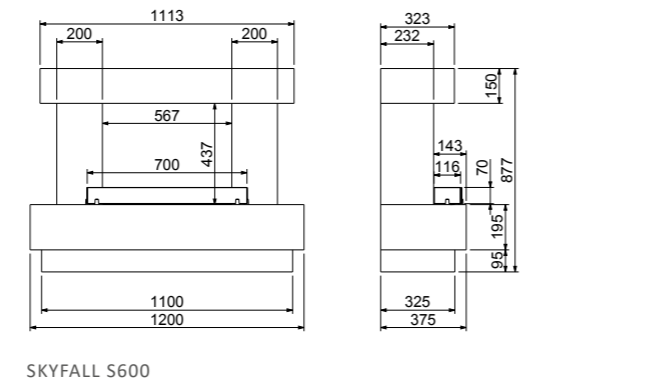
ORBITAL 1000



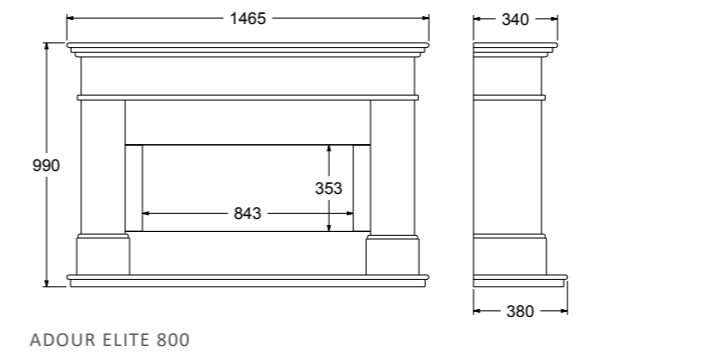
VEGA 800



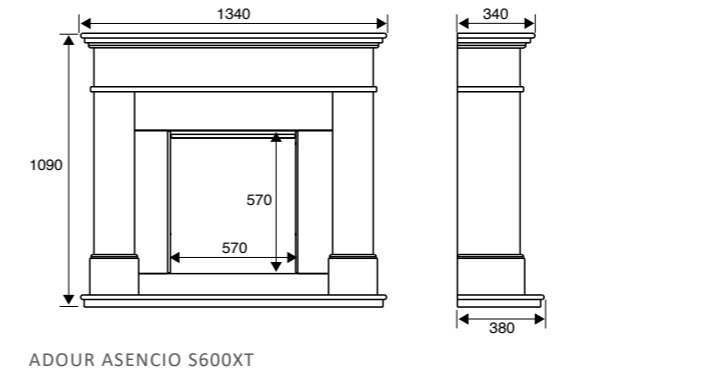
LUMINAIRE S600



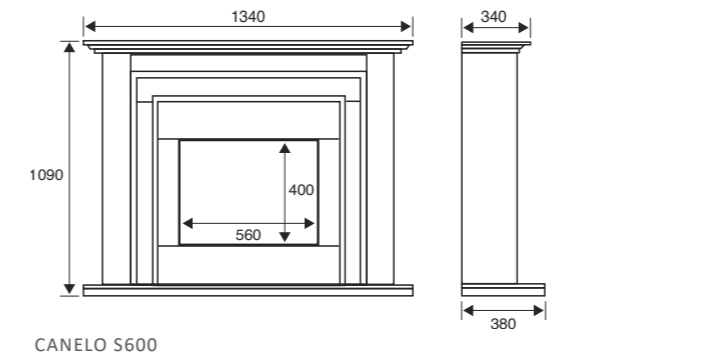
SKYFALL S600



ADOUR ELITE 800

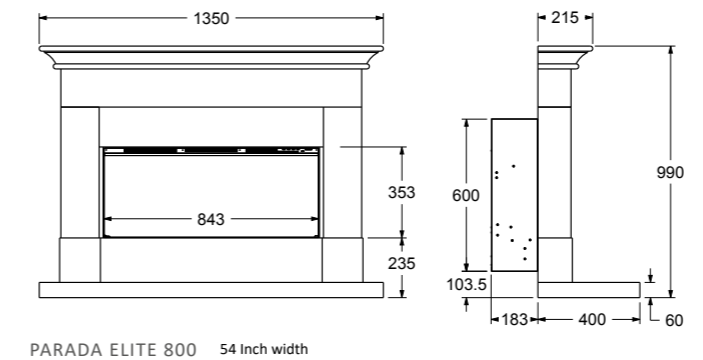


ADOUR ASENCIO S600XT

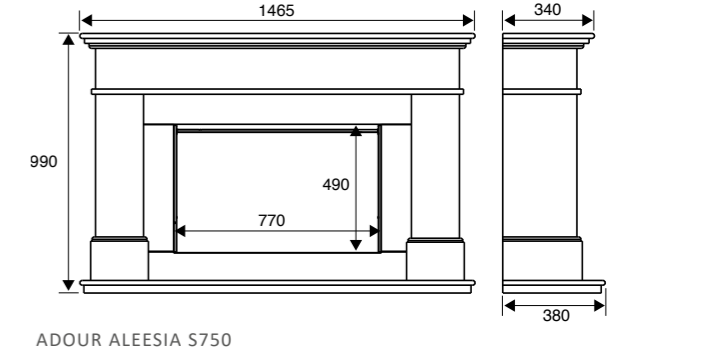


CANELO S600

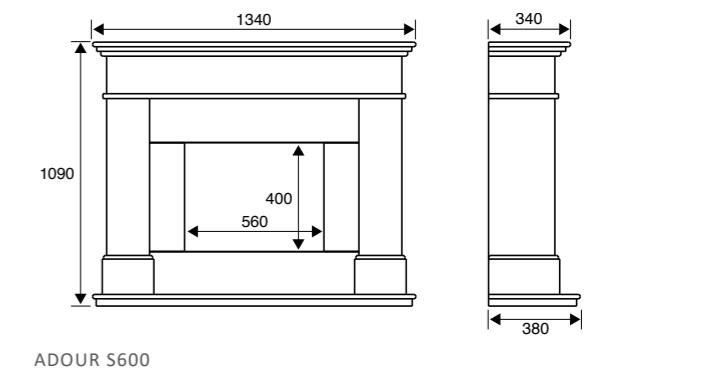
LIMESTONE SUITES



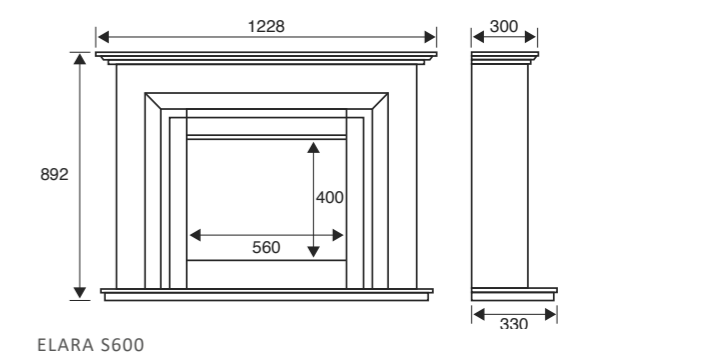
PARADA ELITE 800 54 Inch width



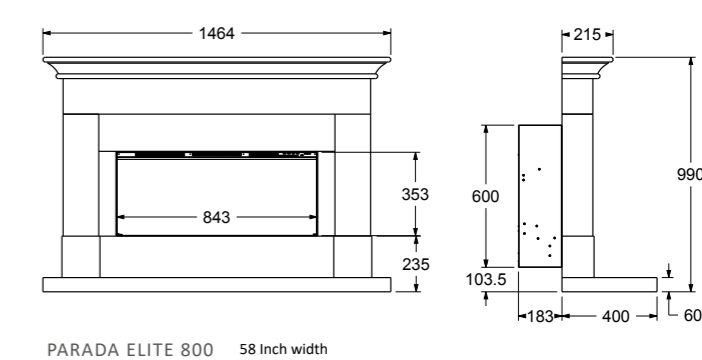
ADOUR ALEESIA S750



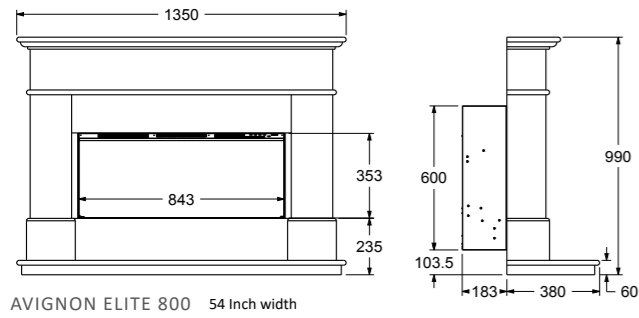
ADOUR S600



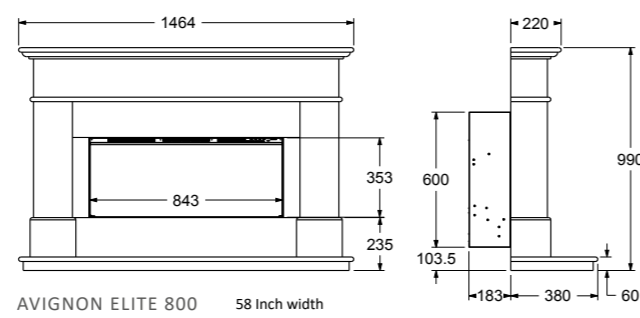
ELARA S600



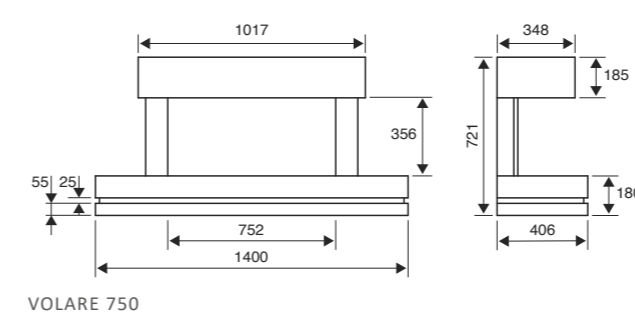
PARADA ELITE 800 58 Inch width



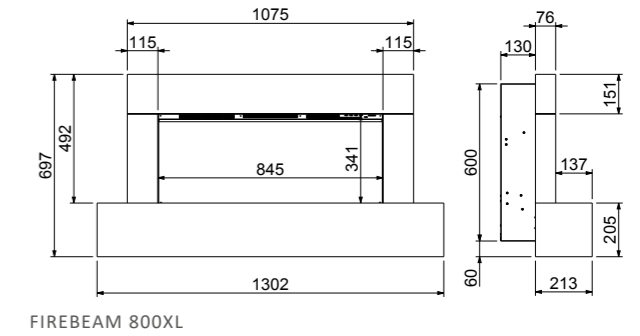
AVIGNON ELITE 800 54 Inch width



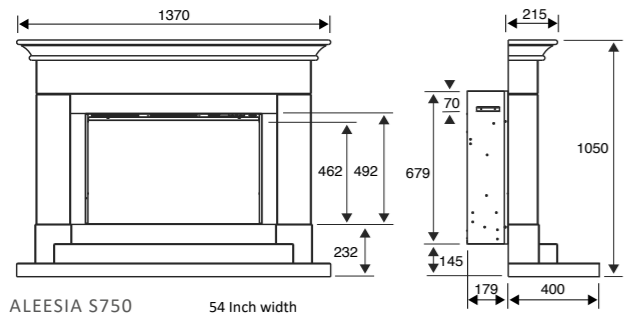
AVIGNON ELITE 800 58 Inch width



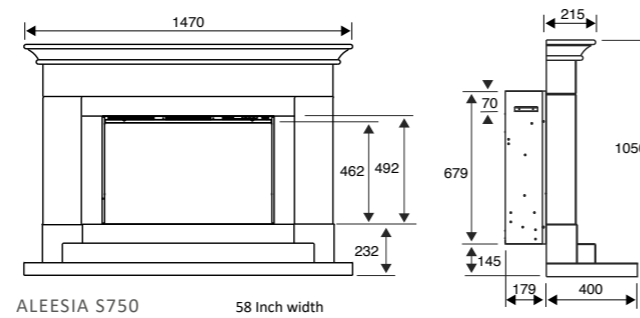
VOLARE 750



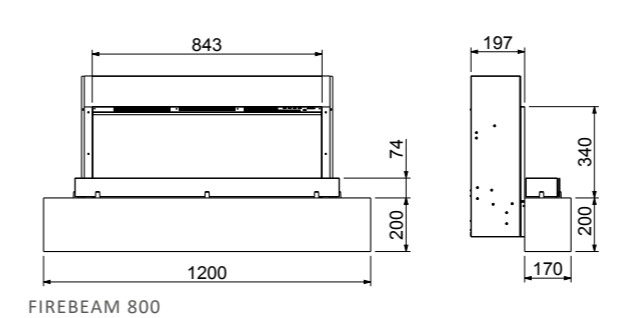
FIREBEAM 800XL



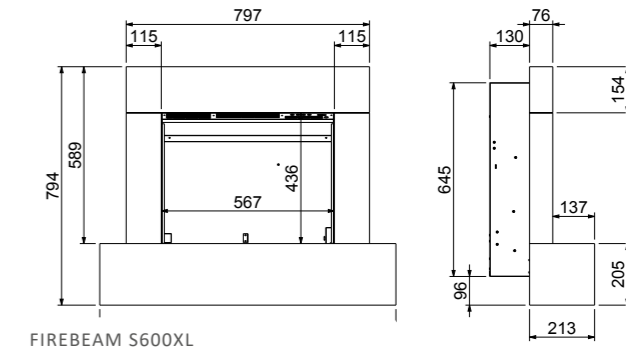
ALEESIA S750 54 Inch width



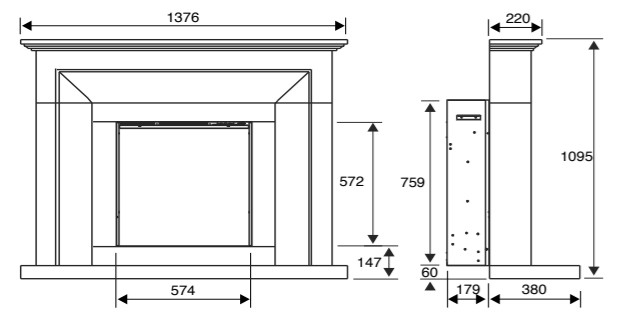
ALEESIA S750 58 Inch width



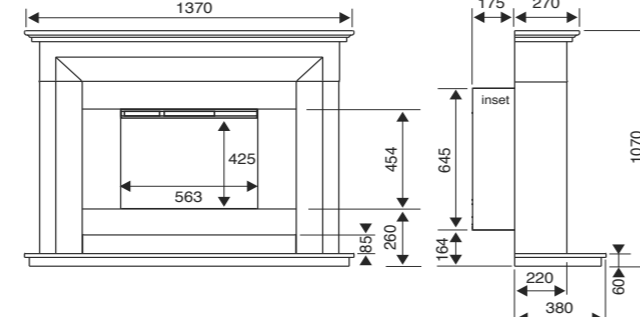
FIREBEAM 800



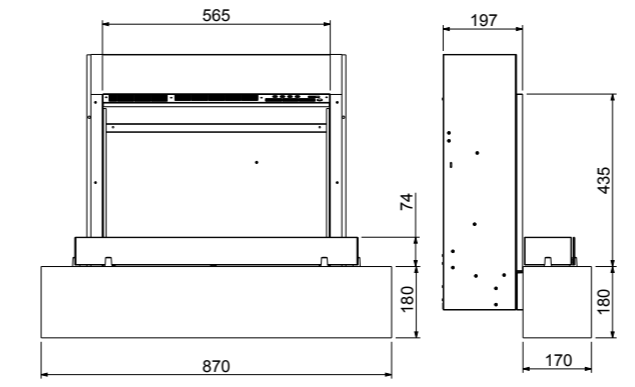
FIREBEAM S600XL



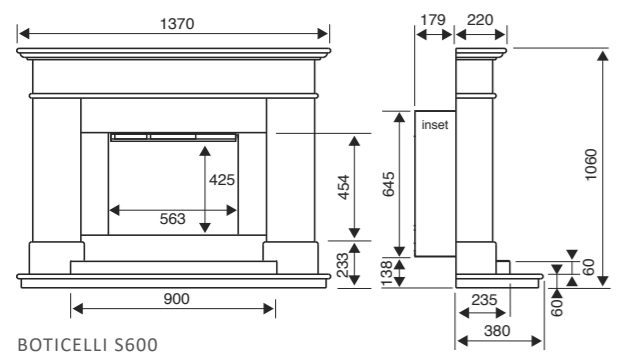
ASENCIO S600XT



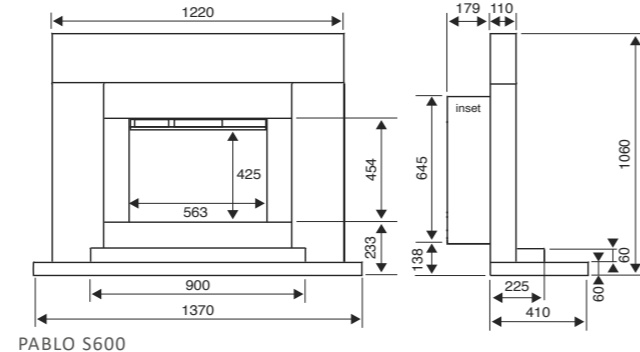
ANGELO S600



FIREBEAM S600

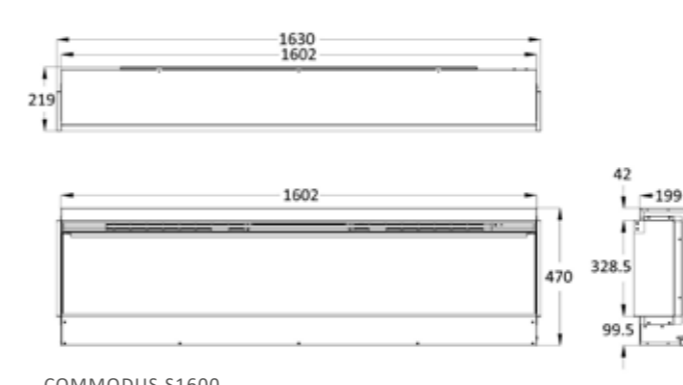


BOTICELLI S600

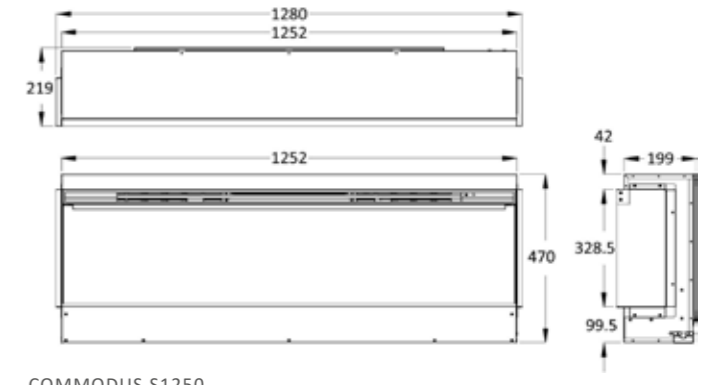


PABLO S600

BUILT-IN FIRES

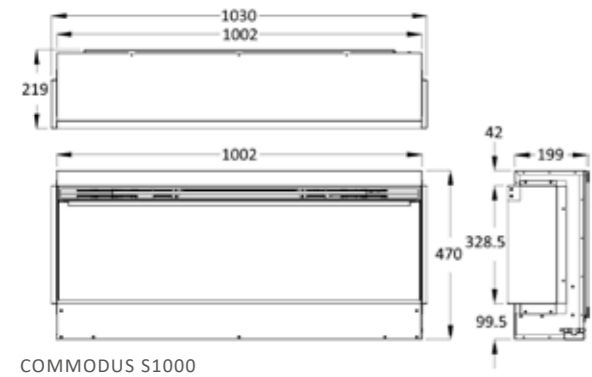


COMMODUS S1600

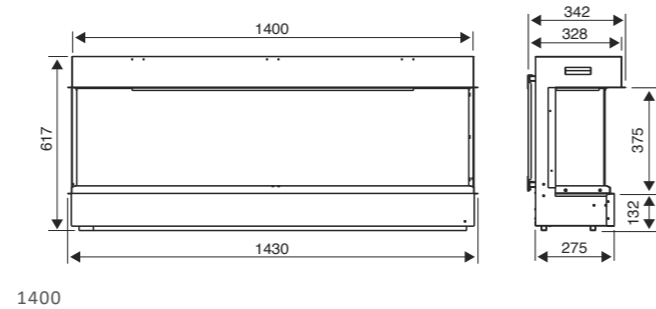


COMMODUS S1250

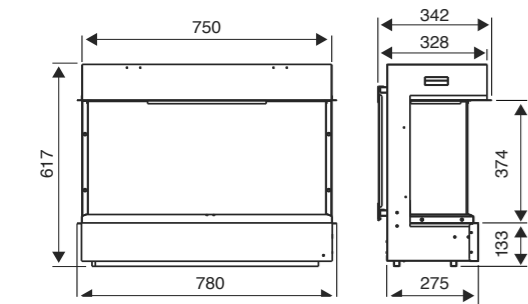
CONTINUED BUILT-IN FIRES



COMMODUS S1000

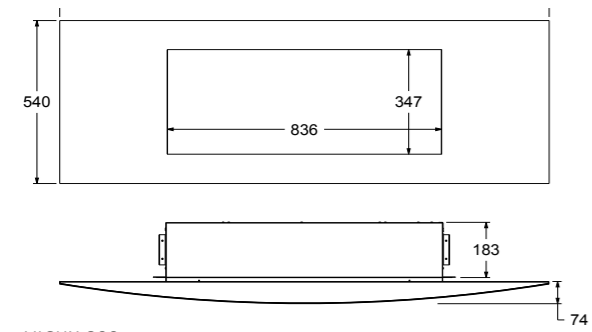


1400

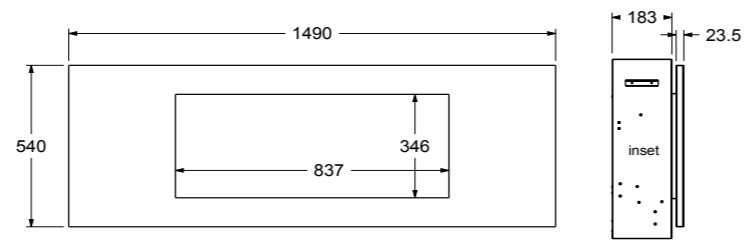


750

WALL INSET FIRES



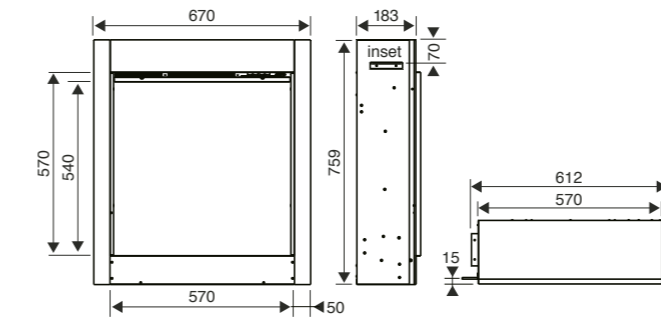
VICHY 800



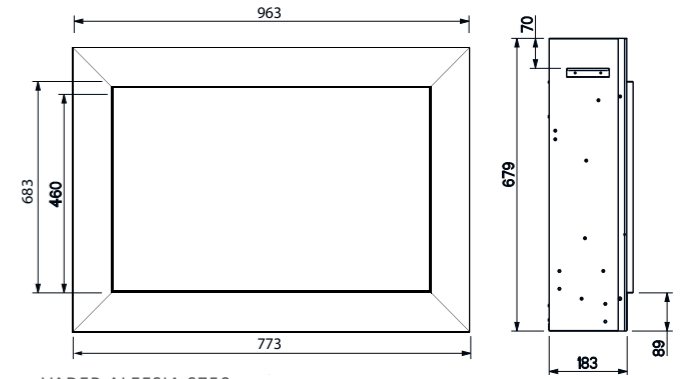
METZ 800

CONTINUED WALL INSET FIRES

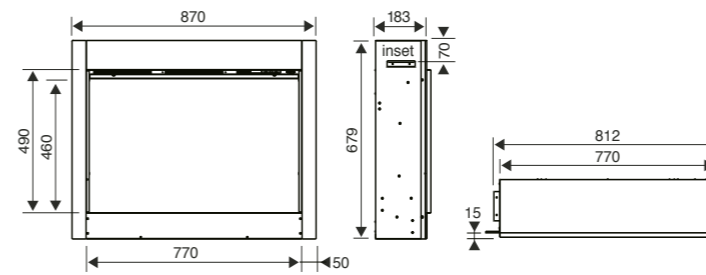
Dimensions: mm



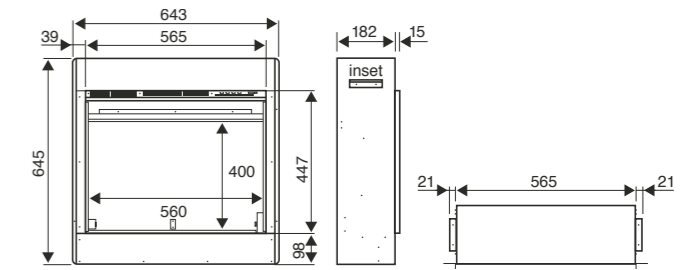
ASECIO S600XT



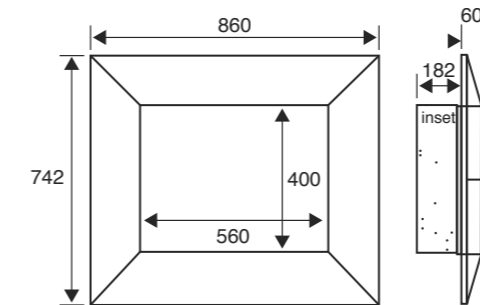
VADER ALEESIA S750



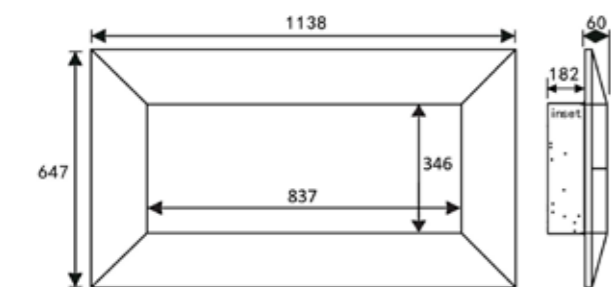
ALEESIA S750



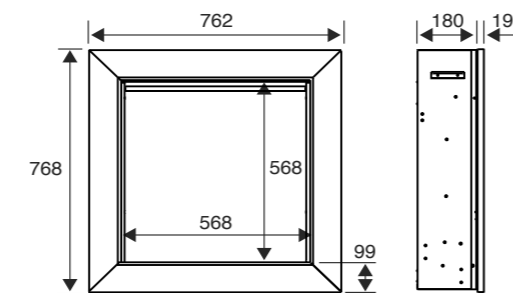
CELENA S600



IMPULSE S600

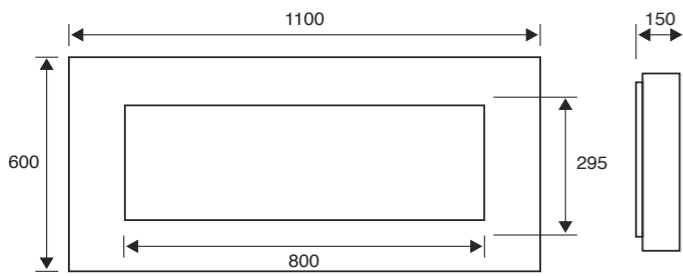


INSTINCT 800

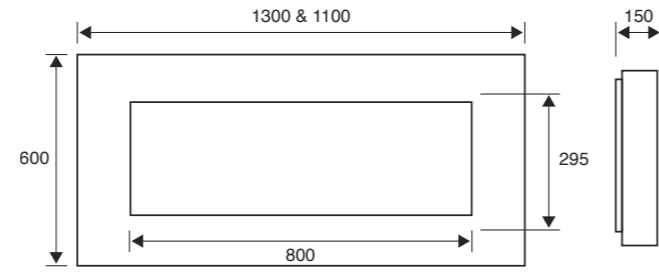


EVORA ASECIO S600XT

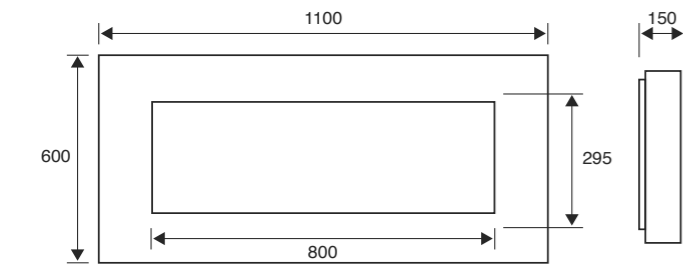
WALL MOUNTED FIRES



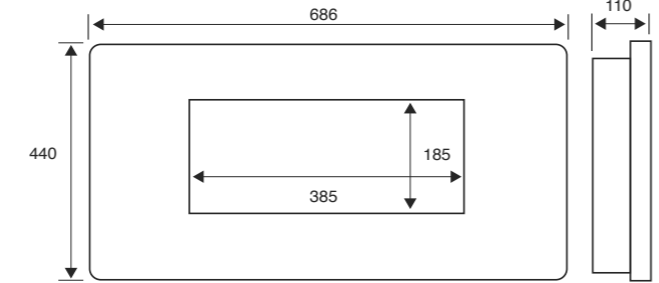
PRESTIGE 1100



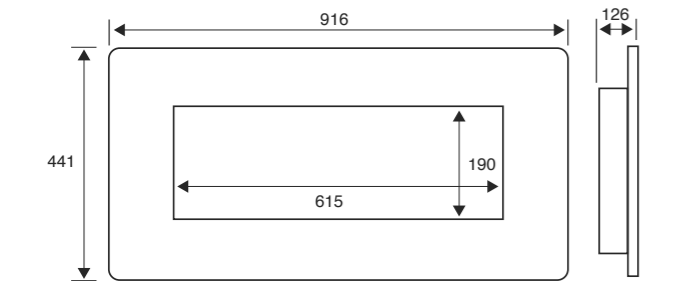
TRAVERTINE 1300/1100



ROYAL BOTTICINO 1100



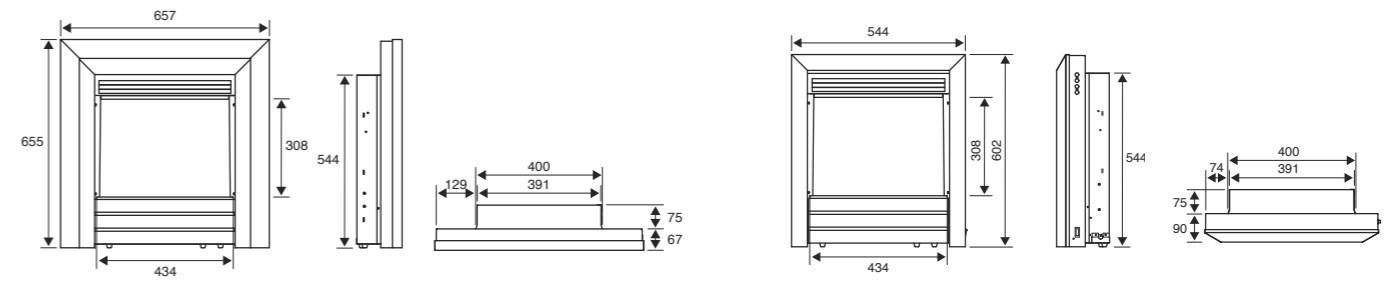
RAPTURE



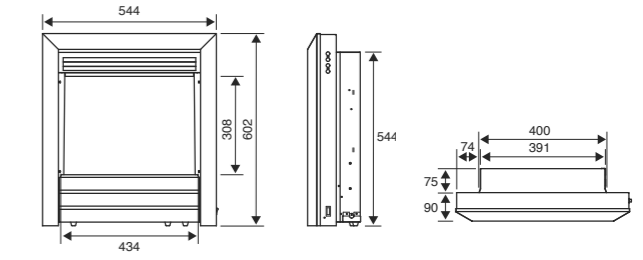
ENCHANT

HEARTH INSET FIRES

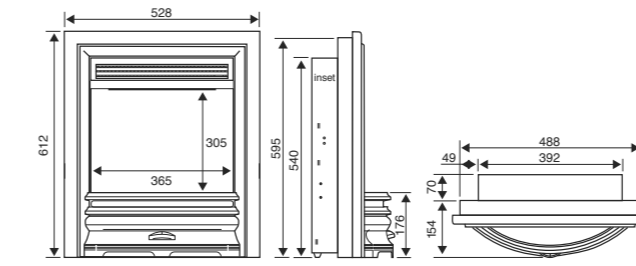
Dimensions: mm



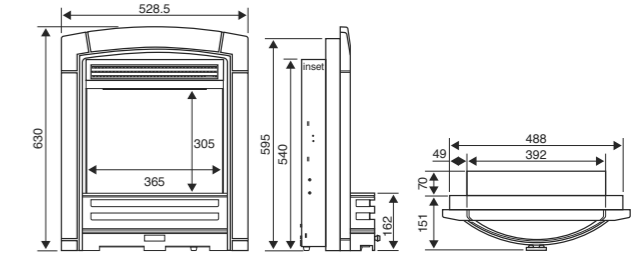
ACERO



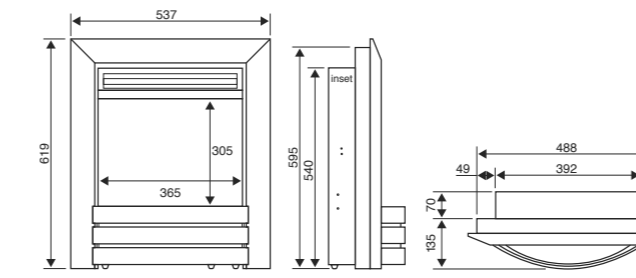
PARRILLA



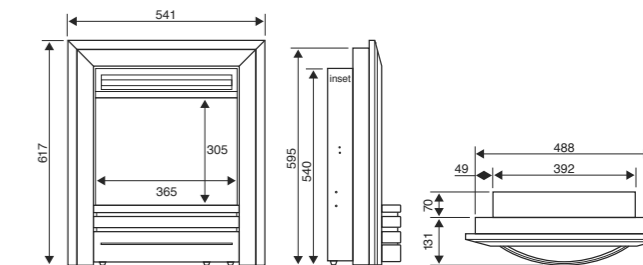
ARCADIA



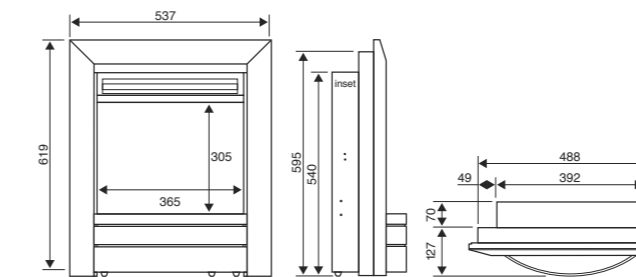
DECADENCE



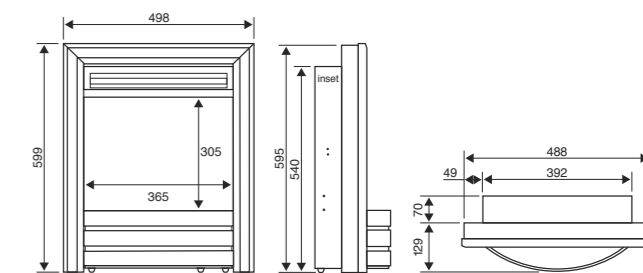
CAMBER



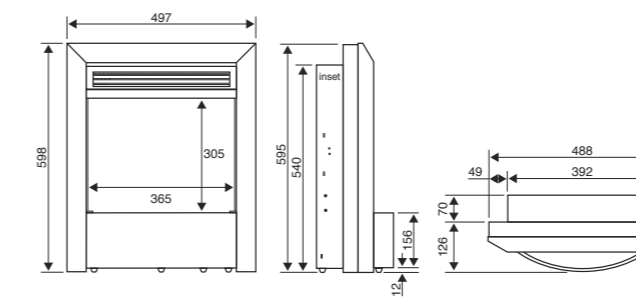
FRONTIER



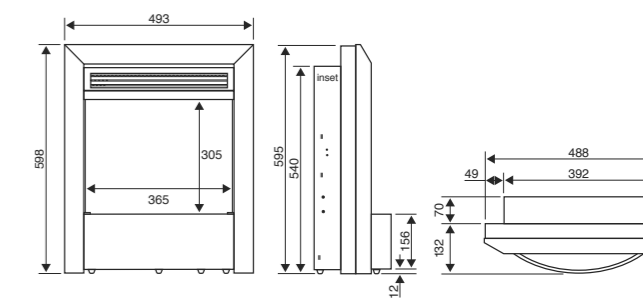
ESSENCE



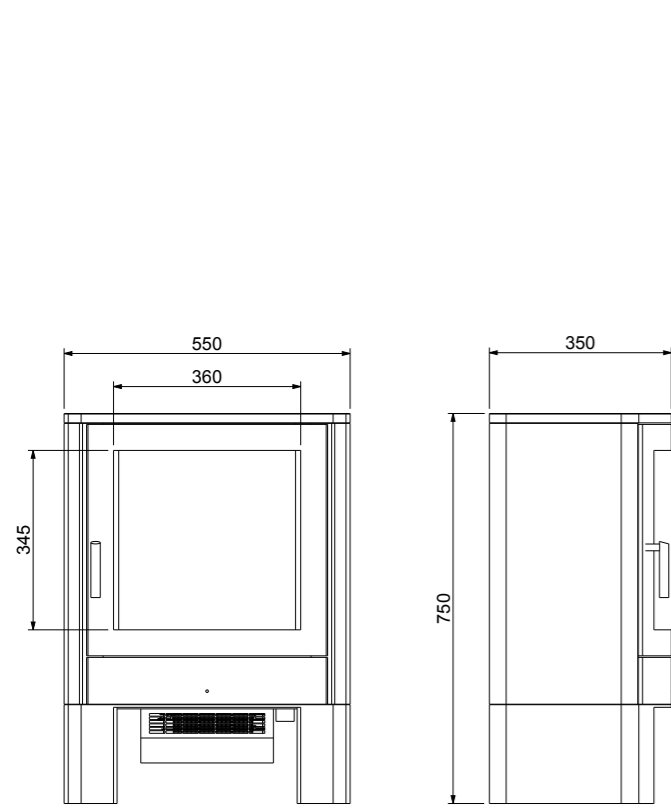
DESIGNER



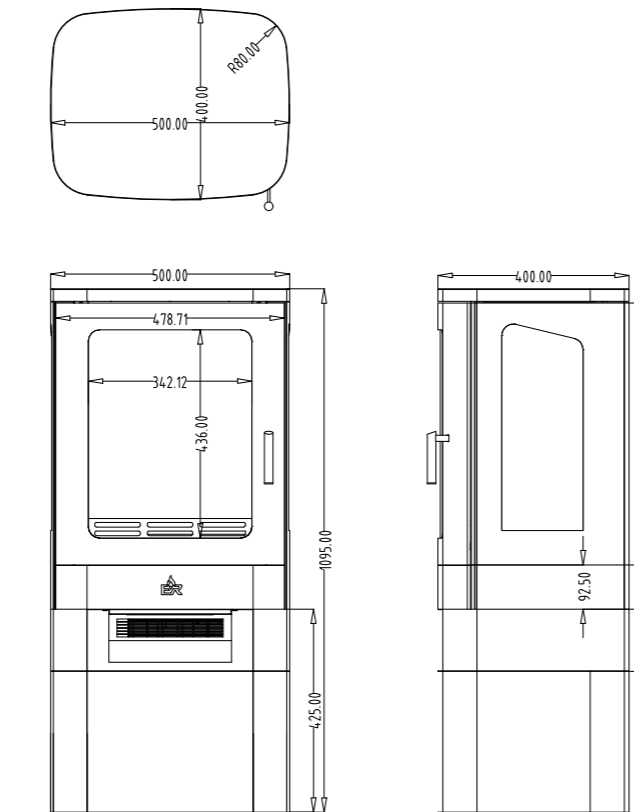
ENDURA



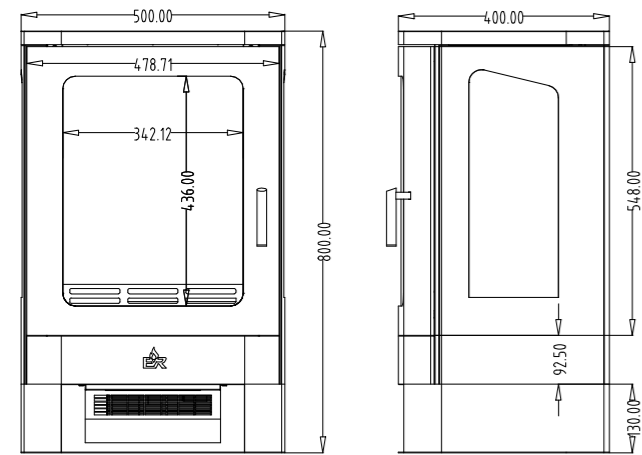
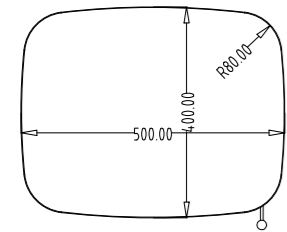
CONTEMPORARY



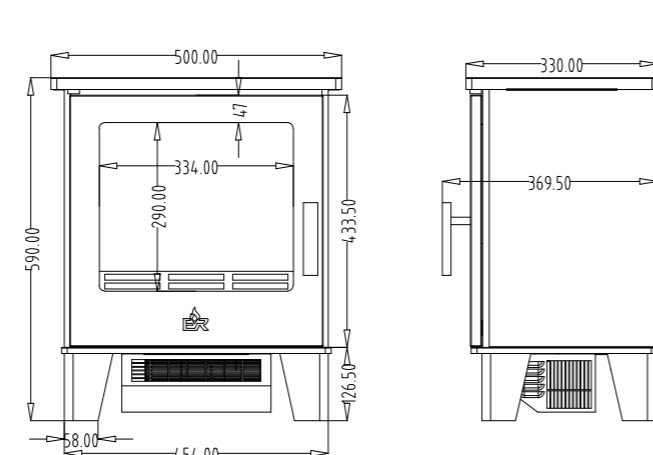
HOLOGRAM GENESIS



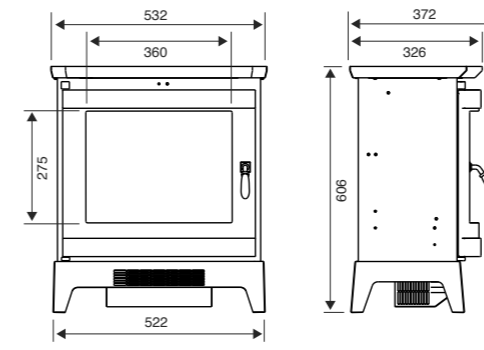
SPECTRE LS



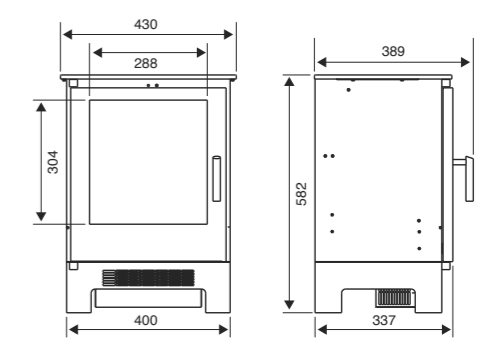
SPECTRE



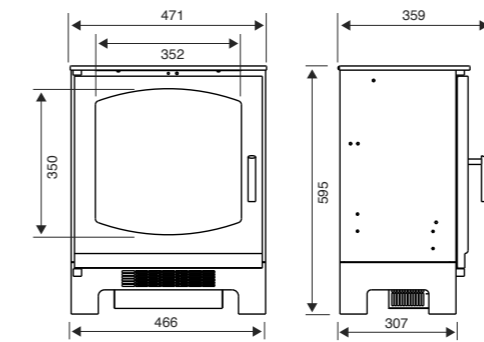
STRAFORD



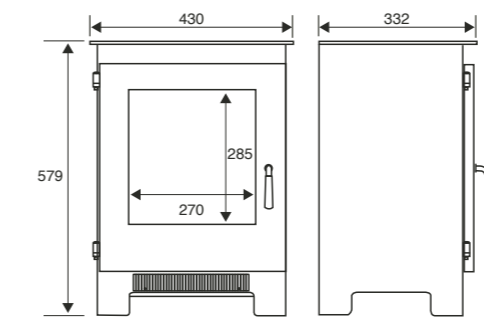
ROCHESTER



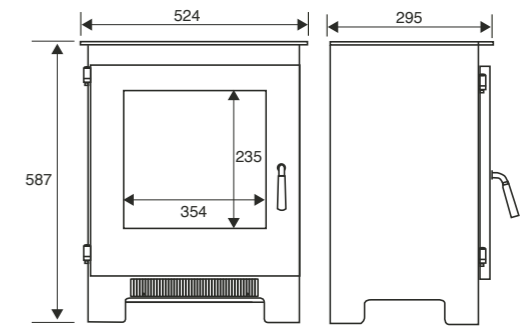
ARUNDEL



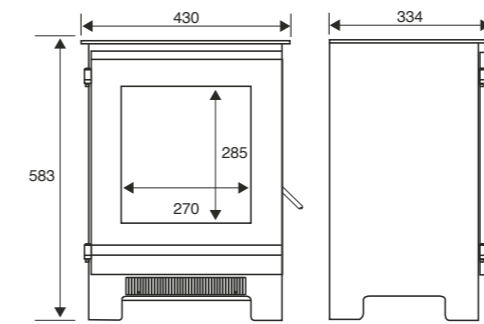
LUXIMA



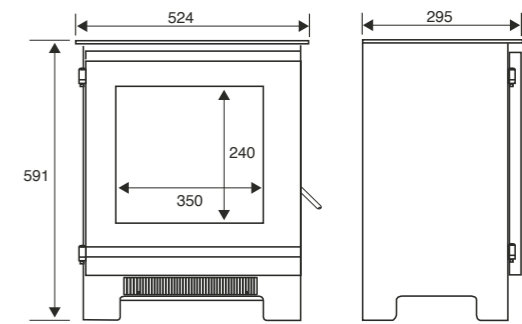
METAL 1



METAL 2



GLASS 1



GLASS 2



DISCLAIMER

Our policy is one of constant development and improvement. We therefore reserve the right to revise designs and specifications of our products without formal notice, patents pending. We always recommend our products be viewed in an approved showroom before purchase. Whilst we have taken every care in the preparation of this brochure it is not intended to replace the installation manual which provides more detailed information.

Photography is for illustration purposes only and although every effort has been made to ensure accurate reproduction of typical installations and flame pictures they may vary according to fire model and flue types.

We accept no liability for any loss or damage arising directly or indirectly from the use of this brochure.

We recommend that all our fires are used in conjunction with central heating and not as a primary source of heat.

In the interests of personal safety a suitable fireguard is recommended when children, the elderly and the infirm are present.

This brochure is copyright and must not be reproduced in whole or in any part without prior written permission.



BFM Europe Ltd, Gordon Banks Drive,
Trentham Lakes, Stoke-on-Trent ST4 4TJ

Tel: 01782 339000

Email: sales@bfm-europe.com

www.celsielectricfires.co.uk

Go direct to the Celsi website on your smart phone or tablet device and use the app to scan the black and white QR codes shown on each page. Alternatively, go to www.celsielectricfires.co.uk to browse all Celsi electric fires.

