

# The Collection

by MICHAEL MILLER

# Celena MK3

**CONVENTIONAL FLUE LOG EFFECT GAS FIRE**

**Installation, Maintenance & User Instructions**

**Hand these instructions to the user**

**Model No. DPRL\*\*SN3 & DPRL\*\*RN3 are only for use on Natural Gas (G20) at a supply pressure of 20 mbar in G.B. / I.E.**

**\*\* denotes cosmetic variant**

## **Information Requirements for Commission Regulation (EU) 2015/1188**

<b>Model Identifier</b>	<b>DPRL**SN3</b>	<b>DPRL**RN3</b>
<b>Indirect Heating Functionality</b>	<b>No</b>	<b>No</b>
<b>Direct Heat Output</b>	<b>4.0kW</b>	<b>4.1kW</b>
<b>Indirect Heat Output</b>	<b>Not Applicable</b>	<b>Not Applicable</b>
<b>Fuel</b>	<b>Natural Gas (G20)</b>	<b>Natural Gas (G20)</b>
<b>NOx Emissions</b>	<b>130mg/kWh</b>	<b>130mg/kWh</b>
<b>Nominal Heat Output</b>	<b>4.0kW</b>	<b>4.1kW</b>
<b>Minimum Heat Output (Indicative, all models)</b>	<b>1.75kW</b>	<b>1.75kW</b>
<b>Useful Efficiency at Nominal Heat Output</b>	<b>76.3%</b>	<b>78.5%</b>
<b>Useful Efficiency at Minimum Heat Output (Indicative)</b>	<b>50.0%</b>	<b>50%</b>
<b>Auxilliary Power Consumption at Nominal Heat Output</b>	<b>Not Applicable</b>	<b>0.000001kW</b>
<b>Auxilliary Power Consumption at Minimum Output</b>	<b>Not Applicable</b>	<b>0.000001kW</b>
<b>Auxilliary Power Consumption at Standby Mode</b>	<b>Not Applicable</b>	<b>0.0000005kW</b>
<b>Permanent Pilot Flame Requirement</b>	<b>Not Applicable</b>	<b>Not Applicable</b>
<b>Type of Heat Output / Room Temperature Control</b>	<b>Two or more manual control stages (no room temperature control)</b>	<b>With electronic room temp. control.</b>
<b>Contact Details</b>	<b>BFM Europe Ltd. Gordon Banks Drive Trentham Lakes North Stoke-on-Trent ST4 4TJ Tel : 01782 339000</b>	

## CONTENTS

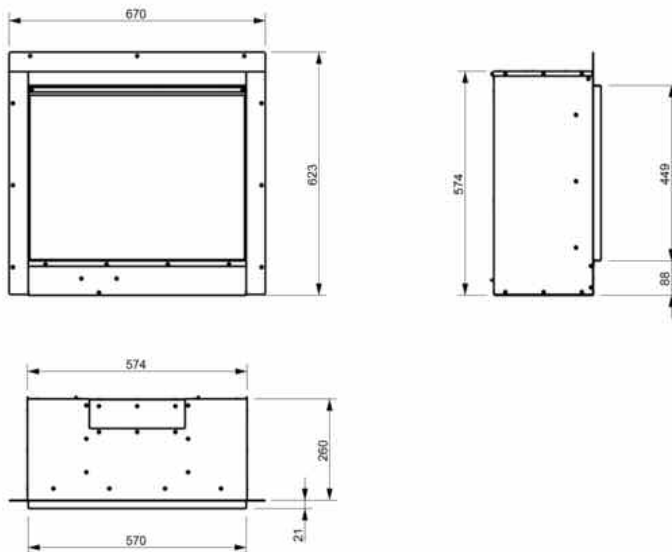
<b>Section 1</b>	<b>Information and Requirements</b>	<b>PAGE</b>
1.0	Appliance Information	3
1.1	Conditions of Installation	4
1.2	Flue and chimney suitability	4
1.3	Fireplace / surround suitability	5
1.4	Shelf position	5
1.5	Chimney inspection	5
1.6	Fire place opening / catchment space	6-7
1.7	Chair bricks	8
1.8	Metal flue boxes	8
1.9	Fitting with direct flue connection	8
1.10	Spillage monitoring system	9
<b>Section 2</b>	<b>Installation of Fire</b>	
2.1	Unpacking the fire	10
2.2	Installing the fire box	10-18
2.3	Gas tightness and inlet pressure	19
2.4	Installing the Pablo surround	20-21
2.5	Installing the Boticelli surround	22-23
2.6	Installing the Angelo surround	24-25
2.7	Checking mechanical fixing of all surround types	26
<b>Section 3</b>	<b>Assembling Fuel Bed and Commissioning</b>	
3.1	Fitting the log fuelbed	27-31
3.2	Fitting the batteries - remote control models	32
3.3	Operation of the fire - remote control models	33-44
3.4	Lighting the fire - remote control models	37-40
3.5	Advanced settings of remote control	40-44
3.6	Operation of the fire - slide control models	45-46
3.7	Checking for clearance of combustion products	47
3.8	Removal / re-fitting the restrictor baffle	48
3.9	Fitting the optional trim assembly	48
3.10	Requirements to Fit a Carbon Monoxide Alarm	49
<b>Section 4</b>	<b>Maintenance</b>	
4.1	Removal of the burner assembly (all models)	50
4.2	Removal of the control valve - remote control models	50
4.3	Removal of the control valve - slide control models	51
4.4	Removal of the oxy pilot - remote control models	51
4.5	Removal of the oxy pilot - slide control models	51-52
4.6	Removal of the battery igniter - slide control models	52
4.7	Replacing the battery in the handset - remote control models	52
4.8	Replacing the batteries in the fire - remote control models	52
4.9	Replacing the battery in the fire - slide control models	53
4.10	Access and checking the flue debris void	53
4.11	Spare parts shortlist	54
<b>Section 5</b>	<b>User Instructions Section</b>	
5.1	Conditions of installation	55
5.2	About your new fire	56
5.3	Operating the fire - remote control models	57-60
5.4	Setting the time, date and temperature on the remote handset	61-64
5.5	Advanced settings of the remote control	65-68
5.6	Operating the fire - slide control models	69
5.7	Changing the batteries - remote control models	70
5.8	Changing the battery - slide control models	71
5.9	Cleaning instruction	72
5.10	Removal / re-fitting the glass panel	73
5.11	Removal / replacement of the fuelbed	74-78
5.12	User replaceable parts	79

## SECTION 1 INFORMATION AND REQUIREMENTS

### 1.0 APPLIANCE INFORMATION

Model	DPRL**SN3	DPRL**RN3
Gas Type	G20	G20
Main injector (1 off)	Size 1.80	Size 1.80
Pilot Type	SIT NG 9055	ERTA-PG-82-330/2
Max. Gross Heat Input :	5.8kW	5.8kW
Min. Gross Heat Input :	3.5kW	3.5kW
Cold Pressure :	20.0 +/-1.0 mbar	20.0 +/-1.0 mbar
Ignition :	1.5V Battery Generator	Via remote
Electrode Spark Gap	4.0mm	4.0mm
Packed Weight	33.0kg	33.0kg
Gas Connection :	8mm Compression (supplied with fire)	8mm Compression (supplied with fire)

**Fig. 1**



#### Appliance Efficiency Declaration

The efficiency of this appliance has been measured as specified in BS 7977-1 : 2009 +A1 : 2013 and the result is 76.3% for slide control models and 78.5% for remote control models. The net calorific value of the fuel has been used for this efficiency calculation.

The test data from which it has been calculated has been certified by BSI. The efficiency value may be used in the UK Government's Standard Assessment Procedure (SAP) for energy rating of dwellings.

# INSTALLATION REQUIREMENTS

## 1.1 CONDITIONS OF INSTALLATION

It is the law that all gas appliances are installed only by a GAS SAFE Registered Installer, in accordance with these installation instructions and the Gas Safety (Installation and Use) Regulations 1998 as amended. Failure to install appliances correctly could lead to prosecution. It is in your own interest and that of safety to comply with the law.

The installation must also be in accordance with all relevant parts of the Local and National Building Regulations where appropriate, the Building Regulations (Scotland Consolidation) issued by the Scottish Development Department, and all applicable requirements of the following British Standard Code of Practice.

1. B.S. 5871 Part 2 Installation of Inset Fuel Effect Gas Fires
2. B.S. 6891 Installation of Gas Pipework
3. B.S. 5440 Parts 1 & 2 Installation of Flues and Ventilation
4. B.S. 1251 Open fire place components
5. B.S. 715 Metal flue pipes for gas appliances
6. B.S. 6461 Part 1 Installation of Chimneys and flues
7. B.S. E.N. 1858 Chimneys Components & Concrete Flue Blocks
8. I.S. 813 : 1996 Domestic Gas Installation (Republic of Ireland)

**No purpose made additional ventilation is normally required for this appliance, when installed in G.B. When installing in I.E. please consult document I.S. 813 : 1996 Domestic Gas Installation, which is issued by the National Standards Authority of Ireland. If installing in Northern Ireland, please consult local building regulations. Any purpose made ventilation must be checked periodically to ensure that it is free from obstruction.**

## 1.2 FLUE AND CHIMNEY SUITABILITY

This appliance is designed for use with conventional brick built or lined chimneys and fabricated flues conforming to BS 715. All flues must conform to the following minimum dimensions.

<b>Minimum diameter of circular flues</b>	<b>125 mm (without flue restrictor fitted)</b>
<b>Minimum effective height of all flue types</b>	<b>3 metres</b>

**When fitting to conventional chimneys or 175mm flues it may be desirable to leave the flue restrictor baffle (supplied) in place to reduce the flue flow and increase the efficiency of the fire. Safe clearance of products must always be checked by carrying out a smoke match test as described.**

### 1.3 FIREPLACE / SURROUND SUITABILITY

**The fire must not be installed directly onto carpet or other combustible floor materials.**

If a heating appliance is fitted directly against a wall combustible material must be removed from behind it. Soft wall coverings such as blown vinyl, wall paper etc. could be affected by the rising hot air and scorching and/or discoloration may result. Due consideration should be made to this when installing or decorating.

### 1.4 SHELF POSITION

The fire may be fitted below a combustible shelf providing there is a minimum distance of 200mm above the top of the fire and the shelf does not project more than 150mm. If the shelf overhangs more than 150mm the distance between the fire and the shelf must be increased by 15mm for every 25mm of additional overhang over 150mm.

### 1.5 FLUE / CHIMNEY INSPECTION

Before commencing installation, a flue or chimney should be inspected to ensure that all the following conditions are satisfied.

1. Check that the chimney / flue only serves one fire place and is clear of any obstruction. Any dampers or register plates must be removed or locked in the open position.
2. Brick/stone built chimneys or any chimney or flue which has been used for an appliance burning fuel other than gas must be thoroughly swept. The base of the chimney / flue must also be thoroughly cleared of debris etc.
3. Any under-floor air supply to the fire place must be completely sealed off.
4. Ensure that the inside of the chimney / flue is in good condition along its length and check that there is no leakage of smoke through the structure of the chimney during and after the smoke pellet test.
5. **Using a smoke pellet, check that there is an up-draught in the chimney / flue and that the smoke can be seen issuing from the terminal / chimney pot outside. There must be no leakage of smoke through the structure of the chimney during or after the smoke pellet test and it is important to check inside upstairs rooms adjacent to the chimney / flue.** Check the chimney pot / terminal and general condition of the brickwork or masonry. If the chimney or flue is in poor condition or if there is no up-draught do not proceed with the installation. If there is a history of down-draught conditions with the chimney / flue, a tested and

certificated flue terminal or cowl suitable for the relevant flue type should be considered.

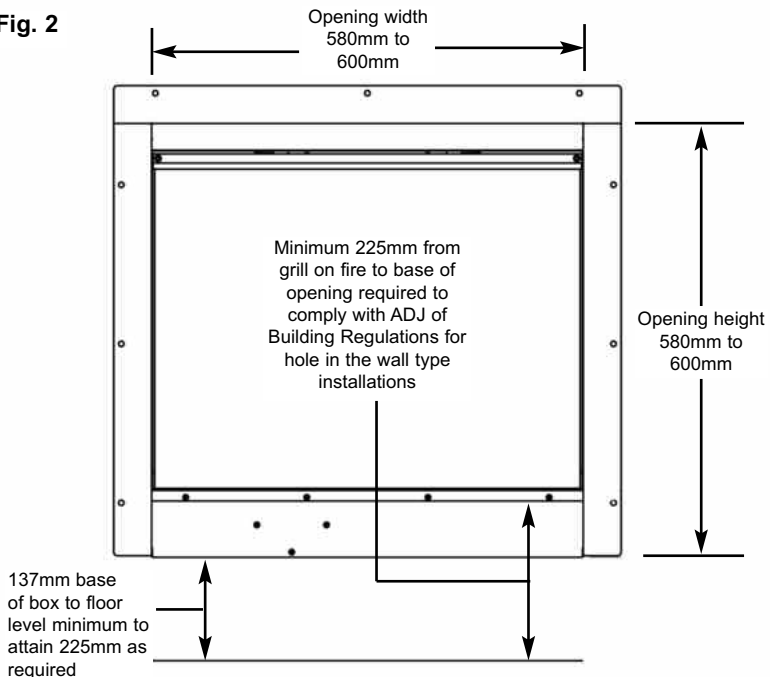
6. **A spillage test must always be carried out during commissioning of the appliance.**

## 1.6 FIRE PLACE OPENING

### 1.6.1 Fireplace Opening for Engine Only Applications

The front opening of the fire place must be between 580mm and 600mm wide, between 580mm and 600mm high and 300mm deep. If the opening exceeds these dimensions then a surround must be constructed from suitable non-combustible material to produce a correct size opening. Any surround must be suitably sealed to the fire place to prevent leakage. See below in figure 2.

**Fig. 2**



**NOTE** :- If installing with a retailer designed surround package **please consult the retailer to determine installation height required for the fire.**

When installing into a brick built chimney, you must ensure that there is sufficient depth to accommodate any debris which may fall from the chimney. This depth must be sufficient to accommodate 12 litres of volumetric space in a conventional brick built chimney.

### 1.6.3 Fireplace Opening for Pablo, Boticelli & Angelo Surround Types -

If fitting this fire with a surround supplied from “The Collection by Michael Miller” then the fireplace opening of width / height of 580mm minimum to 600mm maximum needs to be prepared at differing heights dependent upon which surround type is to be installed.

See figure 3 below for individual heights required by surround type.

**Fig. 3**

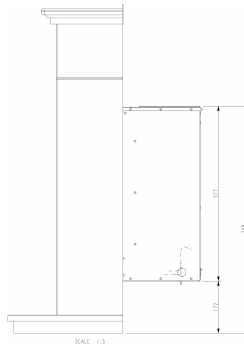
#### **Pablo Surround**

Opening to be 146mm from floor level to base of opening



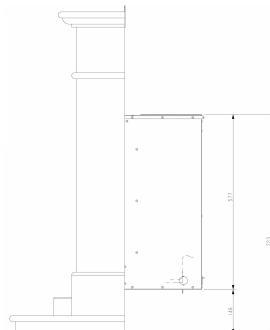
#### **Angelo Surround**

Opening to be 172mm from floor level to base of opening



#### **Boticelli Surround**

Opening to be 146mm from floor level to base of opening

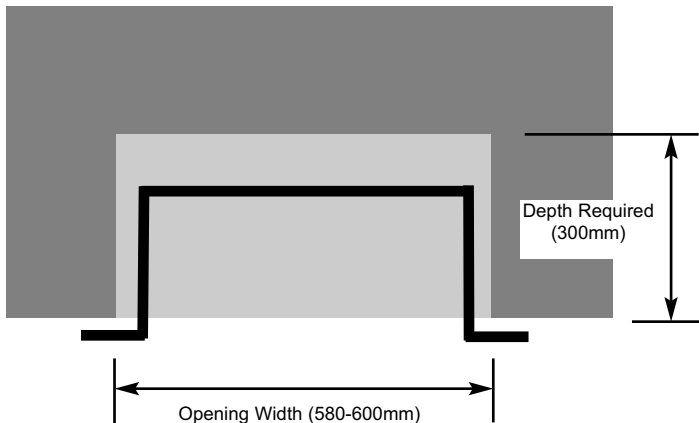




**Table A - Installation Depth Requirements for The Collection Celena MK3 being installed into a brick built chimney, requiring 12.0 litres of debris collection volume (figure 4).**

Opening Width (mm)	Minimum Depth Required (mm)
580-600mm	300mm

**Fig. 4**



**1.7 FITTING TO FIREPLACES WITH EXISTING CHAIRBRICKS AND CONVENTIONAL BRICKBUILT CHIMNEYS**

This appliance is not suitable for use in fireplaces fitted with an existing chairbrick without the removal of the chairbrick.

**1.8 FITTING TO PRE-FABRICATED TWIN WALL METAL FLUE BOXES**

The appliance may be fitted to twin wall metal flue boxes conforming to the constructional requirements of BS 715. The top face of the box must be insulated with a minimum thickness of 50mm of non-combustible mineral wool insulation or similar material. The flue box must stand on a non-combustible base of minimum thickness 12mm. A suitable box is available from the manufacturer, please quote part number 1176-180120.

**1.9 FITTING WITH DIRECT FLUE CONNECTION**

This appliance may be fitted with a direct flue connection via the use of an optional flue adaptor, part number 1192-1004909. The minimum effective flue height must conform with section 1.2, if fitting with the flue adaptor the restrictor must not be installed.

## 1.10 SPILLAGE MONITORING SYSTEM

This appliance is fitted with an atmosphere sensing spillage monitoring system in the form of an oxygen sensing burner. This is designed to shut the fire off in the event of a partial or complete blockage of the flue causing a build up of combustion products in the room in which the fire is operated. **The following are important warnings relating to this spillage monitoring system :-**

- 1.10.1 The spillage monitoring system must not be adjusted by the installer.
- 1.10.2 The spillage monitoring system must not be put out of operation.
- 1.10.3 When the spillage monitoring system is exchanged only a complete original manufacturers part may be fitted.

## SECTION 2 INSTALLATION OF FIRE

### 2.1 UNPACKING THE FIRE

Carefully lift the fire out of the carton. Remove the loose item packaging, check the contents as listed below :-

**NOTE : DO NOT UNDER ANY CIRCUMSTANCES USE THIS APPLIANCE IF THE GLASS PANEL IS BROKEN OR NOT SECURELY FIXED TO THE FIREBOX.**

#### Packing Check List - All Models

##### **Pack 1 - Fire Pack**

- 1 off Combustion chamber / burner
- 1 off Boxed log set (packed inside combustion chamber)
- 1 off Loose items pack – containing :-
  - 1 off fixing kit, 1 off Embaglow,
  - 1 off handset (RC models only),
  - 1 off gas inlet grommet, 5 off AA batteries (RC model only),
  - 1 off Installation / user manual,
  - 1 off guarantee card,
  - 1 off flue restrictor baffle & 2 off fixing screws.

##### **Pack 2 - Optional Trim (If selected)**

- 1 off 4 sided trim assembly (magnets supplied fitted on mounting flange of fire)

##### **Pack 3 - Surround (If selected)**

- 1 off Supplied in wooden crate, see section 2.4, 2.5 & 2.6

### 2.2 INSTALLING THE FIRE BOX

Establish which type of flue you are intending to install the fire in to :-

**225 x 225mm (9 inch x 9 inch) brick built chimneys**

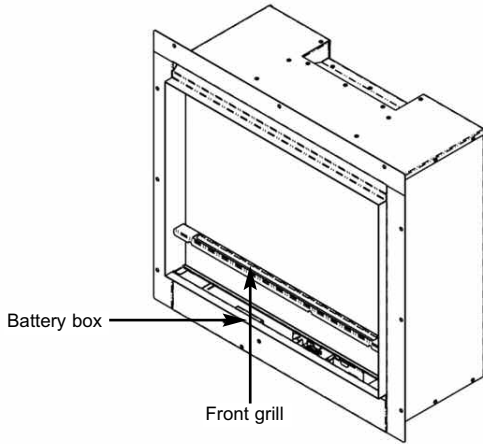
**175mm (7 inch) diameter lined brick or stone flue, or insulated pre-fabricated metal flue box to B.S. 715.**

**When installing into 125mm (5 inch) diameter lined brick or stone flue, or insulated pre-fabricated metal flue box to B.S. 715, the restrictor baffle must not be fitted.**

**A spillage test must always be carried out to check satisfactory clearance of flue products, regardless of the type of flue the appliance is being fitted to.**

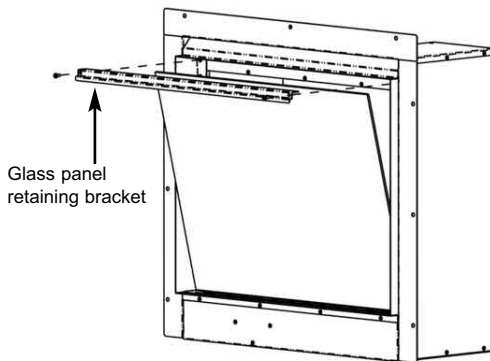
2.2.1 Remove the front grill by lifting clear. On remote control models unplug the battery box at the white terminal block as shown below in figure 5.

**Fig. 5**



2.2.2 Remove the two off screws which secure the glass panel retaining bracket as shown below in figure 6, then tilt the glass panel forward to remove it. Take care not to allow the glass panel to fall forwards under its own weight.

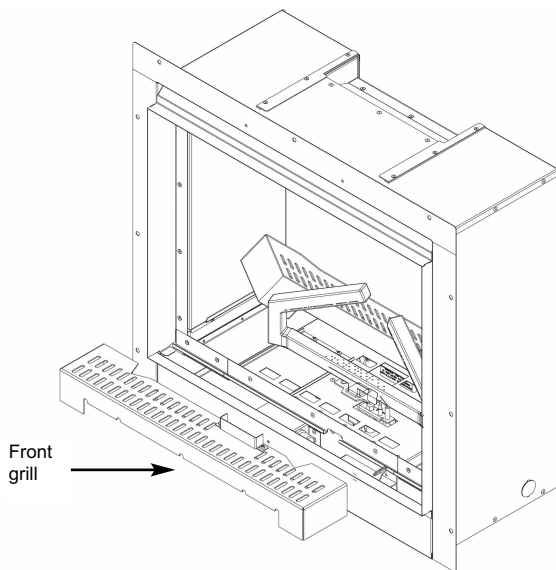
**Fig. 6**



- 2.2.3 Store the glass panel in a safe place.
- 2.2.4 Re-assemble in reverse order when re-fitting the glass assembly.
- 2.2.5 **DO NOT OPERATE THE FIRE WITHOUT THE GLASS PANEL IN POSITION OR NOT CORRECTLY LOCATED.**

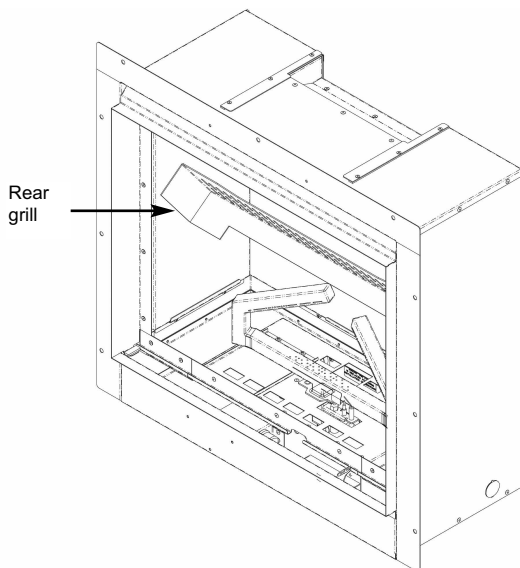
2.2.6 Remove the front fuel-bed support grill by lifting clear as shown below in figure 7.

**Fig. 7**



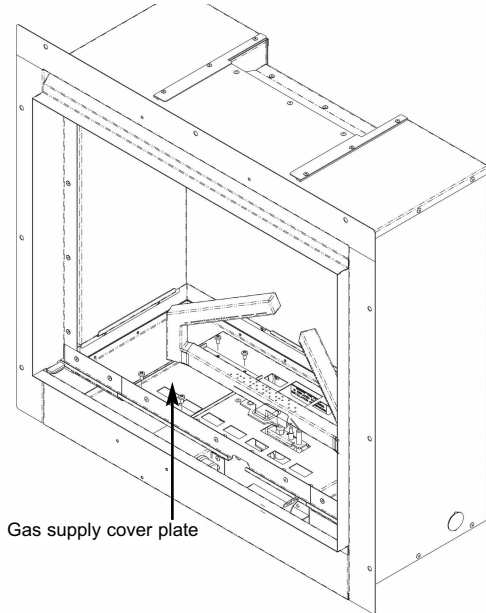
2.2.7 Remove the rear fuel-bed support grill by firstly tilting towards the rear vertically to remove as shown below in figure 8.

**Fig. 8**



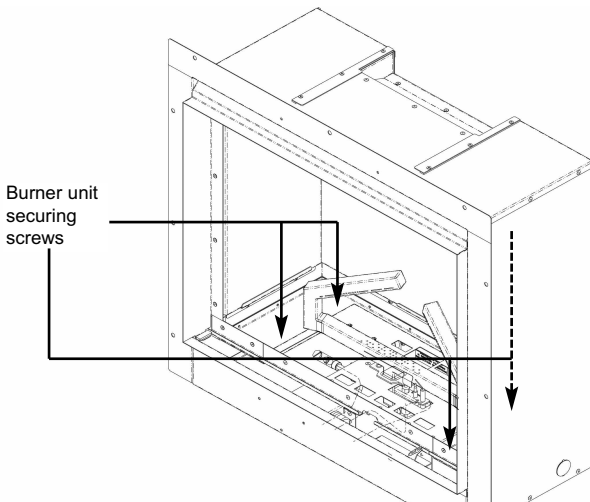
2.2.8 Remove the gas inlet cover plate by removing the 4 off screws as shown below in figure 9.

**Fig. 9**



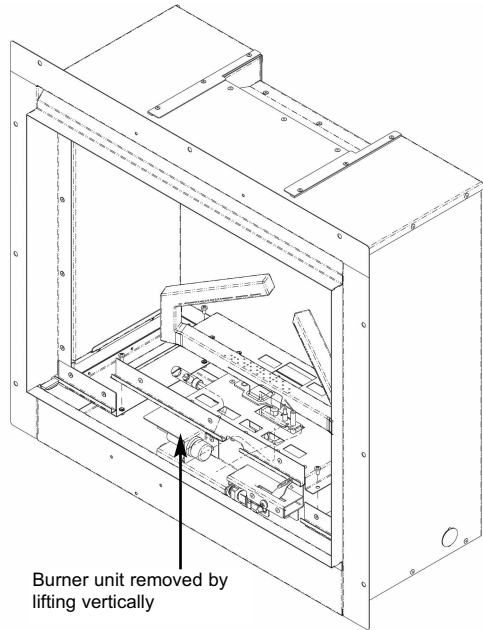
2.2.9 The burner unit is secured by 4 off screws as shown below in figure 10, remove the 4 off screws and lift the burner unit clear as shown overpage in figure 11.

**Fig. 10**



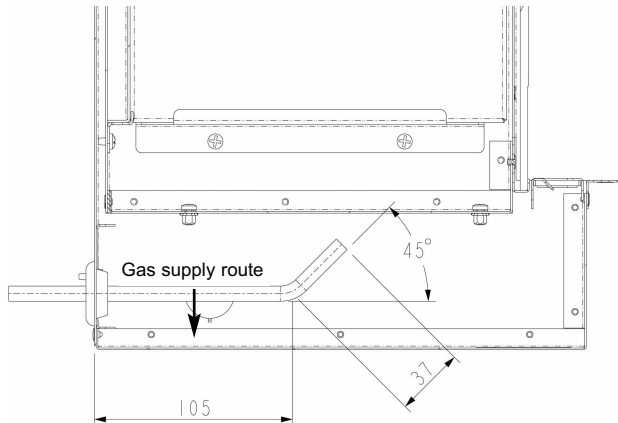
2.2.10 The burner can now be lifted clear as shown below in figure 11.

**Fig. 11**



2.2.11 The gas supply can be routed into the fire from the rear left, see figure 12 below for dimensional information regarding position and route of gas supply pipe.

**Fig. 12**





- 2.2.12 Store the removed burner components in a safe position.
- 2.2.13 The gas connection to the appliance should be made to the isolating / inlet elbow using 8mm rigid tubing. There must be no soldered joints within the firebox. Use the grommet supplied in the loose items pack to seal the knock-out removed from the firebox where the gas pipe enters the firebox.
- 2.2.14 Ensure that the hearth (if fitted) is protected from damage and carefully lift the fire box into the fire opening, then slide it back into position. Check that the fire box flange fits flush to the sealing face of the fire surround or wall with no gaps present.

**Note : Before breaking into the gas supply a pressure drop test should be carried out to establish that the existing pipework is sound.**

- 2.2.15 Carefully withdraw the fire box from the opening to enable the gas supply and fire fixing to be completed.

There is a choice of methods of fixing the firebox which are provided to enable the installer to deal with any type of installation.

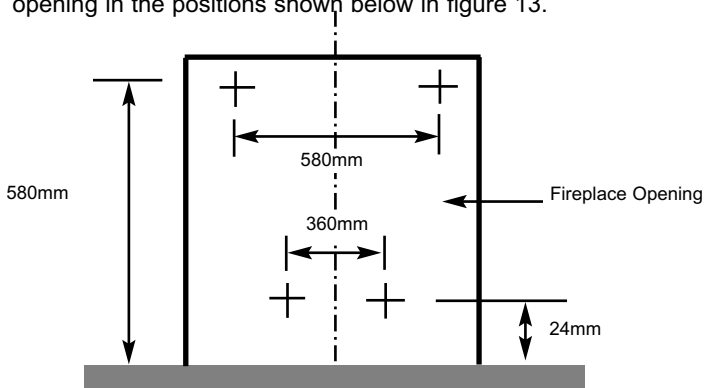
**The preferred method of fixing which is suitable for almost all situations is the cable fixing method which is described in the following section in detail.**

The fire may be secured using the cable method as described below, or alternatively, in installations where the cable method is not suitable (eg. loose masonry in rear of fire opening) the fire box can be directly secured to the fire surround using screw fixings (not provided).

To fit using the **preferred** cable method proceed as follows-

- 2.2.16 Mark out and drill 4 off No 14 (7mm) holes in the back face of the fire opening in the positions shown below in figure 13.

**Fig. 13**



Fit the wallplugs provided and screw the fixing eyes securely into the rear of the fire opening. If the clearance at the rear of the fire is at the minimum specified for a precast flue application, it may be necessary to bend over the lower fixing eyes after screwing them fully in to the rear of a pre-cast starter block.

- 2.2.17 Uncoil the two fire fixing cables and thread one end of each of the cables through one of the two cable holes on each side of the rear brackets on the firebox (see figure 15 on page 19 for details of these holes)
- 2.2.18 Position the fire carefully on the (protected) surface of the hearth and reach into the fire opening. Thread each of the cables vertically downwards through the pair of fixing eyes on the same side of the fire. Thread the free end of the cables through the corresponding circular hole on each side of the lower rear of the fire. Carefully slide the fire box back into the fire opening and pull both cables tight.
- 2.2.19 Thread a tensioning screw over each of the cables and ensure that the tensioning nut is screwed fully up against the hexagon shoulder of the tensioning screw (this provides maximum travel for the tensioning nut).
- 2.2.20 Fit a screwed nipple on to each of the cables and pull hand tight up against the tensioning screw, then secure each nipple with a screwdriver.
- 2.2.21 Evenly tighten the tensioning nuts to tension both cables and pull the fire snugly against the wall. Do not overtighten, it is only necessary to pull the seal up against the sealing face of the wall, it does not need to be compressed. Check that there are no gaps behind the seal.
- 2.2.22 Refit the burner in reverse order to which it was removed.

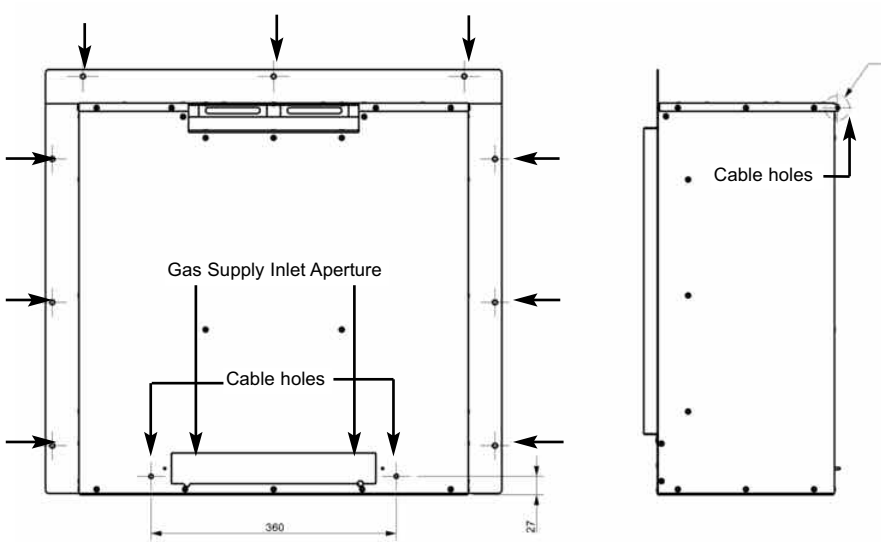
**NOTE : ENSURE THAT THE ON/OFF SWITCH ON THE CONTROL VALVE IS IN THE “ON” POSITION BEFORE RE-FITTING THE BURNER UNIT**

- 2.2.23 **Before making the final gas connection, thoroughly purge the gas supply pipework to remove all foreign matter, otherwise serious damage may be caused to the gas control valve on the fire.**

The other firebox fixing method is as follows :-

2.2.24 In installations where the cable method is not suitable (e.g. loose masonry in rear of fire opening) the firebox can be secured to the opening using four screws and wall plugs (not provided). Below (figure 14) is a diagram to indicate the hole centre positions available on the firebox to facilitate the screw fixing to the fireplace / surround.

**Fig. 14**



## **2.3 GAS TIGHTNESS AND INLET PRESSURE**

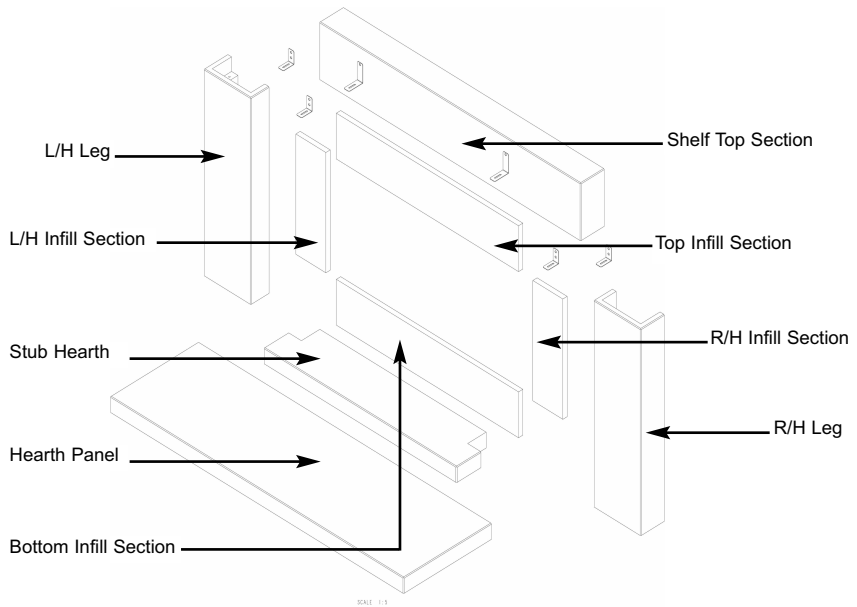
- 2.3.1 Remove the pressure test point screw from the inlet elbow and fit a manometer.
- 2.3.2 Turn on the main gas supply and carry out a gas tightness test.
- 2.3.3 See section 3.3/3.6 for full details of the operating method for the fire. The fire will then commence its ignition sequence and will light to high.
- 2.3.4 Check that the gas pressure is **20.0 mbar (+/- 1.0mbar) 8.0 in w.g.(+/- 0.4 in w.g.)**
- 2.3.5 Turn off the fire, remove the manometer and refit the pressure test point screw. Check the pressure test point screw for gas tightness with the appliance turned on using a suitable leak detection fluid or detector.

**PLEASE NOTE - THE WORKING PRESSURE TEST ON THIS PRODUCT NEEDS TO BE COMPLETED BEFORE THE FUEL-BED IS FITTED.**

## 2.4 INSTALLING THE “PABLO” SURROUND

- 2.4.1 Unpack the surround from the wooden crate, check all parts are present as per figure 15 overpage and carefully store the components.
- 2.4.2 The underside of the hearth should be painted with a weak PVA (8 parts water to 1 part PVA). This will prevent staining penetrating through the stone. The hearth must be centered to the opening. If the fireplace is to be installed on a chimney breast ensure that the opening is also centered to the chimney breast. It is essential that the hearth is completely level. The hearth must be bedded down on bonding or an equivalent material. Avoid cement based products and ensure the hearth is firmly fitted and well supported. Allow the bedding material to set before any weight is placed onto the hearth. Wipe off any surplus bonding material with a wet sponge.
- 2.4.3 Fit bottom section to hearth, ensure it is central before fixing with a suitable mastic adhesive.
- 2.4.4 Fit brackets to top of legs, offer leg up to wall and mark position of fixing hole on wall, use shelf to ensure legs are correctly spaced / positioned. Remove shelf then cover hearth with dust sheet and drill the fixing holes. Remove the brackets from the legs, fix the side infills into place with suitable adhesive and secure the leg fixing brackets only to the wall. Fit legs to brackets that have been securely attached to the wall with fixings as detailed in 2.4.5
- 2.4.5 Assess the chimney breast onto which the fire is to be installed and ensure that it is of sound construction and suitable for supporting the weight of the surround. Fixings used to secure the leg brackets to the masonry of the chimney breast shall be of expansive stainless steel or galvanised steel type masonry fixings for dense concrete blockwork or brickwork. Where fixings are located into light weight blockwork or friable aggregate blocks, the fixings shall be of the resin anchor type.**
- 2.4.6 Fix the top infill and shelf infill into place again with suitable mastic adhesive.
- 2.4.7 Fit shelf into place ensuring it is correctly aligned with legs, mark the position of holes for securing brackets on wall, remove shelf and drill wall and insert fixings in accordance with 2.4.5, these brackets can be recessed if required.
- 2.4.8 Fit the stub hearth in position between the surround legs.
- 2.4.9 Once the fireplace is correctly installed, grout all of the joints including between the fireplace and the wall with a water based cream mastic or tile grout. Ensure all surplus grout is immediately removed by washing the stonework using a sponge and clean water.

**Fig. 15 - "Pablo" Surround**



Contents of Pablo surround :-

- 1 off hearth panel
- 1 off R/H leg
- 1 off L/H leg
- 1 off R/H infill section
- 1 off L/H infill section
- 1 off bottom infill section
- 1 off stub hearth
- 1 off shelf

**NOTE : It is recommended that a spillage test is completed before fixing / sealing the fire surround in place.**

## 2.5 INSTALLING THE “BOTICELLI” SURROUND

2.5.1 Unpack the surround from the wooden crate, check all parts are present as per figure 16 overpage and carefully store the components.

2.5.2 The underside of the hearth should be painted with a weak PVA (8 parts water to 1 part PVA). This will prevent staining penetrating through the stone. The hearth must be centered to the opening. If the fireplace is to be installed on a chimney breast ensure that the opening is also centered to the chimney breast. It is essential that the hearth is completely level. The hearth must be bedded down on bonding or an equivalent material. Avoid cement based products and ensure the hearth is firmly fitted and well supported. Allow the bedding material to set before any weight is placed onto the hearth. Wipe off any surplus bonding material with a wet sponge.

2.5.3 Fit bottom section to hearth, ensure it is central before fixing with a suitable mastic adhesive.

2.5.4 Fit brackets to top of legs, offer leg up to wall and mark position of fixing hole on wall, use shelf to ensure legs are correctly spaced / positioned. Remove shelf then cover hearth with dust sheet and drill the fixing holes. Remove the brackets from the legs, fix the side infills into place with suitable adhesive and secure the leg fixing brackets only to the wall. Fit legs to brackets that have been securely attached to the wall with fixings as detailed in 2.5.5

**2.5.5 Assess the chimney breast onto which the fire is to be installed and ensure that it is of sound construction and suitable for supporting the weight of the surround. Fixings used to secure the leg brackets to the masonry of the chimney breast shall be of expansive stainless steel or galvanised steel type masonry fixings for dense concrete blockwork or brickwork. Where fixings are located into light weight blockwork or friable aggregate blocks, the fixings shall be of the resin anchor type.**

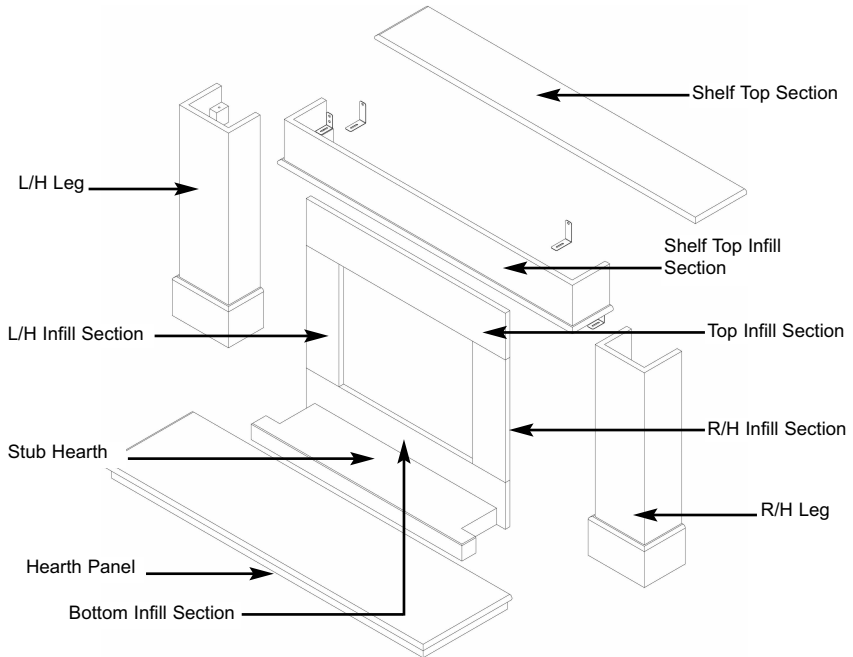
2.5.6 Fix the shelf top infill section and shelf infill into place again utilising the same procedure as for the legs, i.e. mark positions, drill holes to suit, remove brackets and secure brackets to wall with suitable fixings as detailed in 2.5.5

2.5.7 Fit shelf top section into place ensuring it is correctly centered, mark the position of holes for securing brackets on wall, remove shelf and drill wall and insert fixings in accordance with 2.5.5, these brackets can be recessed if required.

2.5.8 Fit the stub hearth in position between the surround legs.

2.5.9 Once the fireplace is correctly installed, grout all of the joints including between the fireplace and the wall with a water based cream mastic or tile grout. Ensure all surplus grout is immediately removed by washing the stonework using a sponge and clean water.

**Fig. 16 - Boticelli Surround**



Contents of Boticelli surround :-

- 1 off hearth panel
- 1 off R/H leg
- 1 off L/H leg
- 1 off R/H infill section
- 1 off L/H infill section
- 1 off bottom infill section
- 1 off shelf top infill section
- 1 off shelf top section
- 1 off stub hearth
- 1 off top infill section

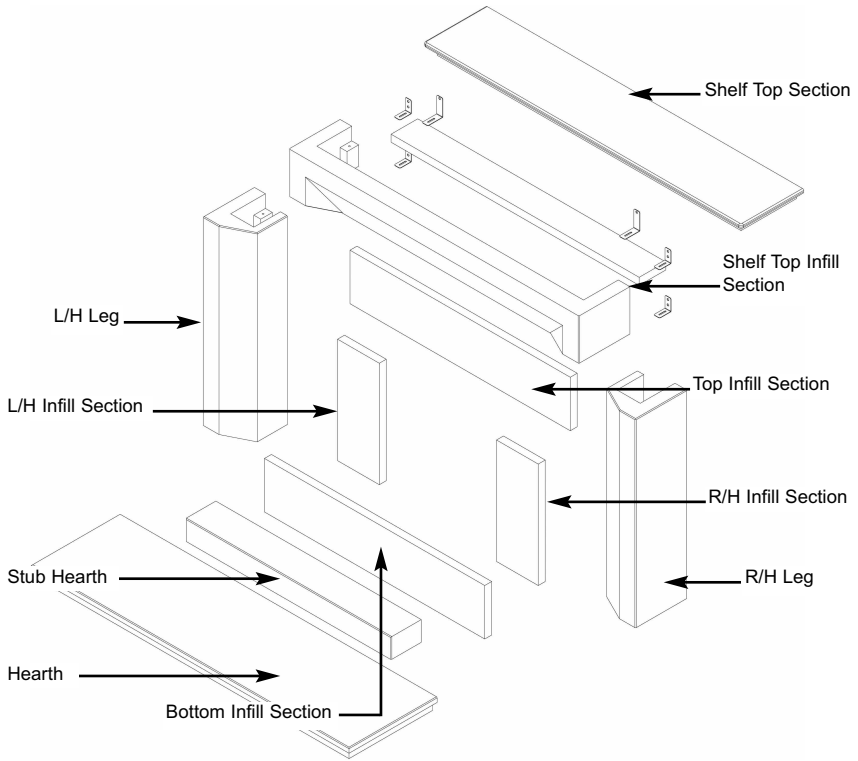
**NOTE : It is recommended that a spillage test is completed before fixing / sealing the fire surround in place.**



## 2.6 INSTALLING THE “ANGELO” SURROUND

- 2.6.1 Unpack the surround from the wooden crate, check all parts are present as per figure 17 overpage and carefully store the components.
- 2.6.2 The underside of the hearth should be painted with a weak PVA (8 parts water to 1 part PVA). This will prevent staining penetrating through the stone. The hearth must be centered to the opening. If the fireplace is to be installed on a chimney breast ensure that the opening is also centered to the chimney breast. It is essential that the hearth is completely level. The hearth must be bedded down on bonding or an equivalent material. Avoid cement based products and ensure the hearth is firmly fitted and well supported. Allow the bedding material to set before any weight is placed onto the hearth. Wipe off any surplus bonding material with a wet sponge.
- 2.6.3 Fit bottom section to hearth, ensure it is central before fixing with a suitable mastic adhesive.
- 2.6.4 Fit brackets to top of legs, offer leg up to wall and mark position of fixing hole on wall, use shelf to ensure legs are correctly spaced / positioned. Remove shelf then cover hearth with dust sheet and drill the fixing holes. Remove the brackets from the legs, fix the side infills into place with suitable adhesive and secure the leg fixing brackets only to the wall. Fit legs to brackets that have been securely attached to the wall with fixings as detailed in 2.6.5
- 2.6.5 Assess the chimney breast onto which the fire is to be installed and ensure that it is of sound construction and suitable for supporting the weight of the surround. Fixings used to secure the leg brackets to the masonry of the chimney breast shall be of expansive stainless steel or galvanised steel type masonry fixings for dense concrete blockwork or brickwork. Where fixings are located into light weight blockwork or friable aggregate blocks, the fixings shall be of the resin anchor type.**
- 2.6.6 Fix the shelf top infill section and shelf infill into place again utilising the same procedure as for the legs, i.e. mark positions, drill holes to suit, remove brackets and secure brackets to wall with suitable fixings as detailed in 2.6.5
- 2.6.7 Fit shelf top section into place ensuring it is correctly centered, mark the position of holes for securing brackets on wall, remove shelf and drill wall and insert fixings in accordance with 2.6.5, these brackets can be recessed if required.
- 2.6.9 Fit the stub hearth in position between the surround legs.
- 2.6.8 Once the fireplace is correctly installed, grout all of the joints including between the fireplace and the wall with a water based cream mastic or tile grout. Ensure all surplus grout is immediately removed by washing the stonework using a sponge and clean water.

**Fig. 17 - "Angelo" Surround**



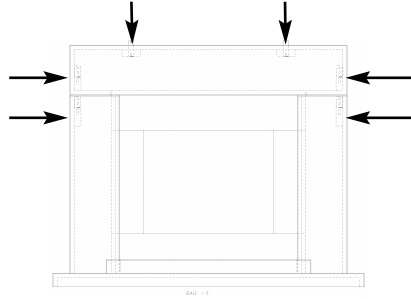
Contents of Angelo surround :-

- 1 off hearth panel
- 1 off R/H leg
- 1 off L/H leg
- 1 off R/H infill section
- 1 off L/H infill section
- 1 off bottom infill section
- 1 off shelf top infill section
- 1 off shelf top section
- 1 off stub hearth
- 1 off top infill section

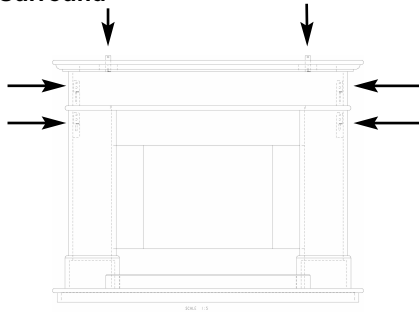
## 2.10 CHECKING MECHANICAL FIXING OF SURROUND COMPONENTS

- 2.10.1 Ensure that the surround components as shown below are mechanically secured as indicated, this is required in accordance with the latest revision of *BS 1251 : 2015 Open Fireplace Components*.

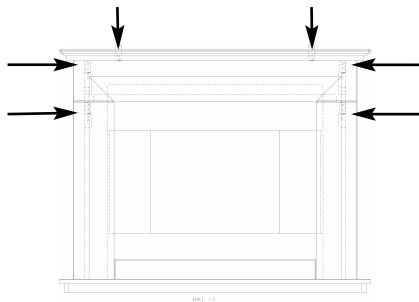
**Fig. 18 - "Pablo" Surround**



**Fig. 19 - "Boticelli" Surround**



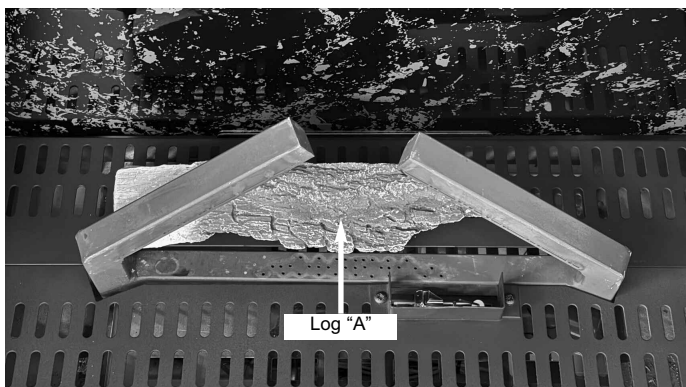
**Fig. 20 - "Angelo" Surround**



### 3.1 FITTING THE FUEL-BED LOGSET

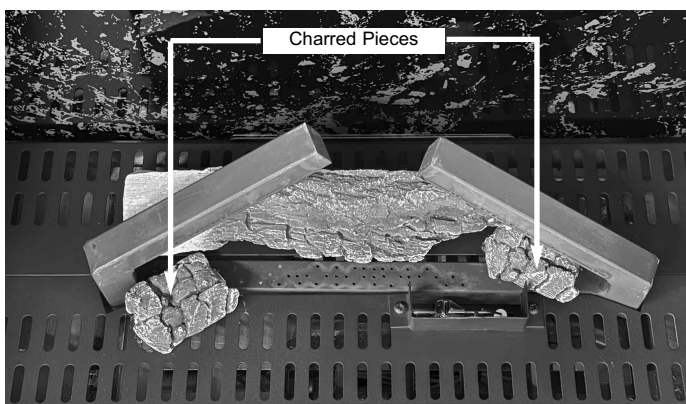
3.1.1 Position Log "A" behind the burner as shown below in figure 21

Fig. 21



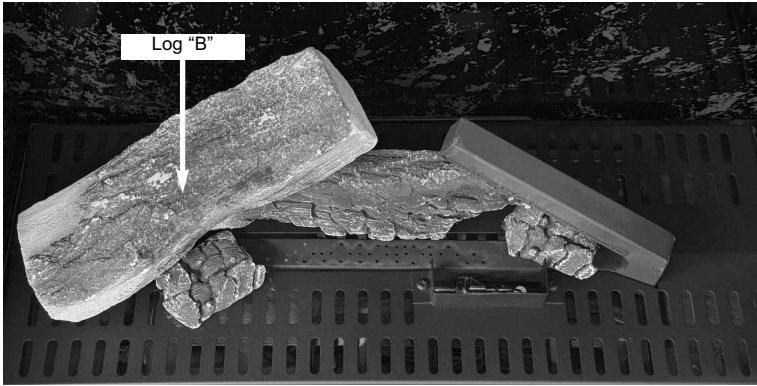
3.1.2 Position 2 off charred log pieces as shown below in figure 22.

Fig. 22



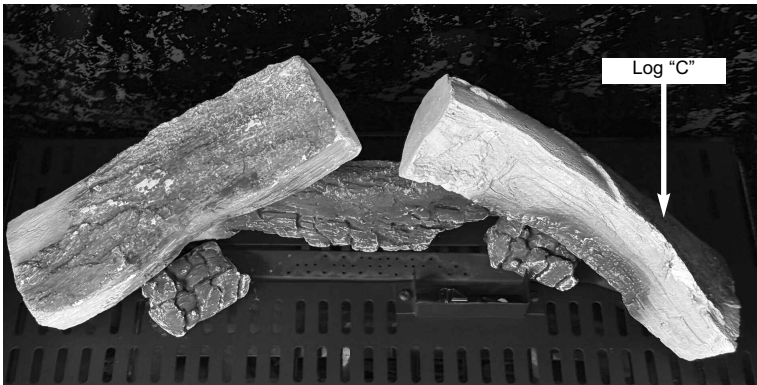
3.1.3 Position Log "B" onto the left hand burner as shown below in figure 23, using the slot in the bottom of the log as a guide for placement.

**Fig. 23**



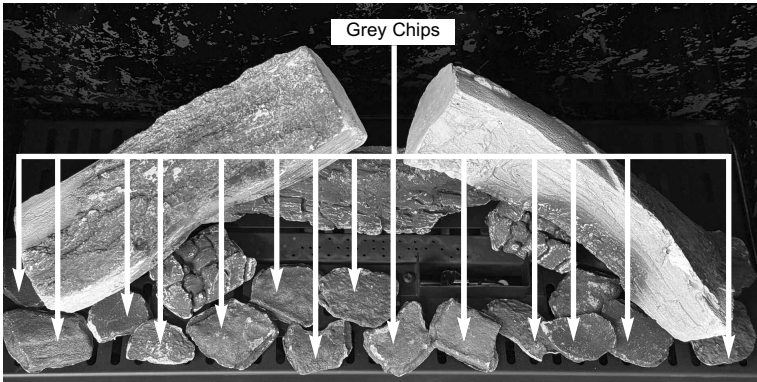
3.1.4 Position Log "C" onto the right hand burner as shown below in figure 24, using the slot in the bottom of the log as a guide for placement.

**Fig. 24**



3.1.5 Position the grey chippings across the front fuel-bed support as shown below in figure 25

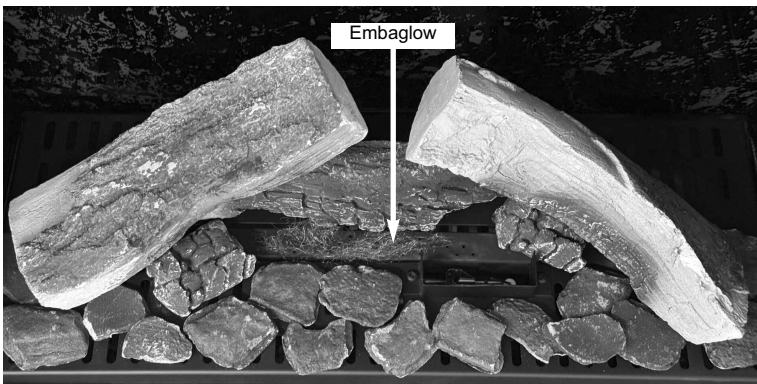
Fig. 25



3.1.6 Position the Embaglow onto the burner base as shown below in figure 26.

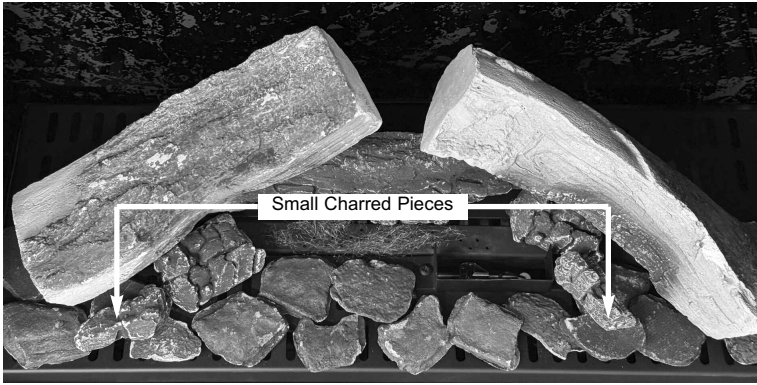
Fig. 26

**DO NOT POSITION ANY EMBAGLOW MATERIAL IN CLOSE PROXIMITY TO THE PILOT ASSEMBLY**



3.1.7 Position the two off small charred pieces as shown below in figure 27.

**Fig. 27**



3.1.8 Position Log "D" at the left hand side of the fuel-bed, locating onto cut-on Log "B" to support it as shown below in figure 28.

**Fig. 28**



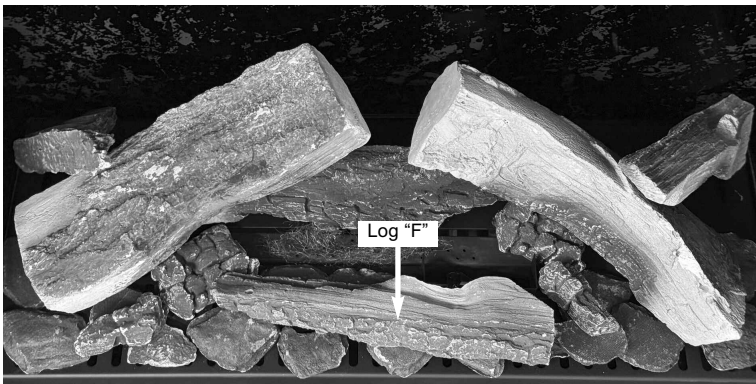
- 3.1.9 Position Log "E" at the right hand side of the fuel-bed, locating on cut out on Log "C" to support it as shown below in figure 29.

Fig. 29



- 3.1.10 Position Log "F" at the front of the fuel-bed, as shown below in figure 29.

Fig. 30



- 3.1.11 Re-fit the glass panel in reverse order to that shown in section 2.2.2.

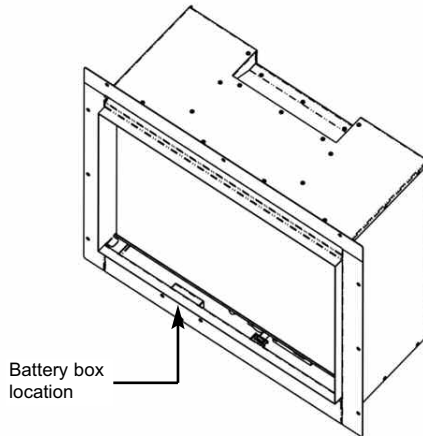
**Warning :** Use only the logs supplied with the fire. When replacing the logs remove the old logs and discard them. Fit a complete set of logs of the correct type. Do not fit additional logs or any logs other than a genuine replacement set.



## 3.2 FITTING THE BATTERIES - REMOTE CONTROL MODELS ONLY

3.2.1 The battery pack is located under the front grill as shown below in figure 31.

**Fig. 31**



3.2.2 Lift battery pack from its retaining bracket, remove rear cover (held in position by screw) and then fit 3 off AA batteries. Replace cover and then re-position battery pack within retaining bracket.

3.2.3 Fit 2 off AA sized batteries to handset - removing rear cover, fit batteries and replace rear cover. Now proceed to section 3.3.1 and set the time, date and temperature on the remote control handset.

### 3.3 OPERATION OF THE FIRE - REMOTE CONTROL MODELS

**IMPORTANT : IF THE BURNER IS EXTINGUISHED FOR ANY REASON YOU MUST ENSURE THAT YOU WAIT A FULL FIVE MINUTES BEFORE ATTEMPTING TO RE-LIGHT THE FIRE.**

The product is controlled by the remote handset supplied with the fire.

#### 3.3.1 SETTING THE TIME, DATE & TEMPERATURE ON THE REMOTE HANDSET

- 3.3.1.1 Fit the 2 off AA batteries to the handset by removing the cover on the rear of the handset and inserting the batteries, ensure the correct +/- polarity is observed. Following insertion of the batteries the screen displayed will be as shown below in figure 32.

**Fig. 32**



- 3.3.1.2 Hold the handset with one hand ensuring your hand is wrapped around the back and that your hand is in contact with both sides of the handset. The green light of the “unlock” symbol should light and the screen displayed will be as shown overpage in figure 33.
- 3.3.1.3 The “H” symbol as indicated in figure 31 overpage indicates that the timer can now be set in either 24hr or 12hr mode. Press the + or - buttons on the handset to toggle between the two settings, figure 33 overpage displays the 24hr mode.

**Fig. 33**



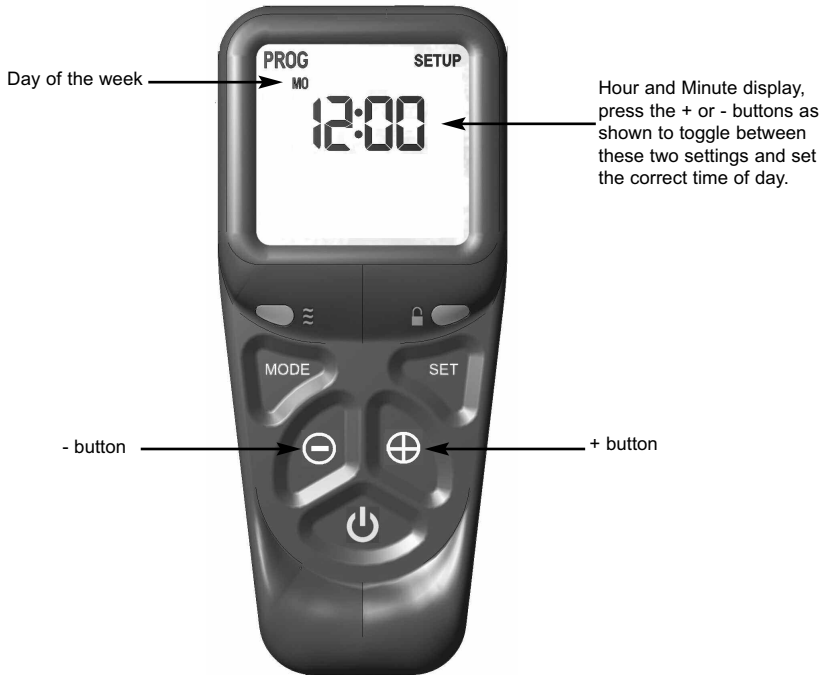
3.3.1.4 When the 24hr or 12hr time display option has been chosen and you are ready to confirm the setting you want press the SET button on the handset to progress to setting the day of the week as shown overpage in figure 34.

3.3.1.5 Press and release the + and - buttons on the handset until the correct day of the week is shown on the handset display

Mo = Monday  
Tu = Tuesday  
We = Wednesday  
Th = Thursday  
Fr = Friday  
Sa = Saturday  
Su = Sunday

3.3.1.6 Press SET to accept the day of the week and progress to setting the hour of the day.

**Fig. 34**



3.3.1.7 As shown above in figure 34 the time on the handset can now be set by using the + and - buttons to change the hour to the correct hour then press SET to store and to move to setting the minute. Repeat this process for setting the minute to the correct minute then press SET to store.

3.3.1.8 The handset will then display the temperature setting screen as shown overpage in figure 35, the option to choose either Celsius or Fahrenheit can be chosen, these settings are shown as either C or F. Use the + and - buttons to toggle between these two options then press SET to store. The important settings have now been completed so press and hold the SET button for a few seconds and this will exit the set-up menu.

**Fig. 35**



3.3.1.9 The control is now ready for use with the burner.

3.3.1.10 If the handset is misplaced you can “page it” by pressing the (+) button only on the control valve on the fire for a period of 5 seconds. The handset will flash and make an audible noise to help you locate it. Once you find the handset with one hand ensure your hand is wrapped around the back and that your hand is in contact with both sides of the handset then the audible noise will cease. The flashing and sound will last for 60 seconds each time the handset is paged as described. If not found in 60 seconds page the handset again until located.

### 3.4 LIGHTING THE FIRE - REMOTE CONTROL MODELS

3.4.1 Ensure valve power isolation switch is in the “on” position on the valve and that the time, date & temperature display settings as shown in section 3.3 have been completed. Hold the handset with one hand ensuring your hand is wrapped around the back and that your hand is in contact with both sides of the handset. The green light of the “unlock” symbol should light. See figure 36 below.

Fig. 36



3.4.2 Press and hold the power button continuously until the word “PILOT” appears at the bottom left of the display as shown overpage in figure 37, (this typically takes two seconds). The burner will now light at maximum heat input level and will display “MAX” in the bottom left hand side of the display as shown in figure 38 overpage.

NOTE : If the power button is pressed for too long or too short a time or the grip on the handset is not firm or is released too soon, the lighting sequence will be interrupted and not complete. The reason for the remote control having this strict start sequence is for safety reasons so that the starting operation of the fire will be most unlikely to be done other than intentionally by an adult.

**Fig. 37 - "PILOT" displayed**



"PILOT" displayed on handset during ignition sequence (typically takes two seconds)

**Fig. 38 - "MAX" & large flame symbol displayed**

"MAX FLAME" displayed on handset when burner is lit to maximum rate



### 3.4 LIGHTING THE APPLIANCE - REMOTE CONTROL MODELS (CONTINUED)

3.4.3 To decrease the heat input level of the burner hold the handset as described in section 3.4.1 to unlock the keypad then press and release the - button. Pressing and releasing the - button will lower the heat input level one step at a time. Pressing the - button continuously will move the heat input level to the minimum, see figure 39 below.

Fig. 39



3.4.4 To increase the heat input level of the fire's burner hold the handset as described in section 3.4.1 to unlock the keypad then press and release the + button. Pressing and releasing the + button will increase the heat input level one step at a time. Pressing the + button continuously will move the heat input level to the maximum.

3.4.5 To turn the fire off hold the handset as described in section 3.4.1 to unlock the keypad then press and release the power button. The burner will go out.



### 3.4.6

**If you are not intending to use the fire for a long period (i.e. over the summer months) the battery life can be extended by disconnecting the battery pack from the valve, see section 2.2.1**

### 3.4.7

**In the event of loss of the remote handset, as a backup the fire can be turned off by pressing the on/off switch located below the grill at the base of the fire.**

### 3.4.8

If the handset is misplaced you can “page it” by pressing the (+) button only on the control valve on the fire for a period of 5 seconds. The handset will flash and make an audible noise to help you locate it. Once you find the handset with one hand ensure your hand is wrapped around the back and that your hand is in contact with both sides of the handset then the audible noise will cease. The flashing and sound will last for 60 seconds each time the handset is paged as described. If not found in 60 seconds page the handset again until located.

## 3.5

### **ADVANCED SETTINGS MENU OF THE REMOTE CONTROL**

### 3.5.1

#### **Snooze mode in manual operation**

#### 3.5.1.1

Snooze mode is a time period which can be set which will turn the fire automatically off after a certain time period has elapsed.

#### 3.5.1.2

Hold the handset with one hand ensuring your hand is wrapped around the back and that your hand is in contact with both sides of the handset. The green light of the “unlock” symbol should light. The snooze time period can be set either before or during manual operation of the fire.

#### 3.5.1.3

With the handset held as described above, press the mode button to scroll through the functions until the symbols MAN and Zzz are flashing at the top of the display as shown overpage in figure 40.

#### 3.5.1.4

Press and release the set button and this will put the control into the manual snooze mode.

#### 3.5.1.5

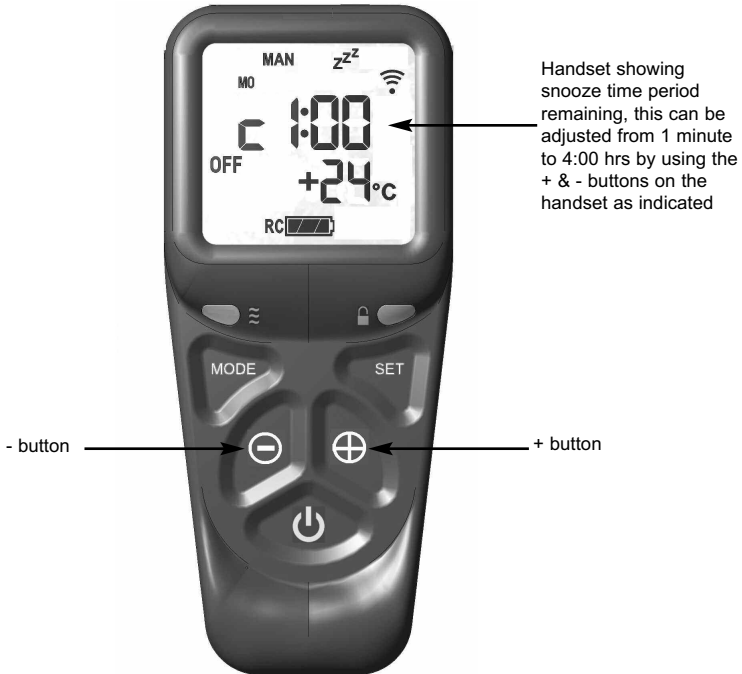
The default time period in snooze mode is 1:00 hour.

**Fig. 40**



- 3.5.1.6 Pressing the set button again will now show you the snooze time period remaining. The snooze time period can be adjusted by pressing the + or - buttons on the handset. This time period can be set ranging from 1 minute to 4:00 hours.
- 3.5.1.7 To adjust the snooze period, hold the handset with one hand ensuring your hand is wrapped around the back and that your hand is in contact with both sides of the handset. The green light of the “unlock” symbol should light. Press the set button and the screen will show how long is left of the snooze period as shown overpage in figure 41.

**Fig. 41**



- 3.5.1.8 To adjust the snooze period use the + and - buttons to increase or decrease the snooze period for any period between 1 minute and 4:00 hours.
- 3.5.1.9 When the correct snooze period is indicated on the handset, press the set button to store the required time period, or alternatively the handset can be left for a few seconds and the period will be stored automatically.
- 3.5.1.10 When the countdown timer for the snooze period has reached zero the fire will turn off (as if you had turned the fire off manually).

### 3.5.2 Thermostatic mode

**PLEASE NOTE : Thermostatic mode of this fire will only allow regulation of the room temperature by the fire when it has been already lit via manual operation of the handset. It will not allow the fire to light automatically due to low ambient room temperature and should therefore not be relied upon for frost protection purposes.**

3.5.2.1 Hold the handset with one hand ensuring your hand is wrapped around the back and that your hand is in contact with both sides of the handset. The green light of the “unlock” symbol should light.

3.5.2.2 With the handset held as described above, press and release the mode button several times as necessary until the display has the thermometer symbol flashing at the top of the display. Press the set button to enter this mode, as shown below in figure 42.

Fig. 42



3.5.2.3 Press the set button again to see the temperature setting that is set (the default is 24 degrees celsius). If a different set temperature is required, whilst the display is showing this set temperature, press the + and - buttons to alter this setting, press the set button to store the required temperature, or alternatively the handset can be left for a few seconds and the temperature will be stored automatically.

3.5.2.4 If at any time the power button is operated during thermostat mode the control will cancel any thermostat operation and return the control to manual mode.

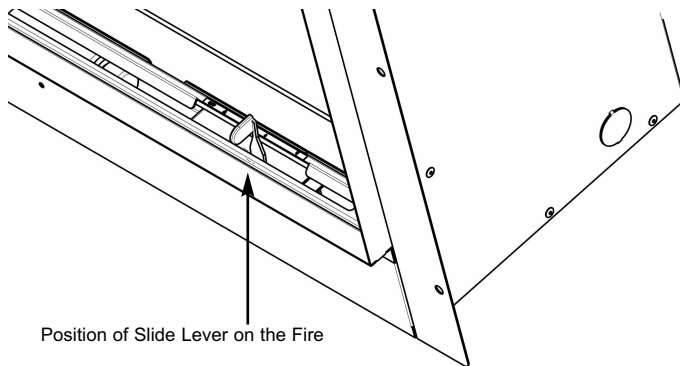
3.5.2.5 **IMPORTANT NOTE : Thermostat mode will not light the fire automatically and will only regulate between the maximum and minimum burner setting. The fire must be lit manually via the handset and then you enter thermostat mode as described in this section and set the temperature. When no longer requiring thermostat mode turn off the burner and the handset will return to manual mode.**

### 3.6 OPERATION OF THE FIRE - SLIDE CONTROL MODELS

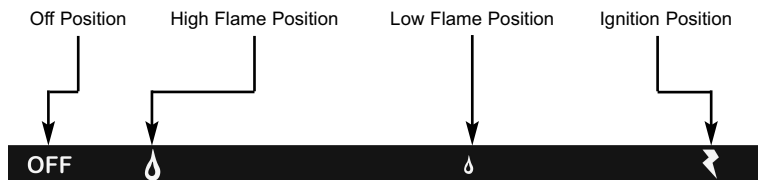
**IMPORTANT : IF THE BURNER IS EXTINGUISHED FOR ANY REASON YOU MUST ENSURE THAT YOU WAIT A FULL FIVE MINUTES BEFORE ATTEMPTING TO RE-LIGHT THE FIRE.**

- 3.6.1 Turn on the isolation valve. The slide control lever is located at the bottom right hand side of the fire. Depress the control lever fully to the right to the ignition position as shown below in figure 44 . Hold down the control lever at the ignition position as displayed in figure 44 for a few seconds to allow the gas to reach the pilot.

**Fig. 43**



**Fig. 44**



- 3.6.2 The fire will then begin its ignition sequence. If the pilot does not light, continue to press the control lever until ignition occurs. The pilot flame can be seen by looking to the right hand centre of the burner unit . When the pilot has lit, continue to hold the control lever down for 10 seconds to allow the thermocouple to heat up, before releasing the lever apply one firm push to the right to ensure that the f.s.d. valve is fully latched, if the pilot goes out when the control lever is released, repeat the lighting sequence.

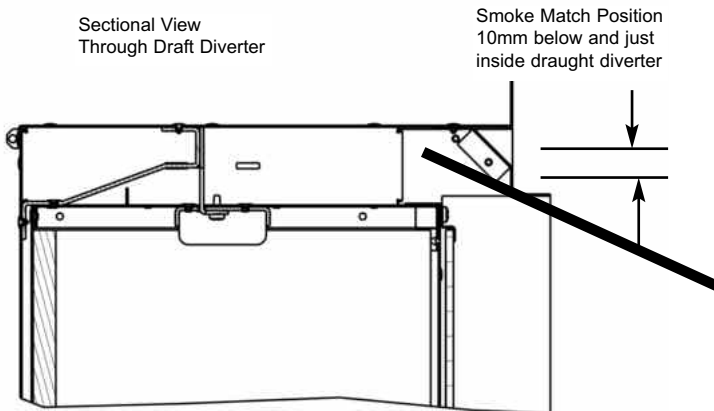
- 3.6.3 After lighting, move control lever left to the high flame position as shown on the previous page in figure 44 and the burner will fully light. It is recommended that for the most efficient performance the fire is allowed to warm up for a few minutes with the the control lever set to high.
- 3.6.4 The gas control can be moved from the High to Low position to give the desired heat output.
- 3.6.5 To turn the fire off, FULLY move the control lever fully left to the OFF position.

**WARNING : If the fire goes out for any reason or is turned off and it is necessary to re-light the fire it is important to allow the fire to cool for 5 minutes before attempting to re-light it.**

### 3.7 CHECKING FOR CLEARANCE OF COMBUSTION PRODUCTS

- 3.7.1 Close all doors and windows in the room.
- 3.7.2 Light the fire and allow to run for approximately 5 minutes on high position.
- 3.7.3 After approximately 5 minutes hold a smoke match just inside and below the centre of the lower front edge of the top of the fire, as shown below in figure 45. (It is recommended that a suitable smoke match holder is used when checking for clearance of combustion products). All smoke generated should be drawn back into the flue. If slight spillage occurs or if in doubt, repeat the test after a further 5-10 minutes. **If the test indicates that spillage is occurring and the flue restrictor baffle has been fitted, it should be removed as shown in section 3.8 and the test repeated after the fire has cooled.**
- 3.7.4 If spillage persists, the flue is not functioning correctly and a fault exists. If, after investigation the fault cannot be traced and rectified, the fire must be disconnected from the gas supply and expert advice obtained.
- 3.7.5 If there is an extractor fan fitted anywhere in the vicinity of the appliance, or in adjacent rooms the spillage test should be repeated with the fan running on maximum and all interconnecting doors open.
- 3.7.6 After ensuring that the fire is safe to use it should be left on high position to fully warm up. During this time a slight odour may be noticed, this is due to the “newness” of the fire and will soon disappear.

Fig. 45

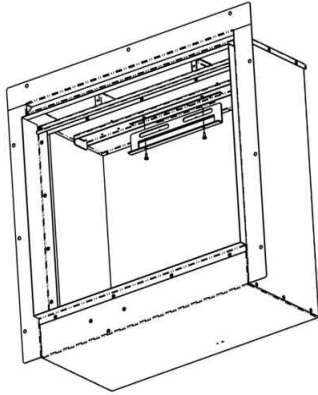




### 3.8 REMOVING / RE-FITTING THE FLUE RESTRICTOR BAFFLE

- 3.8.1 The restrictor baffle is secured with 2 off screws to the internal roof of the combustion chamber.
- 3.8.2 Remove the glass panel as detailed in section 2.2 and unscrew or re-fit the baffle from the internal roof of the combustion chamber as shown below in figure 46.

Fig. 46



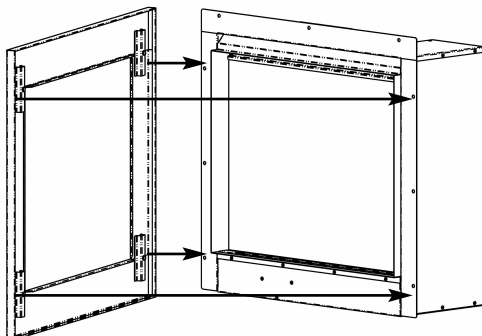
- 3.8.3 Re-check the spillage test as required.

### 3.9 FITTING THE OPTIONAL TRIM

- 3.9.1 The trim assembly fits to the firebox flange as shown below in figure 47.

Fig. 47

Trim assembly fitted to fire, magnets are fitted to brackets as indicated



### 3.10 REQUIREMENTS TO INSTALL A CARBON MONOXIDE ALARM

In England, Approved Document J provides statutory guidance on meeting the requirements of the Building Regulations 2010 (as amended), specifically in matters concerning combustion appliances and fuel storage systems.

From 1st October 2022, where a new or replacement fixed gas burning appliance (excluding gas appliances used solely for cooking) is installed in a dwelling, a Carbon Monoxide (CO) alarm should be provided in the room where the appliance is located.

Carbon Monoxide (CO) alarms should comply with BS EN 50291-1:2018 and be powered by a battery designed to operate for the working life of the alarm. The alarm should incorporate a warning device to alert users when the working life of the alarm is due to pass.

Mains-powered BS EN 50291-1:2018 Type A Carbon Monoxide (CO) alarms with fixed wiring (not plug-in types) may be used as an alternative, provided they are fitted with a sensor failure warning device.

Important Note 1: Type A carbon monoxide alarms are fitted with an output function for triggering ancillary devices such as remote alarms or specialist alarms for older or disabled persons.

The Carbon Monoxide (CO) alarm should be located in the same room as the gas fire:

- 1.) On the ceiling at least 300mm from any wall or, if it is located on a wall, as high up as possible (above any doors and windows) but not within 150mm of the ceiling;

and

- 2.) Between 1 metre and 3 metres horizontally from the appliance.

Important Note 2: Further guidance and recommendations on the installation of Carbon Monoxide (CO) alarms is available in BS EN 50292:2013 and from the manufacturers instructions.

Provision of a Carbon Monoxide (CO) alarm should not be regarded as a substitute for the correct installation and regular servicing of combustion appliances.

## SECTION 4 MAINTENANCE

### Servicing Notes

Servicing should be carried out annually by a competent person such as a GAS SAFE registered engineer. **This is a condition of the guarantee schemes.** The service should include visually checking the chimney and fire opening for accumulations of debris and a smoke test to check for a positive up-draught in the chimney. To access the debris collection void a removeable plate is positioned on the rear face of the firebox box behind the burner. Although not mandatory we strongly recommend the oxy-pilot assembly is replaced every 12 months.

The condition of the fuel-bed should be checked and **if necessary the whole item should be replaced with a genuine replacement item.** The burner assembly is designed to be removed as a complete unit for ease of access. **After any servicing work a gas tightness check must always be carried out.**

**For Diagrams refer to Section 2**

#### **4.1 Removing the burner assembly from the fire (all models).**

4.1.1 Prepare work area (lay down dust sheets etc.)

4.1.2 Remove the glass assembly, remove the ceramic logs and chippings..

4.1.3 Remove the front and rear fuel-bed support grills. Remove the gas supply cover plate which is held in position by 4 screws. Isolate the gas supply and remove the supply pipe from the appliance inlet elbow. Remove the four off screws which hold the burner unit in position & then then remove burner assembly from the fire.

4.1.4 Refit the burner in reverse order, refit the fuel-bed referring to section 3 for the correct log positions. Re-fit the glass panel.

#### **4.2 Removing the Gas Control Valve - Remote Control Models**

4.2.1 Remove the burner assembly as detailed in section 4.1,

4.2.2 Remove the thermocouple wires from the valve, remove the main pipe, inlet pipe, pilot pipe from the valve. Take note of position of coloured terminals on thermocouple wires as valve will not function correctly if these are replaced the opposite way round.

4.2.3 Unclip the valve from its mounting bracket. Re-assemble in reverse order and carry out a gas tightness test.

### **4.3 Removing the Gas Control Valve - Slide Control Models**

- 4.3.1 Remove the burner assembly as detailed in section 4.1,
- 4.3.2 Unscrew the thermocouple nut from the slide valve, remove the main pipe, inlet pipe, pilot pipe from the slide valve. Disconnect the ignition microswitch wires.
- 4.3.3 Remove the 3 off screws that hold the slide valve to its mounting bracket. Re-assemble in reverse order and carry out a gas tightness test.

### **4.4 Removing the Oxy-Pilot - Remote Control Models**

**Note : Because this appliance is fitted with an atmosphere sensing ‘Oxy-Pilot’ it is not possible to replace the thermocouple separately, because the thermocouple position is factory set to a tight tolerance. Any replacement of parts on the pilot requires a complete new pilot assembly.**

- 4.4.1 Prepare work area (lay down dust sheets etc.)
- 4.4.2 Remove burner assembly as per section 4.1
- 4.4.3 Remove the thermocouple wires from the valve, take note of position of coloured terminals on thermocouple wires as valve will not function correctly if these are replaced the opposite way round.
- 4.4.4 Remove the pilot supply pipe from the oxy-pilot then remove the two screws which hold the oxy-pilot to its mounting bracket.
- 4.4.5 Re-assemble in reverse order and carry out a gas tightness test.

### **4.5 Removing the Oxy-Pilot - Slide Control Models**

**Note : Because this appliance is fitted with an atmosphere sensing ‘Oxy-Pilot’ it is not possible to replace the thermocouple separately, because the thermocouple position is factory set to a tight tolerance. Any replacement of parts on the pilot requires a complete new pilot assembly.**

- 4.5.1 Prepare work area (lay down dust sheets etc.)
- 4.5.2 Remove the burner assembly as in section 4.1
- 4.5.3 Unscrew and remove the thermocouple retaining nut from the end of the control tap, disconnect the ignition lead from the pilot electrode and the two inline leads from the microswitch.

#### **4.5 Removing the Oxy-Pilot - Slide Control Models (Continued)**

4.5.3 Unscrew and remove the two pozi-drive screws which secure the pilot assembly to the burner. Remove the pilot.

4.5.4 Re-assemble in reverse order and carry out a gas tightness test.

#### **4.6 Removing the Battery Ignitor - Slide Control Models**

4.6.1 Remove the burner assembly as described in section 4.1

4.6.2 Disconnect the ignition lead and 2 off microswitch leads from the igniter. Unscrew the Battery retaining cap and place battery to one side. Then unscrew igniter retaining ring and remove igniter from panel.

4.6.3 Re-assemble in reverse order and carry out a gas tightness test.

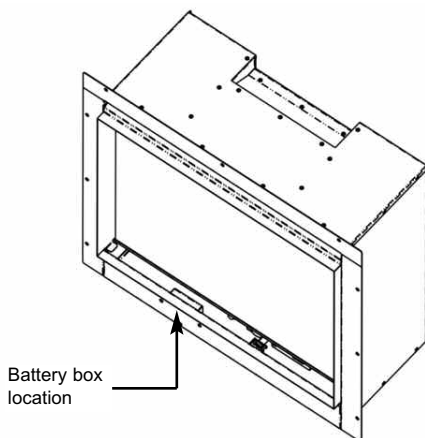
#### **4.7 Replacing the Batteries in the Handset - Remote Control Models**

4.7.1 Remove and re-fit the new 2 off AA batteries by removing the cover on the back of the handset.

#### **4.8 Replacing the Batteries in the Fire - Remote Control Models**

4.8.1 The battery pack is located as shown below in figure 48.

**Fig. 48**



4.8.2 Lift battery pack from its retaining bracket, remove rear cover (held in position by screw) and then fit 3 off AA batteries. Replace cover and then re-position battery pack within retaining bracket.

## **4.9 Replacing the Battery - Slide Control Models**

4.9.1 Unscrew Battery retaining cap situated at the front right of the fire and remove the battery

4.9.2 Replace in the reverse order using a 1.5V AA Alkaline Battery.

## **4.10 Checking for Flue Debris.**

4.10.1 Remove the burner assembly as detailed in section 4.1

4.10.2 Locate the removeable backplate on the rear face of the firebox at the bottom.

4.10.3 Remove the 2 screws that hold the removeable backplate on the rear face of the firebox.

4.10.4 Remove any debris.

4.10.5 Replace the removeable backplate on the rear face of the firebox.

4.10.6 Re-assemble in reverse order and carry out a gas tightness test.

#### 4.11

#### Spare Parts List - All Models

B-1039950	Glass Panel (All Models)
B-19660	ODS Pilot assembly (Slide Control Model)
B-43040	Battery Generator (Slide Control Model)
B-34690	Ignition Wire (Slide Control Model)
B-1044105	Complete Log Set (All Models)
B-1044105A	Log A (All Models)
B-1044105B	Log B (All Models)
B-1044105C	Log C (All Models)
B-1044105D	Log D (All Models)
B-1008055E	Log E (All Models)
B-1044105F	Log F (All Models)
B-1044512	Bag of Grey Chips (All Models)
B-120070	Embaglow (All Models)
B-1000661	Small Log Fragments (Charred) - All Models
B-1000662	Large Log Fragments (Charred) - All Models
B-160780	Remote gas control valve
B-168970	Remote handset
B-181610	On/Off override switch (Remote Control Models)
B-168920	Battery pack (Remote Control Models)
B-180090	ERTA PG-82-330/2 ODS pilot assembly (Remote Control Models)

## SECTION FIVE - USER INSTRUCTIONS

### 5.1 INSTALLATION INFORMATION

#### CONDITIONS OF INSTALLATION

It is the law that all gas appliances are installed only by a competent (e.g. Registered) Installer, in accordance with the installation instructions and the Gas Safety (Installation and Use) Regulations 1998. Failure to install appliances correctly could lead to prosecution. It is in your own interest and that of safety to comply with the law.

The fire may be fitted below a combustible shelf provided that the shelf is at least 200mm above the top of the appliance and the depth of the shelf does not exceed 150mm.

The fire may be installed below combustible shelves which exceed 150mm deep providing that the clearance above the fire is increased by 15mm for each 25mm of additional overhang in excess of 150mm.

**No purpose made additional ventilation is normally required for this appliance when installed in G.B. When installed I.E. please consult document I.S. 813 : 1996 Domestic Gas Installation which is issued by the National Standards Authority of Ireland. Any purpose made ventilation should be checked periodically to ensure that it is free from obstruction.**

If the chimney or flue has been previously used by appliances burning fuels other than gas they must be swept prior to the installation of this fire.

If this appliance is fitted directly on to a wall without the use of a fireplace or surround, soft wall coverings such as wallpaper, blown vinyl etc. could be affected by the heat and hot convection air and may discolour or scorch. This should be considered when installing or decorating.

The Model number of this appliance is as stated on the rating plate affixed to the control panel of the fire and the appliance is manufactured by:-

BFM Europe Ltd  
Trentham Lakes  
Stoke on Trent  
ST4 4TJ



## 5.2 ABOUT YOUR NEW CELENA MK3 GAS FIRE

The Collection by Michael Miller “Celena MK3” log effect gas fire incorporates a unique and highly developed fuel bed which gives the realism of a loose log layout combined with realistic flames and glow. The use of durable ceramic material in the construction of the fuelbed components ensures long and trouble free operation.

Please take the time to fully read these instructions as you will then be able to obtain the most effective and safe operation of your fire.

### IMPORTANT SAFETY INFORMATION

#### WARNING

**This appliance is a heating appliance and as with all heating appliances a fireguard should be used for the protection of children, the elderly and infirm. Fireguards should conform to B.S. 8423 : 2002 (Fireguards for use with gas heating appliances).**

It is important that this appliance is serviced at least once a year by a GAS SAFE registered engineer. Although not mandatory we strongly recommend the oxy-pilot assembly is replaced every 12 months. Any debris or deposits should be removed from the fuel bed from time to time. This may be carried out by referring to the cleaning section as described later in this book. Only the correct number and type of logs must be used and only complete and genuine replacement sets must be used. Always keep furniture and combustible materials well clear of the fire and never dry clothing or items either on or near to the fire. Never use aerosols or flammable cleaning products near to the fire when it is in use.

**The ceramic fuel bed remains hot for a considerable period after use and sufficient time should be allowed for the fire to cool before cleaning etc.**

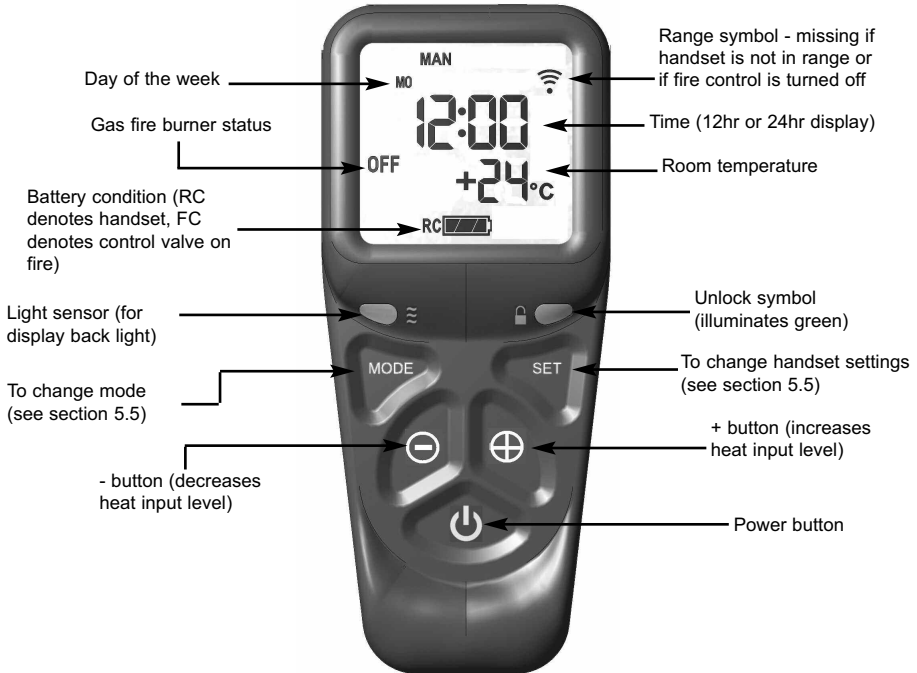
**IMPORTANT : DO NOT UNDER ANY CIRCUMSTANCES USE THIS FIRE IF THE GLASS PANEL IS BROKEN, CRACKED OR MISSING.**

**IMPORTANT : THIS APPLIANCE IS NOT INTENDED FOR USE BY PERSONS (INCLUDING CHILDREN) WITH REDUCED PHYSICAL, SENSORY OR MENTAL CAPABILITIES, OR LACK OF EXPERIENCE AND KNOWLEDGE, UNLESS THEY HAVE BEEN GIVEN SUPERVISION OR INSTRUCTION CONCERNING USE OF THE APPLIANCE BY A PERSON RESPONSIBLE FOR THEIR SAFETY. CHILDREN SHOULD BE SUPERVISED TO ENSURE THAT THEY DO NOT PLAY WITH THE APPLIANCE. ANY**

### 5.3 OPERATING THE FIRE AND USER CONTROLS - REMOTE CONTROL MODELS

5.3.1 Ensure valve power isolation switch is in the “on” position on the valve  
 Hold the handset with one hand ensuring your hand is wrapped around the back and that your hand is in contact with both sides of the handset. The green light of the “unlock” symbol should light. See figure 1 below.

Fig. 1



5.3.2 Press and hold the power button continuously until the word “PILOT” appears at the bottom left of the display as shown overpage in figure 2, (this typically takes two seconds). The burner will now light at maximum heat input level and will display “MAX” in the bottom left hand side of the display as shown in figure 3 overpage. **For most efficient performance leave the fire on high when lighting from cold for ten minutes.**

NOTE : If the power button is pressed for too long or too short a time or the grip on the handset is not firm or is released too soon, the lighting sequence will be interrupted and not complete. The reason for the remote control having this strict start sequence is for safety reasons so that the starting operation of the fire will be most unlikely to be done other than intentionally by an adult.

**Fig. 2 - "PILOT" displayed**



"PILOT" displayed on handset during ignition sequence (typically takes two seconds)

**Fig. 3 - "MAX" & large flame symbol displayed**

"MAX FLAME" displayed on handset when burner is lit to maximum rate



## 5.3 OPERATING THE FIRE AND USER CONTROLS (CONTINUED)

- 5.3.3 To decrease the heat input level of the burner hold the handset as described in section 5.3.1 to unlock the keypad then press and release the - button. Pressing and releasing the - button will lower the heat input level one step at a time. Pressing the - button continuously will move the heat input level to the minimum, see figure 4 below.

Fig. 4



- 5.3.4 To increase the heat input level of the fire's burner hold the handset as described in section 5.3.1 to unlock the keypad then press and release the + button. Pressing and releasing the + button will increase the heat input level one step at a time. Pressing the + button continuously will move the heat input level to the maximum.
- 5.3.5 To turn the fire off hold the handset as described in section 5.3.1 to unlock the keypad then press and release the power button. The burner will go out.

**5.3.6** **If you are not intending to use the fire for a long period (i.e. over the summer months) the battery life can be extended by disconnecting the battery pack from the valve, see section 2.2.1**

**5.3.7** **In the event of loss of the remote handset, as a backup the fire can be turned off by pressing the on/off switch located below the grill at the base of the fire.**

**5.3.8** If the handset is misplaced you can “page it” by pressing the (+) button only on the control valve on the fire for a period of 5 seconds. The handset will flash and make an audible noise to help you locate it. Once you find the handset with one hand ensure your hand is wrapped around the back and that your hand is in contact with both sides of the handset then the audible noise will cease. The flashing and sound will last for 60 seconds each time the handset is paged as described. If not found in 60 seconds page the handset again until located.

**IMPORTANT NOTE : THE BATTERIES SHOULD BE REPLACED WITH GOOD QUALITY ALKALINE BATTERIES WHEN REQUIRED, THE BATTERY LIFE IS EXPECTED TO BE A MINIMUM OF 12 MONTHS WITH NORMAL USAGE. FOR BEST PERFORMANCE BFM EUROPE RECOMMEND THE USE OF ENERGIZER BATTERIES WITH IT'S PRODUCTS.**

## 5.4 SETTING THE TIME, DATE & TEMPERATURE ON THE REMOTE HANDSET

- 5.4.1 Fit the 2 off AA batteries to the handset by removing the cover on the rear of the handset and inserting the batteries, ensure the correct +/- polarity is observed. Following insertion of the batteries the screen displayed will be as shown below in figure 6.

Fig. 6



- 5.4.2 Hold the handset with one hand ensuring your hand is wrapped around the back and that your hand is in contact with both sides of the handset. The green light of the “unlock” symbol should light and the screen displayed will be as shown overpage in figure 7.
- 5.4.3 The “H” symbol as indicated in figure 7 overpage indicates that the timer can now be set in either 24hr or 12hr mode. Press the + or - buttons on the handset to toggle between the two settings, figure 7 overpage displays the 24hr mode.

**Fig. 7**



5.4.4 When the 24hr or 12hr time display option has been chosen and you are ready to confirm the setting you want press the SET button on the handset to progress to setting the day of the week as shown overpage in figure 8.

5.4.5 Press and release the + and - buttons on the handset until the correct day of the week is shown on the handset display

Mo = Monday  
Tu = Tuesday  
We = Wednesday  
Th = Thursday  
Fr = Friday  
Sa = Saturday  
Su = Sunday

5.4.6 Press SET to accept the day of the week and progress to setting the hour of the day.

**Fig. 8**



5.4.7 As shown above in figure 8 the time on the handset can now be set by using the + and - buttons to change the hour to the correct hour then press SET to store and to move to setting the minute. Repeat this process for setting the minute to the correct minute then press SET to store.

5.4.8 The handset will then display the temperature setting screen as shown overpage in figure 9, the option to choose either Celsius or Fahrenheit can be chosen, these settings are shown as either C or F. Use the + and - buttons to toggle between these two options then press SET to store. The important settings have now been completed so press and hold the SET button for a few seconds and this will exit the set-up menu.



**Fig. 9**



5.4.9 The control is now ready for use with the burner.

5.4.10 If the handset is misplaced you can “page it” by pressing the (+) button only on the control valve on the fire for a period of 5 seconds. The handset will flash and make an audible noise to help you locate it. Once you find the handset with one hand ensure your hand is wrapped around the back and that your hand is in contact with both sides of the handset then the audible noise will cease. The flashing and sound will last for 60 seconds each time the handset is paged as described. If not found in 60 seconds page the handset again until located.

## 5.5 ADVANCED SETTINGS MENU OF THE REMOTE CONTROL

### 5.5.1 Snooze mode in manual operation

- 5.5.1.1 Snooze mode is a time period which can be set which will turn the fire automatically off after a certain time period has elapsed.
- 5.5.1.2 Hold the handset with one hand ensuring your hand is wrapped around the back and that your hand is in contact with both sides of the handset. The green light of the “unlock” symbol should light. The snooze time period can be set either before or during manual operation of the fire.
- 5.5.1.3 With the handset held as described above, press the mode button to scroll through the functions until the symbols MAN and Zzz are flashing at the top of the display as shown below in figure 10.
- 5.5.1.4 Press and release the set button and this will put the control into the manual snooze mode.
- 5.5.1.5 The default time period in snooze mode is 1:00 hour.

**Fig. 10**



5.5.1.6 Pressing the set button again will now show you the snooze time period remaining. The snooze time period can be adjusted by pressing the + or - buttons on the handset. This time period can be set ranging from 1 minute to 4:00 hours.

5.5.1.7 To adjust the snooze period, hold the handset with one hand ensuring your hand is wrapped around the back and that your hand is in contact with both sides of the handset. The green light of the “unlock” symbol should light. Press the set button and the screen will show how long is left of the snooze period as shown below in figure 11.

**Fig. 11**



5.5.1.8 To adjust the snooze period use the + and - buttons to increase or decrease the snooze period for any period between 1 minute and 4:00 hours.

5.5.1.9 When the correct snooze period is indicated on the handset, press the set button to store the required time period, or alternatively the handset can be left for a few seconds and the period will be stored automatically.

5.5.1.10 When the countdown timer for the snooze period has reached zero the fire will turn off (as if you had turned the fire off manually).

## 5.5.2 Thermostatic mode

**PLEASE NOTE : Thermostatic mode of this fire will only allow regulation of the room temperature by the fire when it has been already lit via manual operation of the handset. It will not allow the fire to light automatically due to low ambient room temperature and should therefore not be relied upon for frost protection purposes.**

5.5.2.1 Hold the handset with one hand ensuring your hand is wrapped around the back and that your hand is in contact with both sides of the handset. The green light of the “unlock” symbol should light.

5.5.2.2 With the handset held as described above, press and release the mode button several times as necessary until the display has the thermometer symbol flashing at the top of the display. Press the set button to enter this mode, as shown below in figure 12.

Fig. 12



5.5.2.3 Press the set button again to see the temperature setting that is set (the default is 24 degrees celsius). If a different set temperature is required, whilst the display is showing this set temperature, press the + and - buttons to alter this setting, press the set button to store the required temperature, or alternatively the handset can be left for a few seconds and the temperature will be stored automatically.

5.5.2.4 If at any time the power button is operated during thermostat mode the control will cancel any thermostat operation and return the control to manual mode.

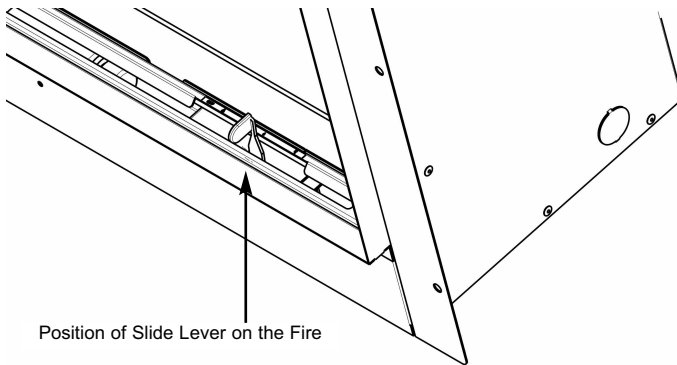
5.5.2.5 **IMPORTANT NOTE : Thermostat mode will not light the fire automatically and will only regulate between the maximum and minimum burner setting. The fire must be lit manually via the handset and then you enter thermostat mode as described in this section and set the temperature. When no longer requiring thermostat mode turn off the burner and the handset will return to manual mode.**

## 5.6 OPERATING THE FIRE AND USER CONTROLS - SLIDE CONTROL MODELS

**IMPORTANT : IF THE BURNER IS EXTINGUISHED FOR ANY REASON YOU MUST ENSURE THAT YOU WAIT A FULL FIVE MINUTES BEFORE ATTEMPTING TO RE-LIGHT THE FIRE.**

- 5.6.1 Turn on the isolation valve. The slide control lever is located at the bottom right hand side of the fire. Depress the control lever fully to the right to the ignition position as shown below in figure 14 . Hold down the control lever at the ignition position as displayed in figure 14 for a few seconds to allow the gas to reach the pilot.

**Fig. 13**



**Fig. 14**



- 5.6.2 The fire will then begin its ignition sequence. If the pilot does not light, continue to press the control lever until ignition occurs. The pilot flame can be seen by looking to the the right hand centre of the burner unit . When the pilot has lit, continue to hold the control lever down for 10 seconds to allow the thermocouple to heat up, before releasing the lever apply one firm push to the right to ensure that the f.s.d. valve is fully latched, if the pilot goes out when the control lever is released, repeat the lighting sequence.

## 5.7 CHANGING THE BATTERIES - REMOTE CONTROL MODELS

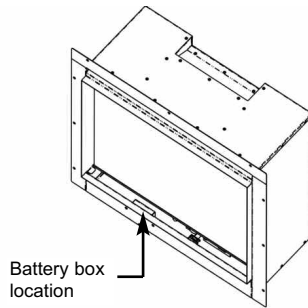
### 5.7.1 Changing the Batteries in the Handset

5.7.1.1 Remove and re-fit the new 2 off AA batteries by removing the cover on the back of the handset.

### 5.7.2 Changing the Batteries in the Fire

5.7.2.1 The battery pack is located as shown below in figure 15.

**Fig. 15**

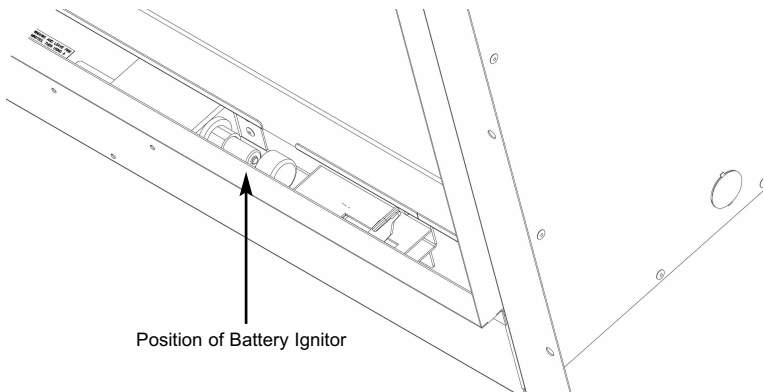


5.7.2.2 Lift battery pack from its retaining bracket, remove rear cover (held in position by screw) and then fit 3 off AA batteries. Replace cover and then re-position battery pack within retaining bracket.

## 5.8 CHANGING THE BATTERY - SLIDE CONTROL MODELS

- 5.8.1 ENSURE THE FIRE IS COOL BEFORE ATTEMPTING TO CHANGE THE BATTERY. Remove the lower grill by lifting clear. Locate the battery holder / ignition generator unit at as shown below in figure 16
- 5.8.2 Unscrew the retaining cap, remove and replace the 1 off AA battery, then replace the retaining cap. BFM Europe recommend the use of “Energizer” batteries. **It is important that only an alkaline battery is used, otherwise premature battery failure and leakage may result.**

Fig. 16





## 5.9 CLEANING INSTRUCTIONS

Before attempting any cleaning operation ensure that the fire has been allowed to fully cool.

### 5.9.1 Cleaning the metal painted parts / optional trim

These metal painted parts should only be cleaned using a clean, damp cloth. **Abrasive cleaners, chemical cleaning agents or any type of polish must never be used as damage to the finish may result.**

### 5.9.2 Cleaning the fuel-bed

We do not recommend cleaning of logs or fuelbed components as these are fragile and damage may result. **None of these parts must be washed or exposed to any cleaning agents or water.** Any damaged parts must be replaced by contacting your dealer or telephoning BFM Europe on the number stated on the rear cover of this book. Logs must only be replaced with a complete and genuine replacement set and the fire must never be run with the wrong number or damaged logs. The fuelbed must be carefully re-assembled as stated in the following section.

### 5.9.3 Cleaning the glass panel

Before attempting any cleaning operation ensure that the fire has been allowed to fully cool. Associated Black painted metal parts should be gently cleaned with a damp cloth.

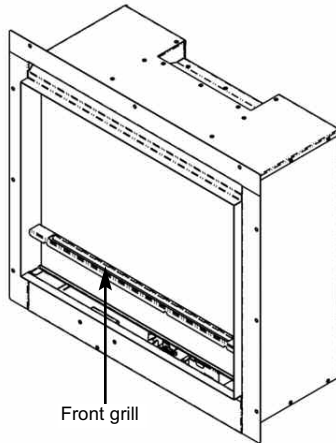
To clean the glass panel, please remove it from the product as described in section 5.10. Use a clean damp cloth and ceramic glass cleaner to remove any stains or deposits from the glass panel. Do not use scouring pads as this may scratch the surface finish of the glass panel.

**PLEASE NOTE** :- The glass will require cleaning periodically. Condensation produced by the products of combustion will create marks on the inside face of the glass panel.

## 5.10 REMOVING / REPLACING THE GLASS PANEL

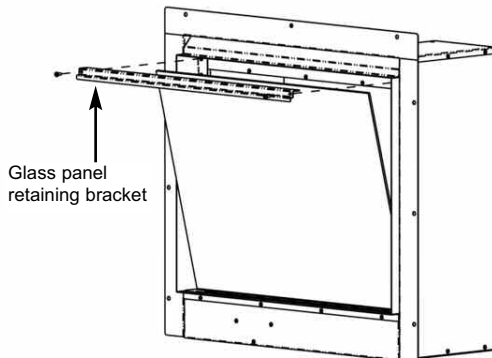
- 5.10.1 Remove the trim (if fitted) and front grill as below in figure 17 by lifting clear.

**Fig. 17**



- 5.10.2 Remove the two off screws which secure the glass panel retaining bracket as shown below in figure 18, then tilt the glass panel forward to remove it.

**Fig. 18**



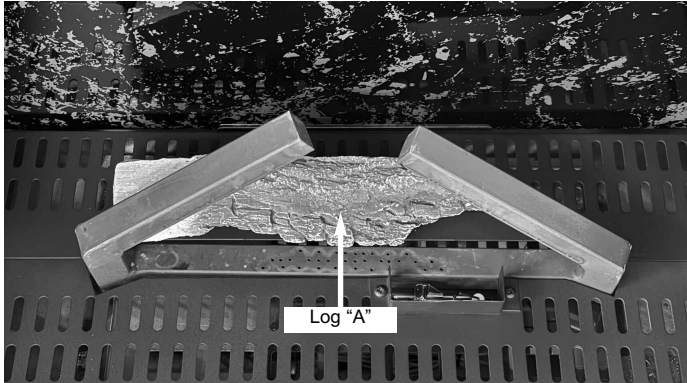
- 5.10.3 Store the glass panel in a safe place.
- 5.10.4 Re-assemble in reverse order when re-fitting the glass panel.

**DO NOT OPERATE THE FIRE WITHOUT THE GLASS PANEL IN POSITION OR NOT CORRECTLY LOCATED.**

## 5.11 REMOVAL & RE-FITTING THE FUEL-BED LOGSET

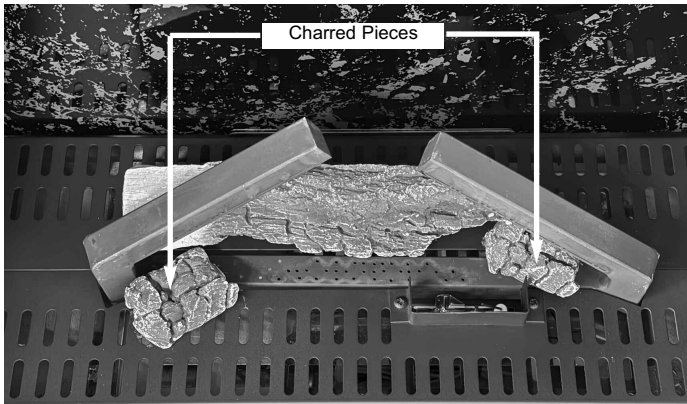
5.11.1 Position Log "A" behind the burner as shown below in figure 19.

Fig. 19



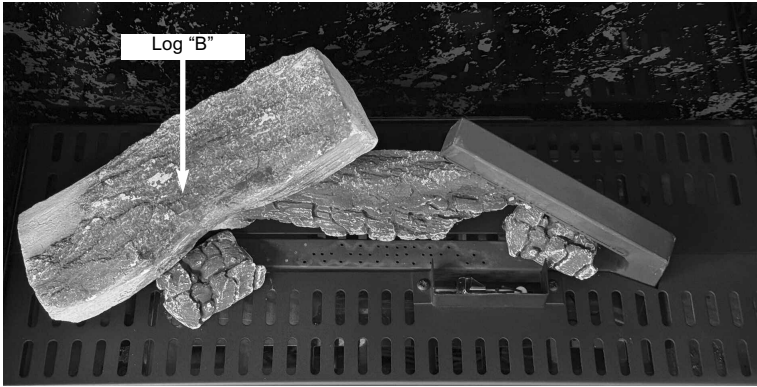
5.11.2 Position 2 off charred log pieces as shown below in figure 20.

Fig. 20



5.11.3 Position Log "B" onto the left hand burner as shown below in figure 21, using the slot in the bottom of the log as a guide for placement.

**Fig. 21**



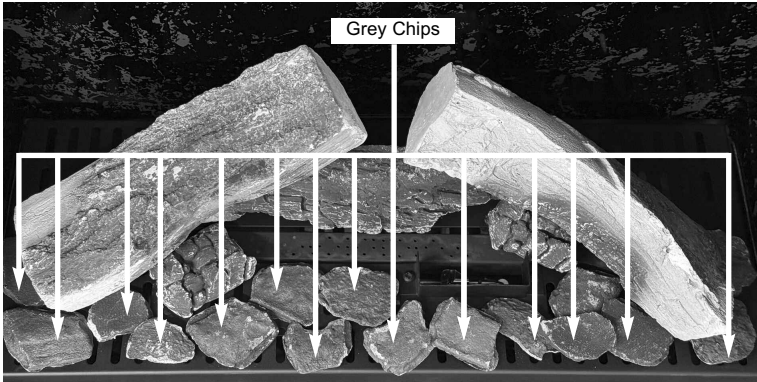
5.11.4 Position Log "C" onto the right hand burner as shown below in figure 22, using the slot in the bottom of the log as a guide for placement.

**Fig. 22**



5.11.5 Position the grey chippings across the front fuel-bed support as shown below in figure 23.

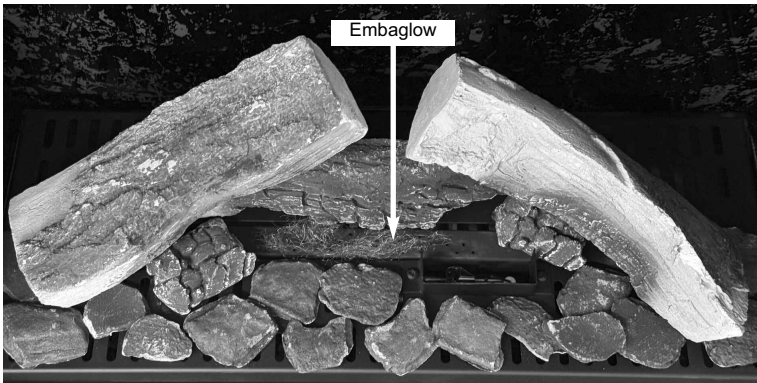
Fig. 23



5.11.6 Position the Embaglow onto the burner base as shown below in figure 24.

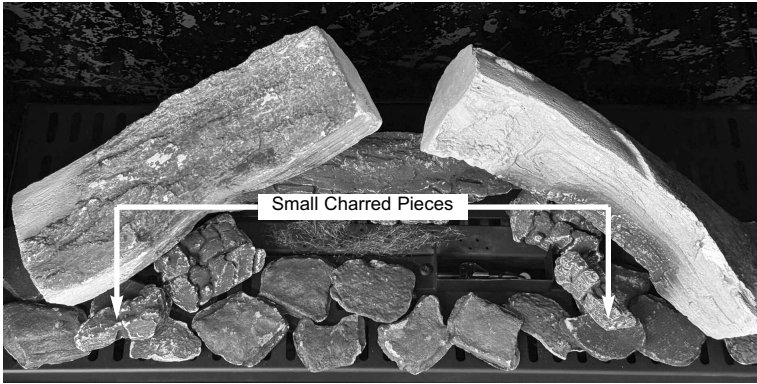
Fig. 24

**DO NOT POSITION ANY EMBAGLOW MATERIAL IN CLOSE PROXIMITY TO THE PILOT ASSEMBLY**



5.11.7 Position the two off small charred pieces as shown below in figure 25.

**Fig. 25**



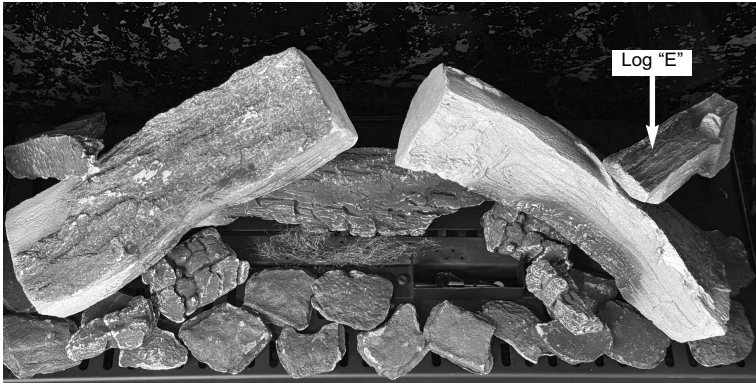
5.11.8 Position Log "D" at the left hand side of the fuel-bed, locating onto cut out on Log "B" to support it as shown below in figure 26.

**Fig. 26**



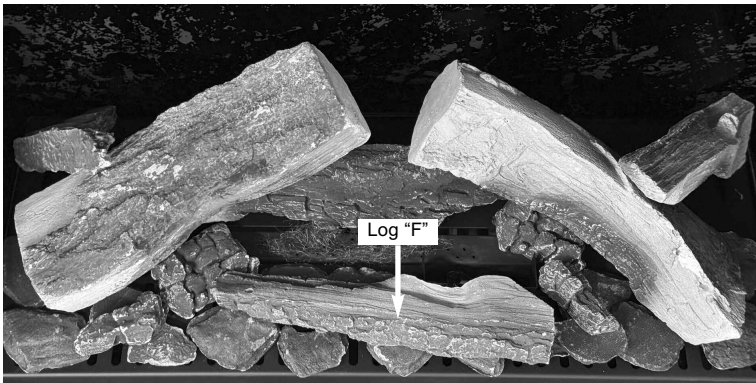
- 5.11.9 Position Log “E” at the right hand side of the fuel-bed, locating onto cut on Log “C” to support it as shown below in figure 27.

Fig. 27



- 5.11.10 Position Log “F” at the front of the fuel-bed, as shown below in figure 28.

Fig. 28



- 5.11.11 Re-fit the glass panel in reverse order to that shown in section 5.11

**Warning :** Use only the logs supplied with the fire. When replacing the logs remove the old logs and discard them. Fit a complete set of logs of the correct type. Do not fit additional logs or any logs other than a genuine replacement set.

## 5.12

## USER REPLACEABLE PARTS LIST

B-1039950	Glass Panel (All Models)
B-1044105	Complete Log Set (All Models)
B-1044105A	Log A (All Models)
B-1044105B	Log B (All Models)
B-1044105C	Log C (All Models)
B-1044105D	Log D (All Models)
B-1008055E	Log E (All Models)
B-1044105F	Log F (All Models)
B-1044512	Bag of Grey Chips (All Models)
B-120070	Embaglow (All Models)
B-1000661	Small Log Fragments (Charred) - All Models
B-1000662	Large Log Fragments (Charred) - All Models

**Part No. B-1044275**

**Issue 1**

The  
**Collection**  
by MICHAEL MILLER

BFM Europe Ltd.  
Trentham Lakes  
Stoke-on-Trent  
Staffordshire  
ST4 4TJ

[www.bfm-europe.com](http://www.bfm-europe.com)

**Telephone - General Enquiries :** (01782) 339000  
**Telephone - Service :** (01782) 339008