

Pre-Built Media Wall Assembly



Instructions compatible for:

Media Wall S-1000 - White with Acoustic Oak Back Panel / Cupria Slate

Media Wall S-1250 - White with Acoustic Oak Back Panel / Cupria Slate

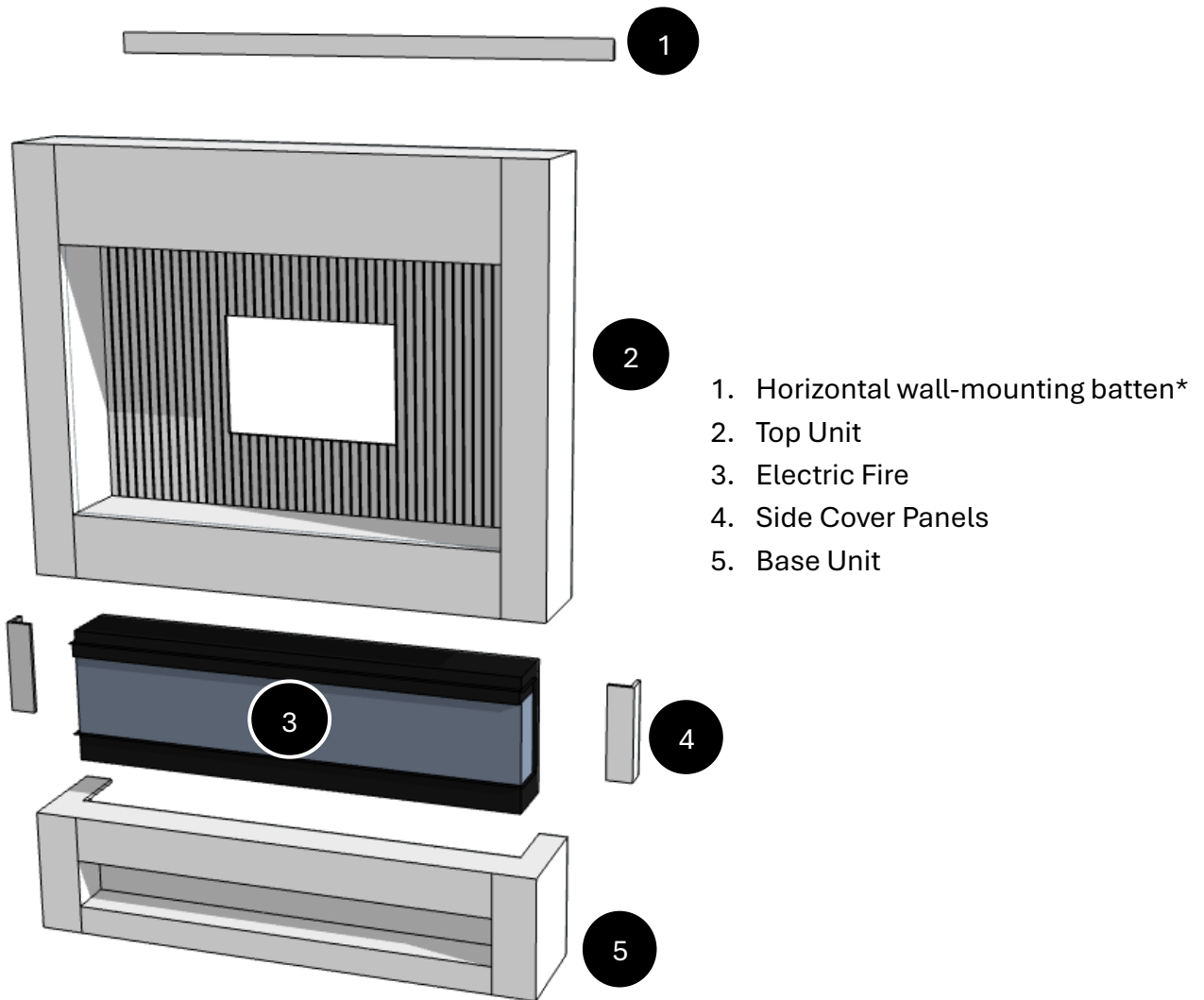
Media Wall S-1600 - White with Acoustic Oak Back Panel / Cupria Slate

Media Wall DLX 1250 – White with Acoustic Oak Back Panel / Cupria Slate

PLEASE NOTE:

This document is only a guide. Read all the instructions and consult with a professional, if necessary, prior to starting the installation. Wall plugs / wall fixings are not included.

Media Wall Component List.

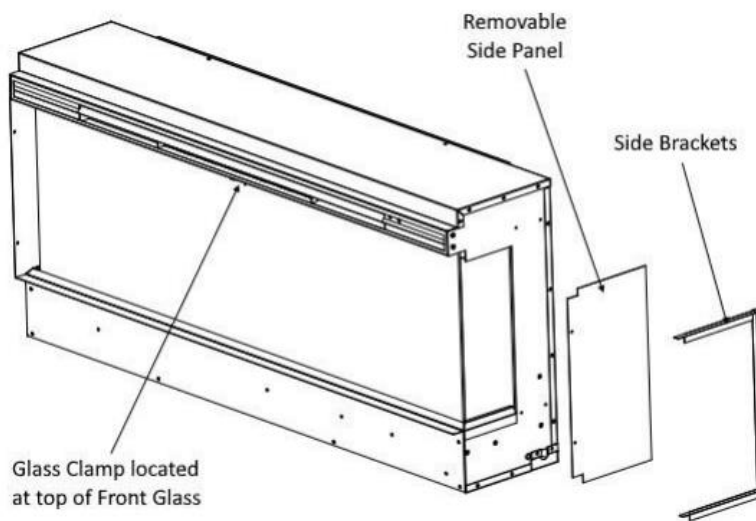


NOTE:

The Horizontal wall-mounting batten (1) is attached to the top unit and should be removed prior to install. Note that it's a split batten design—one side is fixed and glued to the unit, while the other is loosely screwed for easy removal and wall mounting.

Pre-install Checks.

1. Ensure there is an appropriate power supply socket for the installation (TV, entertainment system, Fireplace etc.)
2. If a wall socket needs to be repositioned, we recommend having it installed or moved by a qualified electrician before installation.
3. Ensure the media wall unit will sit flush and level against the wall. Remove any obstructions, like skirting boards, if necessary.



4. Make sure the fire is setup in the 3-sided configuration by removing the side panels and re-install the side brackets. *(Shape and style of side panels may vary depending on the model. Please refer to the fire installation manual if unsure.)*

Installation

Step 1:

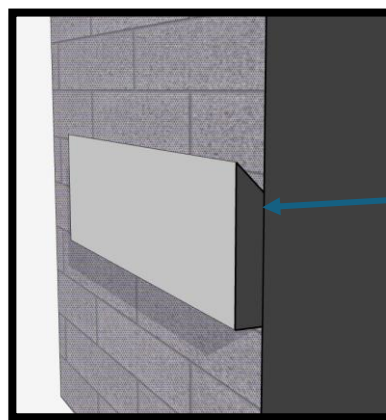


Gently insert the Electric Fire **(3)** into the base unit **(5)**. Position the base unit in the desired location and connect the fire to the power supply. Make sure the base unit is positioned flush against the wall.

Step 2:



Measure 1,610mm from the top of the base to the bottom of the wall mounting batten. Mark out as necessary and securely fix the batten to the wall ensuring it is central and level relative to the base unit.



Ensure the chamfered edge faces the wall.

Section View of the wall batten fixed to the wall.

Step 3:



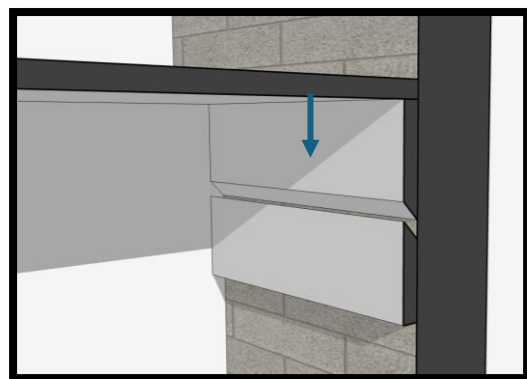
Place the Side Cover panels **(4)** either side of the electric fire and screw them into base unit.

Step 4:



Carefully lift the top unit **(2)** over the fire then slowly lower it down until its resting on the top flange of the fire.

The horizontal battens at the rear of the unit **MUST** interlock with each other fully to ensure a secure hold.



Section View of the Back of the Top Unit showing how to interlock the battens.

Step 5:



Install the relevant TV wall mount bracket and mount the TV. Finalise your fire installation, decorate to suit, seat back and enjoy your new fire!

IMPORTANT NOTE:

The TV bracket **MUST** be secured to a structurally appropriate wall and **NOT** to the media wall unit.

All Done!

SHARE IT!

Go on, its time to brag! We'd love to see your masterpiece.
Share it on social media. Don't forget to use the hashtags

#myCELSIfire

