

THE
COLLECTION

by Michael Miller

7

YEAR WARRANTY



LEADING BY DESIGN

THE COLLECTION

by Michael Miller

Beauty, warmth, a work of art... discover The Collection



When I imagine my ideal home, I see the perfect blend of form and function, with a fire at its heart that impresses with its design and innovation.

A fire is more than just a source of warmth; it's a statement of style that brings your home to life. That's why we've crafted this stunning collection of unique gas and electric fires designed to offer you the highest quality and superb energy efficiency. They not only look beautiful but work beautifully too.

I'm proud of The Collection and fully confident in its quality, reliability, and durability. That's why I offer a 7 year warranty on gas fires and a 5 year warranty on electric fires.

I hope you enjoy choosing your new fire.

A handwritten signature in black ink, which appears to read "Michael Miller".





Contents

5	Introduction & guarantee	7	Product testing and certification
6	High efficiency gas fires	8	Deluxe Glass interiors

GAS

10	Da Vinci MD Suites	44	Eden Elite & Slimline BF
12	Aleesia	46	Avignon Elite & Slimline BF Suites
16	Aleesia Suite	48	Parada Elite & Slimline BF Illumia Suites
22	Asencio	50	Carmelo HE
24	Asencio Suite	52	Passion HE & BF
28	Celena	54	Passion HE & BF Suites
30	Celena Slimline BF	56	Passion HE & BF Accessories
34	Boticelli Celena Suite		
36	Boticelli Celena Slimline BF Suite		
38	Angelo Celena Suite		
40	Pablo Celena Suite		

ELECTRIC

14	DLX 750 & Vader
20	DLX Aleesia 750 Suite
22	DLX 600XT & Evora
26	DLX Asencio 600XT Suite
32	DLX 600 & Impulse
42	DLX 600 Suites

DIMENSIONS

58	Gas Fire Dimensions	68	Electric Fire Dimensions
61	Gas Suite Dimensions	69	Electric Suite Dimensions
67	Balanced Flue Installations		

ONLINE VIDEO

Wherever you see this symbol, use the QR code scanner app on your smartphone or mobile device to watch a short video of this fire.

Discover our Gas & Electric Fires & Suites

Transform your room with our stunning fires, available in elegant suites, sleek wall-inset designs, and easy-to-install models that require no chimney. Each fire starts as a concept from our R&D team, is approved by leading independent organizations, and crafted with care in our UK facility. Every fire undergoes strict quality checks. Choose from The Collection for a perfect blend of beauty, warmth, and cutting-edge technology.



Every gas fire comes with a 7 year warranty, subject to terms and conditions, offering you peace of mind for years to come. To ensure safe operation and optimal performance, we recommend all gas fires are installed and serviced by a Gas Safe Registered engineer.



Our premium range of Celsi electric fires provides versatile heating for any room in your home simply by plugging into the nearest mains socket. Discover our contemporary styles designed to look sensational and create comfortable controllable warmth.

We are confident you are getting a product that is built to last. That's why we offer a 5 Year warranty across our DLX electric fires range, subject to terms and conditions.



high efficiency

BFM Europe Ltd is renowned for efficient fires and now sets new standards with The Collection by Michael Miller, offering exceptional heat output and lower running costs.

All gas fires in this range feature a glass panel that directs radiant heat from the fuel bed into the room, reducing heat loss through the chimney. This radiant heat is combined with convected heat produced by cool air drawn into the fire through the heat exchanger, and emitted as warm air through the gap above the canopy. Making our gas fires some of the most efficient available.

Many fires in this range have a balanced flue system, perfect for homes without a built-in chimney or flue. These systems vent through an outside wall or roof, with options for horizontal or vertical flue kits, offering flexibility in fireplace location.

More information about balanced flue kits can be found on pages 67.



Product Testing & Certification

All our gas fires are independently tested, approved and verified by the British Standards Institution (BSI) to meet the latest standards for performance, safety and efficiency.

BSI is an independent organisation. They are not owned by the government, industry or shareholders, which means that they can be totally objective with regards testing and certification. This gives their assessments more authority than those of an organization that has a vested interest in promoting its members.

They have some of the most experienced and knowledgeable staff in the world and are recognised internationally for their technical expertise, quality services and in-depth knowledge of gas and electrical product testing and certification.

The wide-ranging capability of their testing facilities and the broad expertise and knowledge of their testing and certification staff ensures our products are rigorously tested with the utmost integrity.



ECODESIGN COMPLIANT

This logo signifies that the product is fully compliant with the Eco design directive Commission Regulation (EU) 2015/1188.



CRAFTED IN BRITAIN

Every gas fire in The Collection by Michael Miller range is developed and manufactured in Britain at our purpose built state-of-the-art facility in Staffordshire.



TESTED & APPROVED

Conforms to GB legislation



A Touch of Class... Deluxe Glass

“Your choice from our Deluxe range is a pure reflection of your own desire and belief in high quality, style, sophistication and cutting edge design. My compliments on your choice and pursuit of excellence, a true reflection of class.”



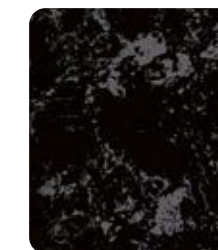
DELUXE GLASS INTERIORS



Black & Marble Gold



White & Stone Grey



Black & Onyx Grey

Da Vinci Aleesia Asencio Celena Passion HE

Our exceptional range of products provide all the warmth, comfort, and style to be expected from high performance gas fires. This collection of exclusive Deluxe glass interiors introduce an additional layer of pure aesthetic luxury.





Da Vinci MD Illumia Gas Fire Suites

The Da Vinci mid-depth gas fire is now available in three limestone Illumia suites, the classically designed Da Vinci, Giuliano, and the more contemporary Monet, all sure to be the centre of attention in any home. The fire provides highly realistic logs, paired with the latest MM-44 dual-flame burner technology, delivering log burning flame integration.

These suites are available as conventional flue models, suitable for installation into any standard brick chimney or pre-fabricated flue, with a maximum heat output of 6.8kW. Each surround features controllable inset decorative lights, and the fire features include our multi-functional remote control system with thermostatic and timer functions. Non-reflective glass provides an exceptionally clear vision of this most natural and truly vibrant living flame gas fire.

Deluxe Glass, and Black Enamel interiors available.

*A 240V mains electricity supply is required to power the remote control system.

SPECIFICATION		CONVENTIONAL FLUE
		Natural Gas
Useful energy efficiency		71.9%
Energy efficiency class		E
Direct heat output		6.8kW
Flue		Brick Chimney or pre-fabricated flue
Control		Multifunctional Remote Control
Da Vinci Suite Model Number	Black & Onyx Grey DLX Glass	DDCLNIRN3-BGY210
	Black Enamel	DDCLRBRN3210
Monet Suite Model Number	Black & Onyx Grey DLX Glass	DDCLNIRN3-BGY448
	Black Enamel	DDCLRBRN3448
Giuliano Suite Model Number	Black & Onyx Grey DLX Glass	DDCLNIRN3-BGY151
	Black Enamel	DDCLRBRN3151



GIULIANO ILLUMIA MD SUITE
BLACK ENAMEL INTERIOR



MONET ILLUMIA MD SUITE
BLACK ENAMEL INTERIOR





Aleesia Gas Fires

The Aleesia is a highly efficient landscape gas fire that benefits from virtually invisible non-reflective glass, along with naturally detailed realistic logs.

Onboard zig-zag burner technology creates lively captivating flames that flow throughout the fuel effect.

Fascias for this product are available in a dual metallic finish of Black Nickel & Black, or Black Nickel & Chrome.

This fire is operated by a multifunctional remote control system with thermostatic and timer functions allowing you to pre-set your desired room temperature and control when the fire turns on and off.

Deluxe Glass, and Black Enamel interiors available.

*A 240V mains electricity supply is required to power the remote control system.

Battery conversion kit available.



BLACK & MARBLE GOLD DELUXE GLASS INTERIOR
BLACK NICKEL & BLACK FASCIA



BLACK ENAMEL INTERIOR
BLACK NICKEL & CHROME FASCIA

SPECIFICATION

		CONVENTIONAL FLUE
		Natural Gas
Useful energy efficiency		74.8%
Energy efficiency class		E
Direct heat output		4.2kW
Flue		Brick Chimney or pre-fabricated flue
Control		Multifunctional Remote Control
Fire Model Number	Black & Onyx Grey DLX Glass	DDALNIRN-BGY
	Black & Marble Gold DLX Glass	DDALNIRN-BGD
	Black Enamel	DDALBERN





DLX 750 & Vader Electric Smart Fires

Experience the next generation of fire with the DLX 750, this wall inset glass-fronted fire showcases patented technology, creating living fire elements both above and below the surface. Natural, tall flames and realistic logs are now complemented by a spectacular underbed of living embers. This fire is available with the 'Vader' dual metallic fascia, with optional colour finishes in black nickel and black, or black nickel and chrome. Also available as a fire with no fascia.

Features

- Glass Fronted Fire
- Multi Flame Projection Technology®
- Living Ember Bed Technology®
- Flame Speed Control
- Woodland Ceramic Logs
- 16 pre-set colours/100+ custom/Animation mode
- LED brightness control
- Thermostatic remote & manual control operation
- CELSI App controllable. iOS & Android
- Amazon Alexa and Google Assistant compatible



CELSI SMART APP
Feature-rich and simple to operate. Control your fire from your smart phone or tablet with full handset functionality.



VADER-BLACK NICKEL & CHROME FASCIA



FASCIA-LESS

SPECIFICATION

SPECIFICATION		ELECTRIC
Heat output		0.8kW - 1.6kW
Control		Thermostatic Remote & Manual Control
Fire Model Number	Vader-Black Nickel & Black	CEULALRE-BNB
	Vader-Black Nickel & Chrome	CEULALRE-BNC
	Fascia-less	EDLXALRE-750





Aleesia Illumia Gas Fire Suites

The Aleesia Illumia features a classically styled Limestone surround with built in decorative lights. This efficient landscape gas fire benefits from virtually invisible non-reflective glass, along with naturally detailed realistic logs.

Onboard zig-zag burner technology creates lively captivating flames that flow throughout the fuel effect.

Operated by a multifunctional remote control system with thermostatic and timer functions, this fire allows you to pre-set your desired room temperature and control when it turns on and off.

Available surround widths are 58 inches, or 54 inch to fit smaller rooms or a narrow chimney breast.

Deluxe Glass, and Black Enamel interiors available.

*A 240V mains electricity supply is required to power the remote control system.

Battery conversion kit available.



BLACK & ONYX GREY DELUXE GLASS INTERIOR



BLACK ENAMEL INTERIOR

SPECIFICATION		CONVENTIONAL FLUE
		Natural Gas
Useful energy efficiency		74.8%
Energy efficiency class		E
Direct heat output		4.2kW
Flue		Brick Chimney or pre-fabricated flue
Control		Multifunctional Remote Control
54" Suite Model Number	Black & Marble Gold DLX Glass	DDALNIRN-BGD331
	Black & Onyx Grey DLX Glass	DDALNIRN-BGY331
	Black Enamel	DDALBERN331
58" Suite Model Number	Black & Marble Gold DLX Glass	DDALNIRN-BGD068
	Black & Onyx Grey DLX Glass	DDALNIRN-BGY068
	Black Enamel	DDALBERN068



58 INCH WIDTH



DLX Aleesia 750 Illumia

Electric Smart Suites

Featuring a classically styled Limestone surround with integrated decorative LED down lights.

Operated by a remote control system with thermostatic and timer functions, this fire allows you to pre-set your desired room temperature and control when it turns on and off.

This suite is available in 58, and 54 inch widths to accommodate a smaller room, or a narrow chimney breast.

Features

- Dimmable Surround LEDs
- Glass Fronted Fire
- Multi Flame Projection Technology®
- Living Ember Bed Technology®
- Flame Speed Control
- Woodland Ceramic Logs
- 16 pre-set colours/100+ custom/Animation mode
- LED brightness control
- Thermostatic remote & manual control operation
- CELSI App controllable. iOS & Android
- Amazon Alexa and Google Assistant compatible
- Available in two sizes



Feature-rich and simple to operate. Control your fire from your smart phone or tablet with full handset functionality.



54 INCH WIDTH

SPECIFICATION

SPECIFICATION		ELECTRIC
Heat output		0.8kW - 1.6kW
Control		Thermostatic Remote & Manual Control
Suite Model Number	58" Suite	CEULALS8RE
	54" Suite	CEULALS4RE



BLACK ENAMEL INTERIOR
BLACK NICKEL & CHROME FASCIA



Asencio Gas Fires

Elevate your living space with the Asencio Mk2 gas fire. Its mesmerizing flames and realistic log set create a stunning focal point. This beautiful gas fire boasts our latest Integrated Flame Burner Technology for a seamless, natural flaming logs effect.

Experience the perfect blend of style, comfort, and control with a choice of thermostatic remote, or the innovative slide control operation. Both systems offer simple functionality and convenience, allowing you to effortlessly adjust the flame intensity and heat output to your desired setting.

This high efficiency gas fire has a direct heat output up to 4.9kW.

Deluxe Glass, and Black Enamel interiors available.

Installation is suitable for most standard chimneys.



BLACK & MARBLE GOLD DELUXE GLASS INTERIOR
MATTE BLACK FASCIA



BLACK & ONYX GREY DELUXE GLASS INTERIOR
CHROME FASCIA

SPECIFICATION

	CONVENTIONAL FLUE		
	Natural Gas		
Useful energy efficiency	79.1 %	79.8 %	
Energy efficiency class	E	D	
Direct heat output	4.8kW	4.9kW	
Flue	Brick Chimney or pre-fabricated flue		
Control	Slide Control	Fully Automatic Remote with Thermostatic Control	
Fire Model Number	Black & Onyx Grey DLX Glass	DDCLGISN2-BGY	DDCLGIRN2-BGY
	Black & Marble Gold DLX Glass	DDCLGISN2-BGD	DDCLGIRN2-BGD
	Black Enamel	DDCLGISN2	DDCLGIRN2





DLX 600XT & Evora Electric Smart Fires

DLX 600XT is a glass-fronted wall inset electric fire featuring the stylish 'Evora' Black Nickel & Chrome steel fascia. This fire comes with Smart connection capability and innovative technology. The fuel bed consists of authentically designed woodland logs placed over a blaze underbed living embers.

This fire is also available as a minimalistic fascia-less option.

Features

- Glass Fronted Fire
- Multi Flame Projection Technology®
- Living Ember Bed Technology®
- Flame Speed Control
- Woodland Ceramic Logs
- 16 pre-set colours/100+ custom/Animation mode
- LED brightness control
- Thermostatic remote & manual control operation
- CELSI App controllable. iOS & Android
- Amazon Alexa and Google Assistant compatible



CELSI SMART APP

Feature-rich and simple to operate. Control your fire from your smart phone or tablet with full handset functionality.



FASCIA-LESS

SPECIFICATION

		ELECTRIC
Heat output		0.8kW - 1.6kW
Control		Thermostatic Remote & Manual Control
Fire Model Number	Evora-Black Nickel & Chrome	CEULASRE-FAS
	Fascia-less	EDLXASRE-6XT





Asencio Suite Gas Fire Suites

A perfect blend of modern design in Limestone. Its sleek lines and gentle curves create a striking focal point that complements any home style. Paired with the Asencio Mk2 gas fire, its realistic log set and natural flames create a stunning effect. Powered by our latest Integrated Flame Burner Technology this beautiful gas fire offers a seamless, natural fire experience.

Experience the perfect blend of style, comfort, and control with a choice of thermostatic remote, or the innovative slide control operation. Both systems offer simple functionality and convenience, allowing you to effortlessly adjust the flame intensity and heat output to your desired setting.

This high efficiency gas fire has a direct heat output up to 4.9kW. **Deluxe Glass, and Black Enamel interiors available.**

Installation is suitable for most standard chimneys.



BLACK & ONYX GREY DELUXE GLASS INTERIOR



BLACK ENAMEL INTERIOR

SPECIFICATION		CONVENTIONAL FLUE	
		Natural Gas	
Useful energy efficiency		79.1 %	79.8 %
Energy efficiency class		E	D
Direct heat output		4.8kW	4.9kW
Flue		Brick Chimney or pre-fabricated flue	
Control		Slide Control	Fully Automatic Remote with Thermostatic Control
Suite	Black & Onyx Grey DLX Glass	DDCLGISN2-BGY971	DDCLGIRN2-BGY971
Model	Black & Marble Gold DLX Glass	DDCLGISN2-BGD971	DDCLGIRN2-BGD971
Number	Black Enamel	DDCLGISN2971	DDCLGIRN2971





DLX Asencio 600XT

Electric Smart Suite

A beautiful contemporary Portuguese Limestone surround paired with the DLX 600XT electric fire. This innovative technology provides a deep fuel bed with supremely detailed ceramics capturing the authentic shape and texture of natural logs placed over a perception of hot charcoal embers.

At the touch of a button this fire creates beautiful flowing flames and relaxing comfortable warmth, much as you would expect from a natural fire experience. For a modern and elegant electric fireplace, enhancing your living space, creating a relaxing home lifestyle.

Features

- Glass Fronted Fire
- Multi Flame Projection Technology®
- Living Ember Bed Technology®
- Flame Speed Control
- Woodland Ceramic Logs
- 16 pre-set colours/100+ custom/Animation mode
- LED brightness control
- Thermostatic remote & manual control operation
- CELSI App controllable. iOS & Android
- Amazon Alexa and Google Assistant compatible



CELSI SMART APP

Feature-rich and simple to operate. Control your fire from your smart phone or tablet with full handset functionality.

SPECIFICATION

	ELECTRIC
Heat output	0.8kW - 1.6kW
Control	Thermostatic Remote & Manual Control
Suite Model Number	CEULASSRE





Celena Gas Fires

Fueled by our latest Integrated Flame Burner Technology, the Celena Mk3 gas fire boasts perfect proportions for a large flame viewing area while still accommodating installation in most standard chimneys. This highly efficient glass-fronted fire delivers up to 4.1kW of direct heat output.

Choose between thermostatic remote or the innovative slide control operation. Both systems offer simple functionality and convenience, allowing you to effortlessly adjust the flame intensity and heat output to your desired setting. Enjoy the flexibility and ease of use that these advanced control options bring to your home heating experience.

Deluxe Glass, and Black Enamel interiors available.



INTEGRATED FLAME BURNER TECHNOLOGY

SPECIFICATION	CONVENTIONAL FLUE	
	Natural Gas	
Useful energy efficiency	76.3%	78.5%
Energy efficiency class	E	D
Direct heat output	4.0kW	4.1kW
Flue	Brick Chimney or pre-fabricated flue	
Control	Slide Control	Fully Automatic Remote with Thermostatic Control
Fire Model Number	White & Stone Grey DLX Glass DPRLGISN3-WB	DPRLGIRN3-VWB
	Black Enamel DPRLGISN3B	DPRLGIRN3B



WHITE & STONE GREY DELUXE GLASS INTERIOR
MATTE BLACK FASCIA



BLACK ENAMEL INTERIOR
CHROME FASCIA



BLACK ENAMEL INTERIOR
BRASS FASCIA



Celena Slimline

Balanced Flue Gas Fire

Boasting a 89.3% energy efficiency performance with a 3.4kW heat output, this gas fire comes with natural appearance ceramic logs set against a glossy black enamel interior.

This fire is glass fronted and operated by fully automatic remote control. This system includes a thermostatic setting to allow for desired pre-set room temperature.

Designed for installation into homes without a standard chimney or flue.

*Requires a spacer when installing into a standard cavity wall.



BLACK NICKEL & CHROME FASCIA



BRASS FASCIA



MATTE BLACK FASCIA



SPECIFICATION		SLIMLINE BALANCED FLUE
		Natural Gas
Useful energy efficiency		89.3%
Energy efficiency class		B
Direct heat output		3.4kW
Flue		Horizontal
Control		Fully Automatic Remote with Thermostatic Control
Model Number	Black Enamel	DCBLBERNB2

*80mm Spacer 1184-1001079A



DLX 600 & Impulse

Electric Smart Fires

With perfect proportions the DLX 600 provides a contemporary minimalist solution for a modern fascia-less inset fireplace.

Smart Technology enabled and feature-rich this fire looks and performs sensationally. Bright lively flames and woodland effect logs create instant attraction, along with room warming controllability.

To create a bolder statement this stunning virtual reality fire can also be combined with our 'Impulse' metallic fascia options, available in a choice of two colour finishes, Satin Silver, and Satin Black.

Features

- Glass Fronted Fire
- Multi Flame Projection Technology®
- Living Ember Bed Technology®
- Flame Speed Control
- Woodland Ceramic Logs
- 16 pre-set colours/100+ custom/Animation mode
- LED brightness control
- Thermostatic remote & manual control operation
- CELSI App controllable. iOS & Android
- Amazon Alexa and Google Assistant compatible



CELSI SMART APP

Feature-rich and simple to operate. Control your fire from your smart phone or tablet with full handset functionality.

SPECIFICATION

SPECIFICATION		ELECTRIC
Heat output		0.8kW - 1.6kW
Control		Thermostatic Remote & Manual Control
Fire Model Number	Impulse-Satin Silver	ED600-972
	Impulse-Satin Black	ED600-463
	Fascia-less	EDLX22RE-600



IMPULSE SATIN SILVER FASCIA



FASCIA-LESS





Boticelli Celena Suite

Gas Fire Suites

The Boticelli Celena suite is designed to perfectly complement homes with traditional or modern styling. The surround features include pilaster legs with plinths, rolled edge framed mantle, and hearth with step detail. This suite is available in natural Limestone, or a popular combination of Limestone and Black Granite.

Your choice of surround is then accompanied with the perfectly proportioned Celena Mk3 gas fire with Integrated Flame Burner Technology, a highly efficient glass fronted fire with a direct heat output up to 4.1kW.

Whether you prefer the precision of a thermostatic remote or the simplicity of a slide control, both systems offer effortless control over flame intensity and heat output.

Deluxe Glass, and Black Enamel interiors available.



LIMESTONE
WHITE & STONE GREY DELUXE GLASS INTERIOR



LIMESTONE & BLACK GRANITE
BLACK ENAMEL INTERIOR



LIMESTONE
BLACK ENAMEL INTERIOR

SPECIFICATION		CONVENTIONAL FLUE	
		Natural Gas	
Useful energy efficiency		76.3%	78.5%
Energy efficiency class		E	D
Direct heat output		4.0kW	4.1kW
Flue		Brick Chimney or pre-fabricated flue	
Control		Slide Control	Fully Automatic Remote with Thermostatic Control
Limestone Suite Model Number	White & Stone Grey DLX Glass	DPRLGISN3-WG629	DPRLGIRN3-WG629
	Black Enamel	DPRLGISN3B629	DPRLGIRN3B629
Limestone & Black Granite Suite Model Number	White & Stone Grey DLX Glass	DPRLGISN3-WG467	DPRLGIRN3-WG467
	Black Enamel	DPRLGISN3B467	DPRLGIRN3B467



Boticelli Celena Slimline

Balanced Flue Suite

The Boticelli Celena balanced flue suite, made from Portuguese Limestone is beautifully designed to include pilaster legs with plinths, and smooth rolled edged mantle and hearth.

At the heart of this surround lies the glass fronted Celena BF gas fire. Its black enamel interior lining creates the perfect contrast against bright flowing flames and realistic ceramic logs, providing a showcase feature fireplace for your home.

Operated by a fully automatic remote-control, this system includes a thermostatic setting to allow for desired pre-set room temperature.



NATURAL LOGS AESTHETICS

SPECIFICATION

		SLIMLINE BALANCED FLUE
		Natural Gas
Useful energy efficiency		89.3%
Energy efficiency class		B
Direct heat output		3.4kW
Flue		Horizontal
Control		Fully Automatic Thermostatic Remote Control
Model Number	Black Enamel	DCBLBERNB720





Angelo Celena Gas Fire Suites

The Angelo suite is a modern design crafted from high quality Portuguese Limestone and features a combination of straight lines and soft curves with an attractive contemporary step hearth design. There is also a stunning combined Portuguese Limestone and Black Granite option to suit those who desire a sensational contrasting finish.

At the heart of this suite, you'll be quite at home with the highly efficient Celena Mk3 gas fire, featuring Integrated Flame Burner Technology and delivering up to 4.1kW of direct heat. Effortlessly control the flame intensity and heat output with either the precision of a thermostatic remote or the simplicity of a slide control.

Deluxe Glass, and Black Enamel interiors available.

SPECIFICATION	CONVENTIONAL FLUE		
	Natural Gas		
Useful energy efficiency	76.3%	78.5%	
Energy efficiency class	E	D	
Direct heat output	4.0kW	4.1kW	
Flue	Brick Chimney or pre-fabricated flue		
Control	Slide Control	Fully Automatic Remote with Thermostatic Control	
Limestone Suite Model Number	White & Stone Grey DLX Glass	DPRLG3N3-WG347	DPRLG3R3B-WG347
	Black Enamel	DPRLG3N3B347	DPRLG3R3B347
Limestone & Black Granite Suite Model Number	White & Stone Grey DLX Glass	DPRLG3N3B-WG829	DPRLG3R3B-WG829
	Black Enamel	DPRLG3N3B829	DPRLG3R3B829



LIMESTONE & BLACK GRANITE
BLACK ENAMEL INTERIOR



LIMESTONE
WHITE & STONE GREY DELUXE GLASS INTERIOR



LIMESTONE & BLACK GRANITE
WHITE & STONE GREY DELUXE GLASS INTERIOR





Pablo Celena Gas Fire Suites

For simplistic fireplace aesthetics, the Pablo Celena suite is the perfect choice. The sleek, minimalist styling and clean straight lines deliver impact and noticeable prominence. Made from the finest quality Portuguese Limestone this surround perfectly frames the high performance Celena Mk3 gas fire.

This glass fronted fire features a beautiful natural log fuel effect and features Integrated Flame Burner Technology, providing up to 4.1kW heat output. Whether you prefer the precision of a thermostatic remote or the simplicity of a slide control, both systems offer effortless control over flame intensity and heat output.

Deluxe Glass, and Black Enamel interiors available.



WHITE & STONE GREY DELUXE GLASS INTERIOR

SPECIFICATION		CONVENTIONAL FLUE	
		Natural Gas	
Useful energy efficiency		76.3%	78.5%
Energy efficiency class		E	D
Direct heat output		4.0kW	4.1kW
Flue		Brick Chimney or pre-fabricated flue	
Control		Slide Control	Fully Automatic Remote with Thermostatic Control
Suite Model Number	White & Stone Grey DLX Glass	DPRLG3N3-WG968	DPRLG3N3-WG968
	Black Enamel	DPRLG3N3-BE968	DPRLG3N3-BE968



DLX 600

Electric Smart Suites

The perfect proportions of the DLX 600 electric fire are combined with three of our finest quality Portuguese Limestone surrounds. **Boticelli, Angelo, Pablo.**

Features

- Glass Fronted Fire
- Multi Flame Projection Technology®
- Living Ember Bed Technology®
- Flame Speed Control
- Woodland Ceramic Logs
- 16 pre-set colours/100+ custom/Animation mode
- LED brightness control
- Thermostatic remote & manual control operation
- CELSI App controllable. iOS & Android
- Amazon Alexa and Google Assistant compatible



CELSI SMART APP
 Feature-rich and simple to operate. Control your fire from your smart phone or tablet with full handset functionality.



DLX ANGELO 600 SUITE
 A modern surround crafted with a combination of straight lines and soft curves, including a contemporary step hearth design.



DLX PABLO 600 SUITE
 A more simplistic surround aesthetic, and the perfect choice for minimalist styling with clean straight lines to create an impression.

SPECIFICATION		ELECTRIC
Heat output		0.8kW - 1.6kW
Control		Thermostatic Remote & Manual Control
Suite	DLX Boticelli 600 Suite	CEULAVRE-RGB
Model Number	DLX Angelo 600 Suite	CEULLIRE-RGB
	DLX Pablo 600 Suite	CEULRSRE-RGB



DLX BOTICELLI 600 SUITE
 Designed to perfectly complement homes with traditional or modern styling. Featuring pilaster legs with plinths, rolled edge framed mantle, and hearth with step detail.



Eden Elite & Slimline BF Conventional & Balanced Flue Gas Fires

The Eden Elite showcases rustic natural effect logs with lively flames and burning embers aesthetics. This slimline conventional flue wall inset fire is designed to be easily installed into almost any chimney, and is operated by a thermostatic remote control system to perfectly control your level of warmth and comfort.

This luxury fire comes with a black enamel interior lining and can be fitted with or without a fascia. Our designer Panoramic Provence fascia, made from cast aluminium finished in matt black is a stunning new edition for this product. We also have a choice of two Slimline fascias available in a brushed satin silver, or matte black finish.

The balanced flue model is a perfect solution for homes designed without a chimney or flue. This model comes with a slimmer log style with equally attractive tall flames.

*A 240V mains electricity supply is required to power the remote control system (Balanced flue only).



CONVENTIONAL FLUE
MATTE BLACK FASCIA



SLIMLINE BALANCED FLUE
WITHOUT FASCIA



SLIMLINE BALANCED FLUE
BRUSHED SATIN SILVER FASCIA

SPECIFICATION	CONVENTIONAL FLUE	SLIMLINE BALANCED FLUE
	Natural Gas	Natural Gas
Useful energy efficiency	70.7%	85.6%
Energy efficiency class	E	C
Direct heat output	4.2kW	3.7kW
Flue	Brick Chimney or pre-fabricated flue	Horizontal
Control	Fully Automatic Remote with Thermostatic Control	
Model Number	MK2 - DEEELRN2	DBELEBRNB



Avignon Elite & Slimline BF Conventional & Balanced Flue Suites

This stunning fireplace suite comprises the classically styled Avignon surround in 54 and 58 inch wide versions, made from high quality natural Portuguese Limestone and includes the fabulous Eden Elite gas fire.

The conventional flue option features a stunningly realistic raised log fuel effect. It has an energy efficiency of 70.7% and impressive heat output of up to 4.2kW.

The slimline balanced flue option is suitable for installation into homes without a brick chimney or pre-fabricated flue and has an impressive energy efficiency of 85.6% and 3.7kW heat output.

Both models are lined with glossy black enamel interiors. Operated by a thermostatic remote control system, these fires can maintain a comfortable room temperature at the touch of a button.

*A 240V mains electricity supply is required to power the remote control system (Balanced flue only).



SLIMLINE BALANCED FLUE
54 INCH SUITE



SPECIFICATION	CONVENTIONAL FLUE		SLIMLINE BALANCED FLUE	
	Natural Gas		Natural Gas	
Useful energy efficiency	70.7%		85.6%	
Energy efficiency class	E		C	
Direct heat output	4.2kW		3.7kW	
Flue	Brick Chimney or pre-fabricated flue		Horizontal	
Control	Fully Automatic Remote with Thermostatic Control			
Suite Model Number	54" inch suite	MK2 - DELRNB890	58" inch suite	DBELEBRN722
		MK2 - DELRNB910		DBELEBRN779

SLIMLINE
BALANCED
FLUE



CONVENTIONAL
FLUE





Parada Elite Illumia & Slimline BF Conventional & Balanced Flue Suites

The Parada Elite suite features a stunning Portuguese Limestone surround complemented by integrated down lights and is available in both 54 and 58 inch wide versions.

Available in conventional flue and slimline balanced flue, each gas fire is lined with a glossy black enamel interior, and feature a stunningly realistic log fuel effect. The conventional flue model has larger chunky logs.

***A 240V mains electricity supply is required to power the remote control system (Balanced flue only).**



SLIMLINE BALANCED FLUE
54 INCH SUITE

SPECIFICATION		CONVENTIONAL FLUE	SLIMLINE BALANCED FLUE
		Natural Gas	
Useful energy efficiency		70.7%	85.6%
Energy efficiency class		E	C
Direct heat output		4.2kW	3.7kW
Flue		Brick Chimney or pre-fabricated flue	Horizontal
Control		Multifunctional Remote Control	
Suite Model Number	54" inch suite	MK2 - DELRN740	DBELEBRN740
	58" inch suite	MK2 - DELRN750	DBELEBRN750



CONVENTIONAL FLUE



SLIMLINE BALANCED FLUE





Carmelo Gas Fire

With its large size and enchanting flame picture the Carmelo HE hole in the wall balanced flue gas fire is certainly a show-stopper and it provides exceptional performance too.

If you're looking for luxury combined with exceptional heat output then the Carmelo HE is the ideal gas fire for you. With a viewing area measuring 1145mm along with an enchanting flame picture reflecting in its glossy black enamel interior, this hole in the wall balanced flue gas fire has a heat output of 6.4kW and 75.4% Useful energy efficiency, providing exceptional performance too.

What's more this fire can be installed almost anywhere in the home since it uses a balanced flue system with a choice of horizontal flue, vertical flue or chimney conversion flue kits available to choose from. Both log and white stone fuel effects are supplied with every fire.

*A 240V mains electricity supply is required to power the remote control system.

SPECIFICATION	BALANCED FLUE
	Natural Gas
Useful energy efficiency	75.4%
Energy efficiency class	E
Direct heat output	6.4kW
Flue	Horizontal and Vertical Kits and Chimney Conversion Kit available
Control	Fully Automatic Remote with Thermostatic Control
Model Number	DCML00RN2





CONVENTIONAL FLUE
DELUXE WHITE & STONE GREY INTERIOR
MM SIGNATURE FASCIA BLACK NICKEL & BLACK



BALANCED FLUE
BLACK ENAMEL INTERIOR
ULTIMO CHROME & BLACK TRIM
BAUHAUS 151 CHROME FRET

Passion HE & BF

Conventional & Balanced Flue Gas Fires

Combining efficiency and performance the Passion HE is a market leading gas fire with the authentic look and feel of a real burning logs. This glass fronted fire is designed with large frame wide-angle viewing displaying tall lively flames.

The conventional flue model interior is available in a choice of Deluxe white & stone grey, or glossy black enamel.

Our balanced flue model is a perfect solution for homes designed without a chimney or flue, and is available with a glossy black enamel interior.

For comfort and performance these fires are available with a fully automatic remote-control system. A slide control and a manual control system is also available with the conventional flue model.

Full accessory listings, including Spacer Frame see page 70-71

SPECIFICATION	CONVENTIONAL FLUE			BALANCED FLUE
	Natural Gas			
Control	Manual	Slide	Remote	Remote
Useful energy efficiency	81%	81%	81%	82.6%
Energy efficiency class	D	D	D	C
Direct heat output	3.1kW	3.0kW	3.1kW	2.4kW
Flue	Brick Chimney or pre-fabricated flue			Horizontal
Black Enamel	DLBLNRMN2	DLBLNRSN2	DLBLNRRN2	DLBFNRRNB
White & Stone Grey DLX Glass	DLBLNRMN2-NIWG	DLBLNRSN2-NIWG	DLBLNRRN2-NIWG	-



Passion HE & BF

Conventional & Balanced Flue Gas Fire Suites

Our Passion Suite combinations merge performance with luxury. The fire provides wide-angle viewing, showcasing superior log ceramics with bright tall flames set against a deep black enamel interior. For maximum comfort and control we have fitted a fully automatic thermostatic remote control system, for warmth and relaxation at the touch of a button.

A Trim and Fret option, for those who enjoy a more traditional fire setting, couples the highly stylish Signature Trim, with the exclusive Bauhaus 151 Fret.

A one-piece contemporary fascia choice is available with the uniquely designed MM Signature Fascia to creating even more luxury aesthetics between the fascia and the flames.

Three popular colour finishes are available in Black Nickel, Chrome, and Brass.



CONVENTIONAL FLUE IN LIMESTONE
CHROME SIGNATURE TRIM & BAUHAUS 151 FRET



BALANCED FLUE IN LIMESTONE
BRASS SIGNATURE TRIM & BAUHAUS 151 FRET

SPECIFICATION		CONVENTIONAL FLUE			BALANCED FLUE		
Natural Gas							
Control	Remote			Remote			
Useful energy efficiency	81%			82.6%			
Energy efficiency class	D			C			
Direct heat output	3.1kW			2.4kW			
Flue	Brick Chimney or pre-fabricated flue			Horizontal			
Finish	Black Nickel	Chrome	Brass	Black Nickel	Chrome	Brass	
Suite Model Number	Limestone & Black Granite	Fascia					
		DAGFBN	DAGFCH	DAGFBR			
		Trim & 151 Fret					
		DAGTBN	DAGTCH	DAGTBR			
Suite Model Number	Limestone	Fascia					
		DALFBN	DALFCH	DALFBR	DBLFBN	DBLFCH	DBLFBR
		Trim & 151 Fret					
		DALTBN	DALTCH	DALTBR	DBLTBN	DBLTCH	DBLTBR



Passion HE & Balanced Flue Accessories

Trims

STANDARD

Quality steel trims in a choice of four colours with a plated or painted finish.



Brass Chrome Satin Silver Matte Black

SIGNATURE

The Signature is a quality steel fabricated trim in a range of metallic and paint finishes.



Brass & Black Chrome & Black Satin Silver & Chrome Black Nickel & Chrome Black Nickel & Black

ULTIMO

The Ultimo is a cast iron trim with a black painted and optional colour plated finish.



Gold & Black Chrome & Black Black Nickel & Black

Frets

BAUHAUS 18"



Gold Chrome Satin Silver Black Nickel Matte Black

BAUHAUS 151



Gold Chrome Black Nickel



2 INCH SPACER FRAME

Compatible with Standard and Signature trims, Parrilla, and MM Signature fascias.
Not suitable with cast iron trims or fascias.

Fascias

MM SIGNATURE

Steel fabricated with five colour options.



Brass & Black Chrome & Black Satin Silver & Chrome Black Nickel & Chrome Black Nickel & Black

PARRILLA

Steel fabricated with a choice of three brushed satin metallic finishes.



Champagne Silver Black

ULTIMO 007

Cast iron black with a choice of colour plated finish.



Gold & Black Chrome & Black Black Nickel & Black

EMBRACE

Cast iron matt black with a choice of colour plated finish.



Gold & Black Chrome & Black Black Nickel & Black

CAESAR

Cast iron matt black finish.



Black

ARCADIA

Cast iron matt black with a choice of colour plated finish.



Black & Gold Black & Chrome

PROVENCE

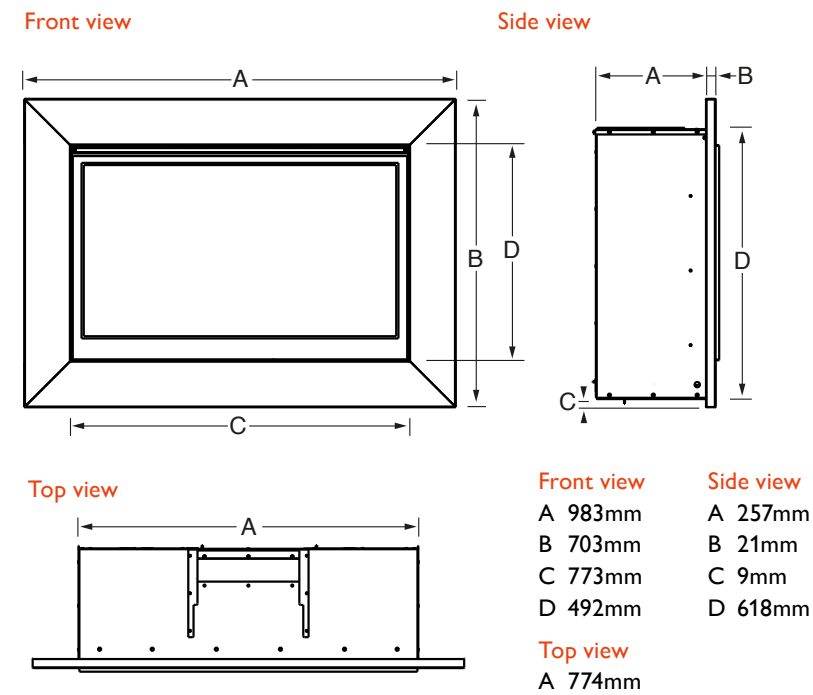
Cast iron matt black finish.



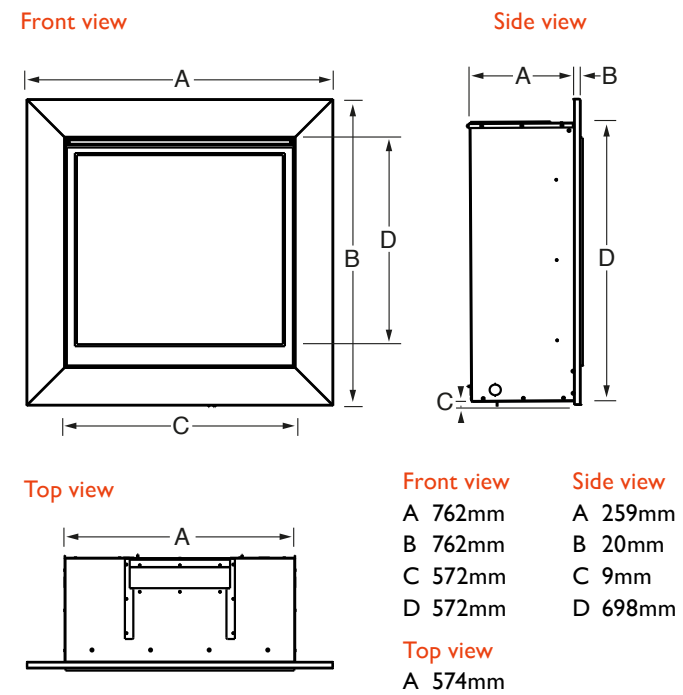
Available with or without Grate Bar.
Remote, and Slide control only.

Gas Fire Dimensions

ALEESIA

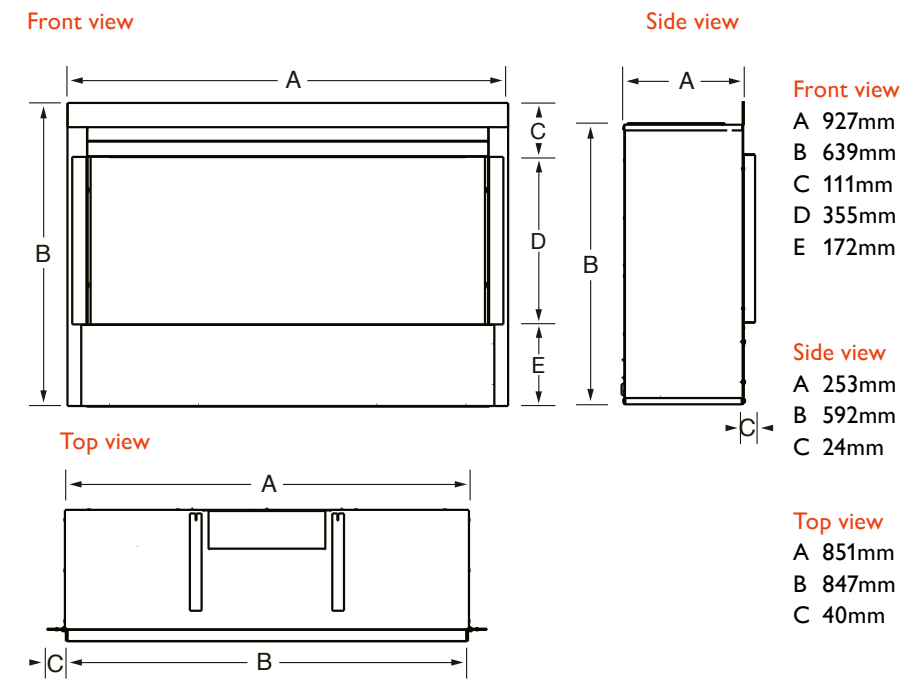


ASENCIO

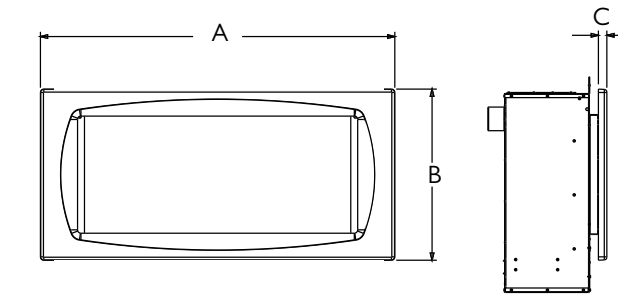


Gas Fire Dimensions

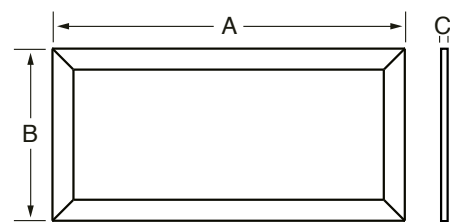
EDEN ELITE



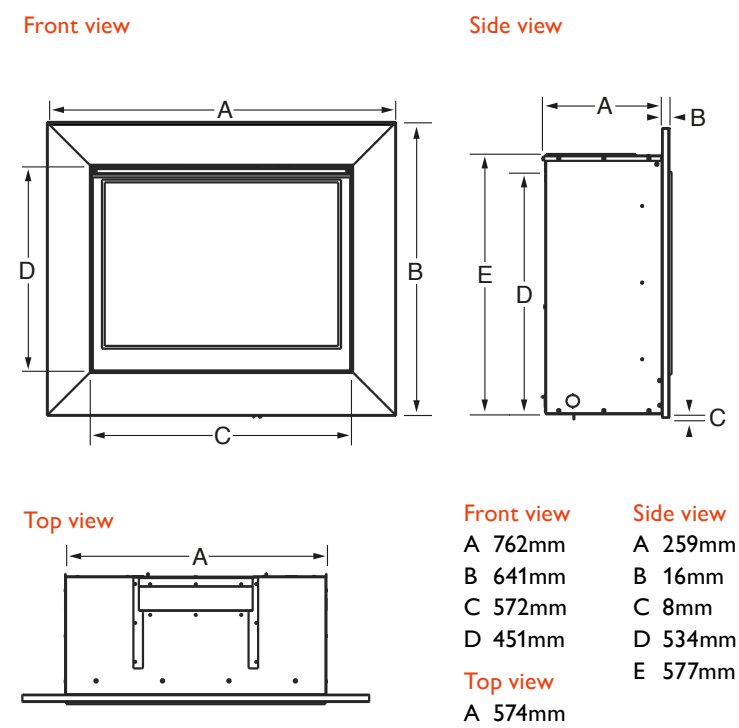
**Panoramic
 Provence
 Fascia**
 A 1050mm
 B 507mm
 C 25mm



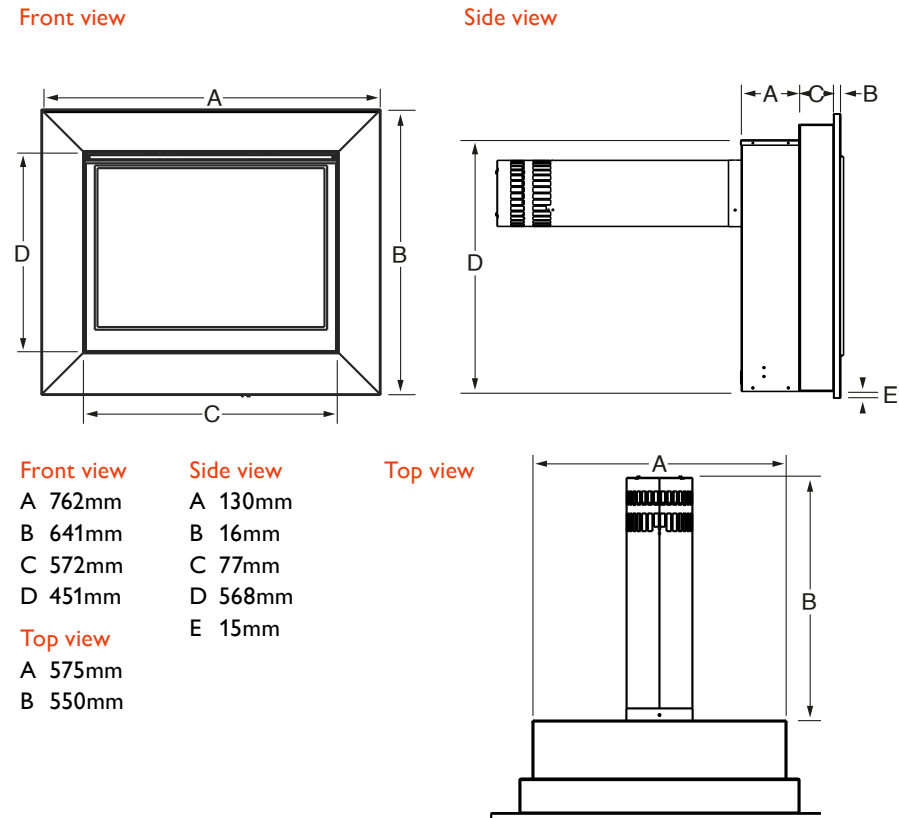
Slimline Fascia
 A 940mm
 B 459mm
 C 17mm



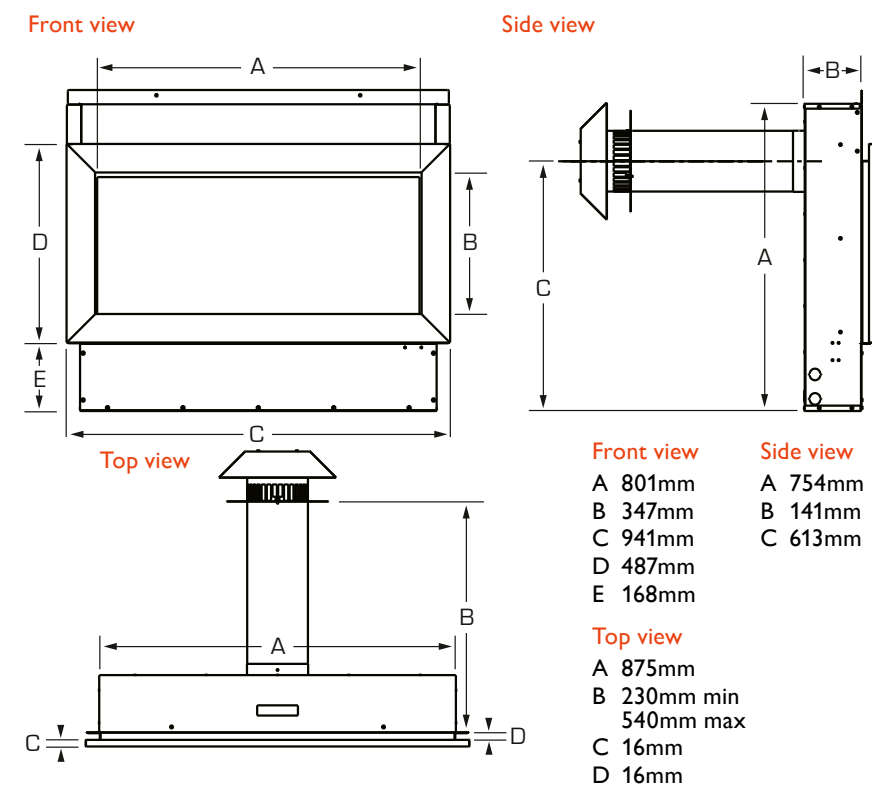
CELENA



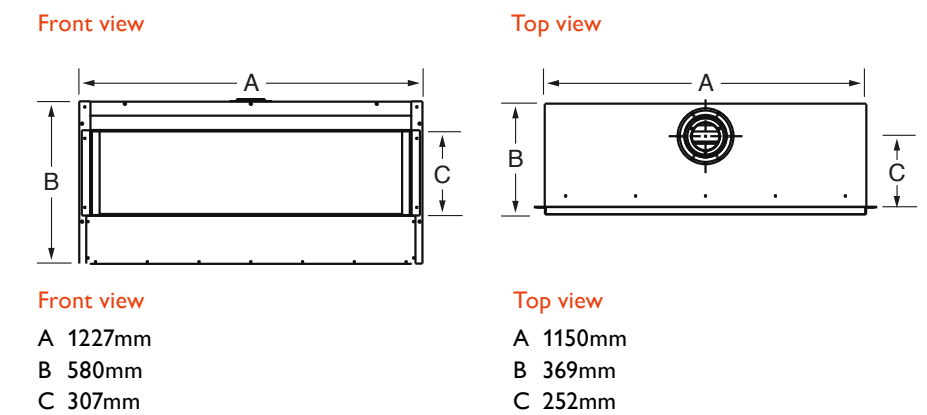
CELENA SLIMLINE BALANCED FLUE



EDEN ELITE SLIMLINE BALANCED FLUE



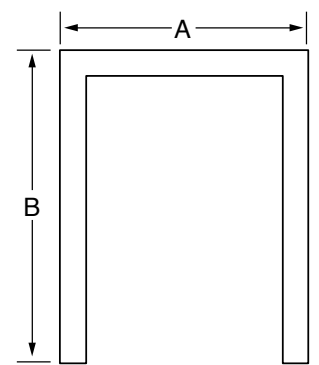
CARMELO HE



Gas Fire Dimensions

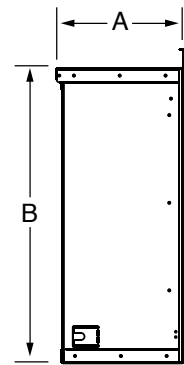
PASSION HE

Front view

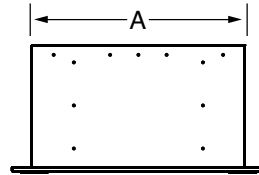


Front A & B refer to Standard trim only

Side view



Top view

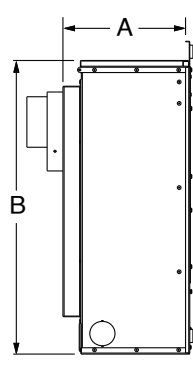


Front view
A 497mm
B 598mm
Top view
A 400mm

Side view
A 253mm
B 547mm

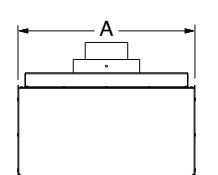
PASSION BALANCED FLUE

Side view



Front A & B refer to Standard trim only
Standard flue and terminal included 333mm Min - 661mm Max.
Optional extended flue 1055mm Max
Optional spacer frame 50mm

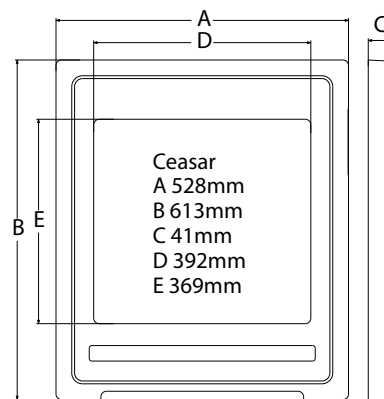
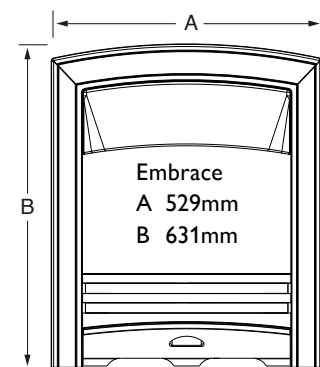
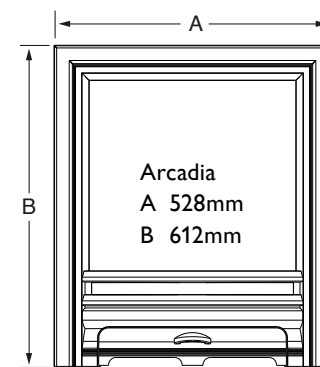
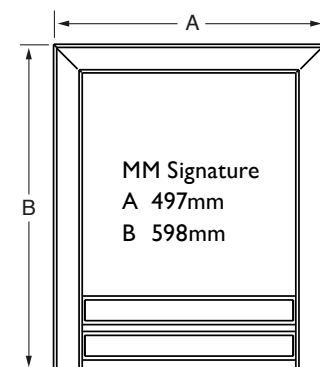
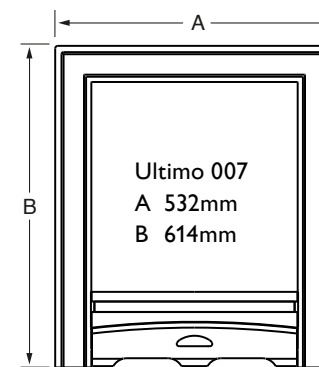
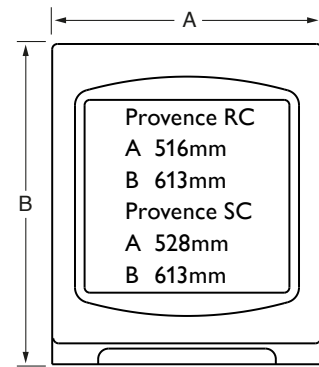
Top view



Front view
A 233mm
B 598mm
Top view
A 400mm

Side view
A 233mm
B 558mm

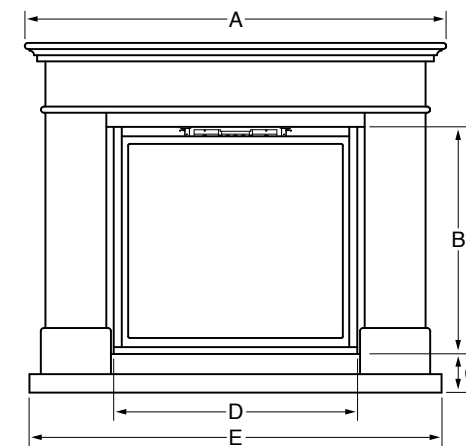
Fascias



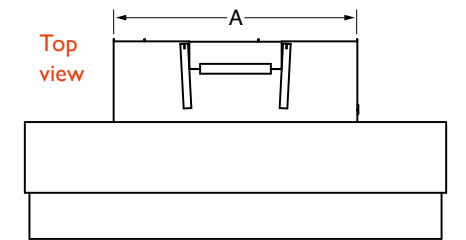
Gas Suite Dimensions

DA VINCI ILLUMIA MD

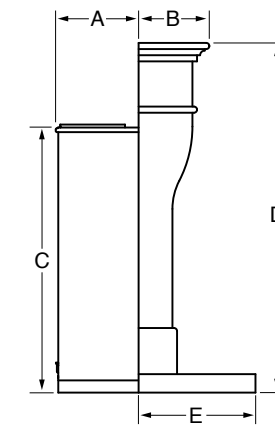
Front view



Top view



Side view

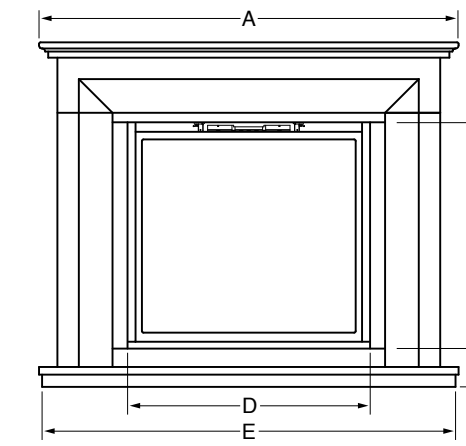


Front view
A 1370mm
B 739mm
C 126mm
D 792mm
E 1340mm
Top view
A 790mm

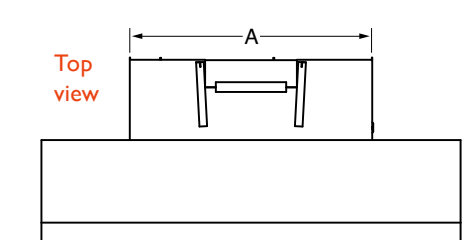
Side view
A 267mm
B 230mm
C 865mm
D 1137mm
E 380mm

MONET ILLUMIA MD

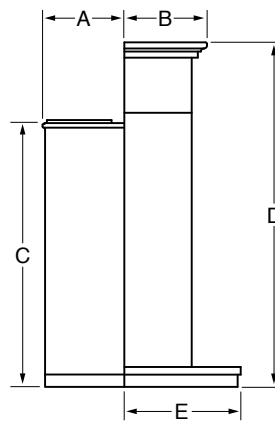
Front view



Top view



Side view

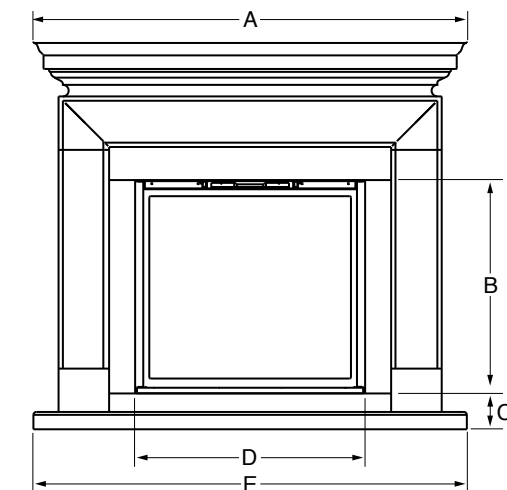


Front view
A 1370mm
B 739mm
C 126mm
D 792mm
E 1370mm
Top view
A 793mm

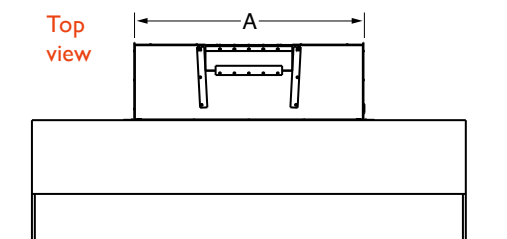
Side view
A 267mm
B 270mm
C 865mm
D 1125mm
E 380mm

GIULIANO ILLUMIA MD

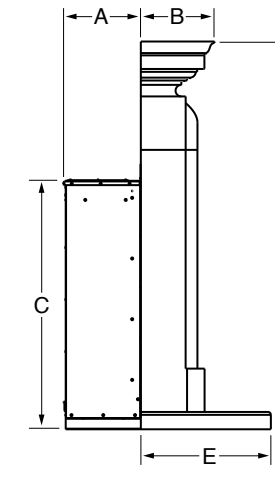
Front view



Top view



Side view

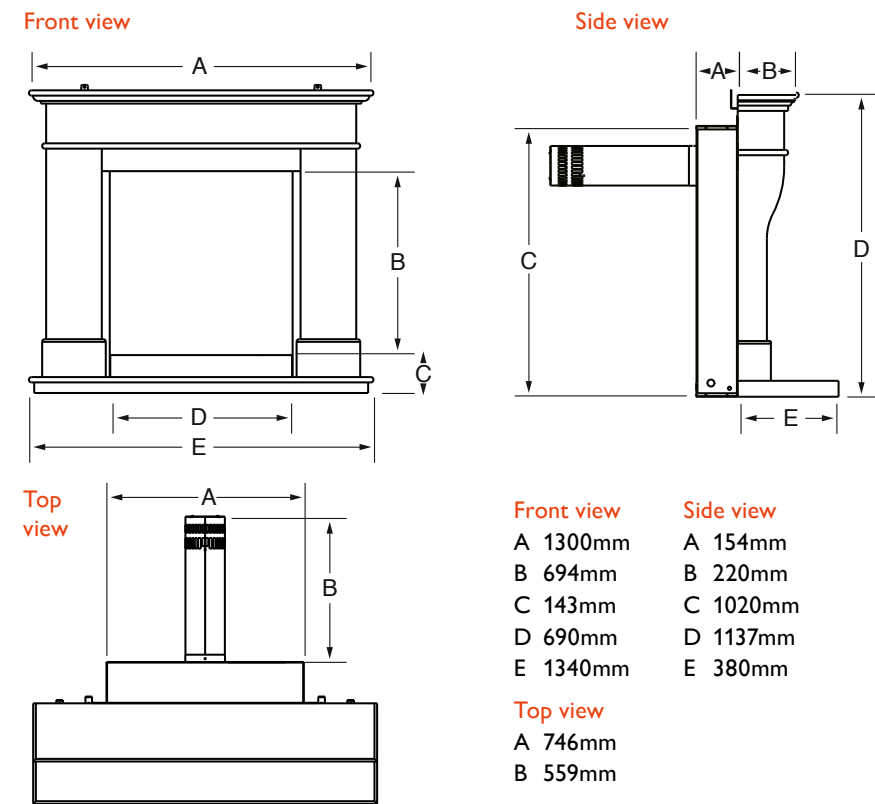


Front view
A 1500mm
B 739mm
C 125mm
D 792mm
E 1500mm
Top view
A 793mm

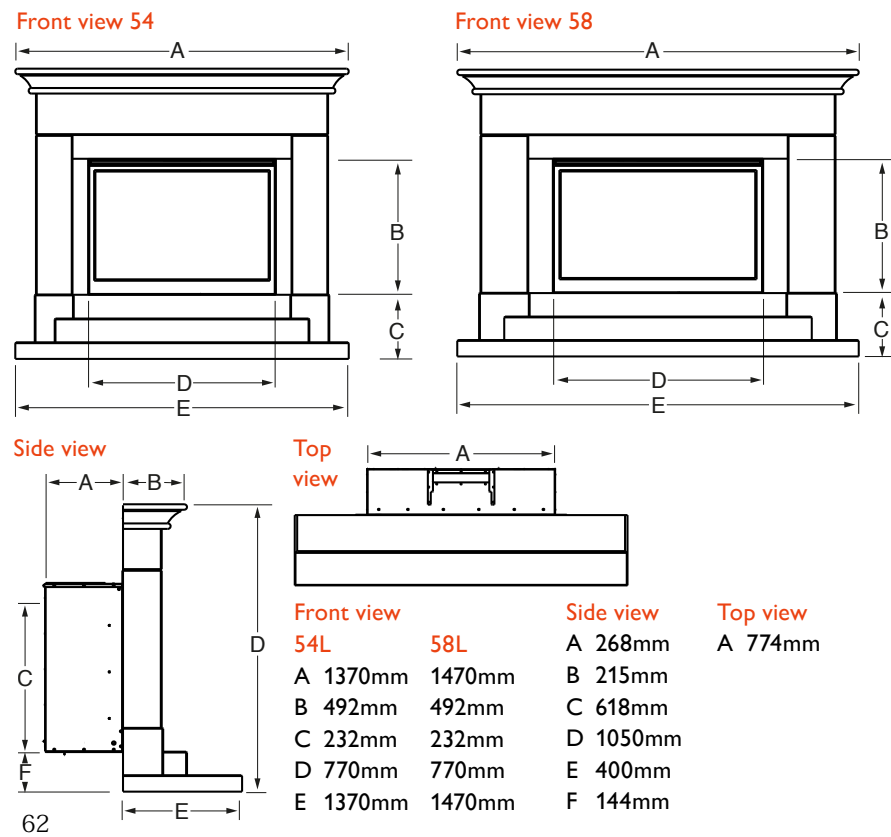
Side view
A 267mm
B 255mm
C 865mm
D 1342mm
E 450mm

Gas Suite Dimensions

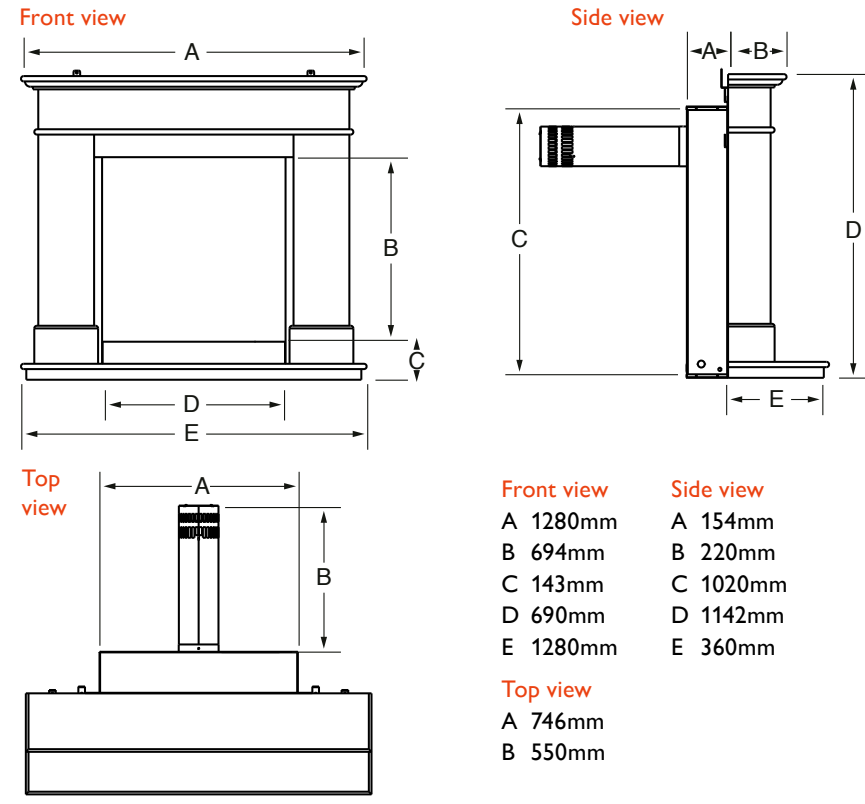
DA VINCI ILLUMIA SLIMLINE BALANCED FLUE



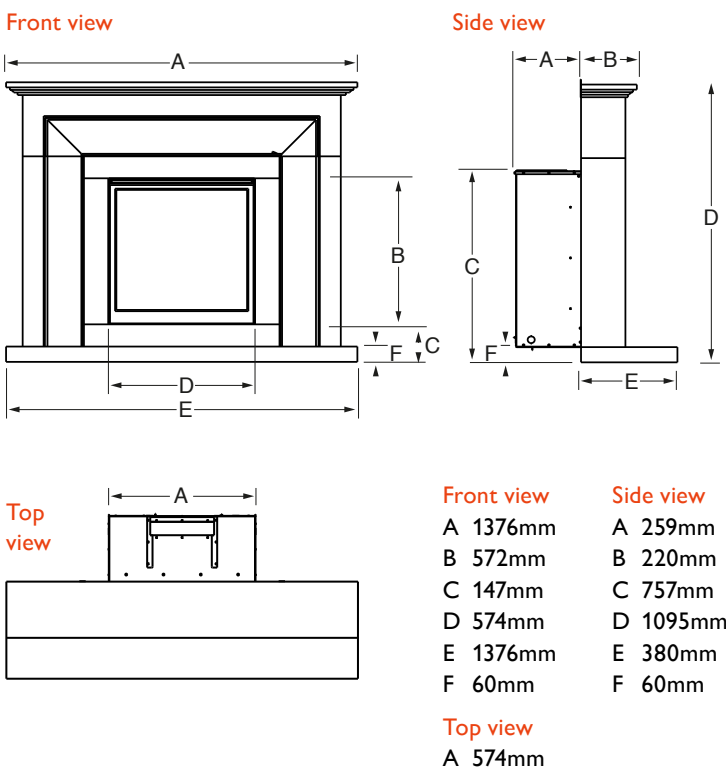
ALEESIA ILLUMIA 54 & 58



BOTICELLI ILLUMIA SLIMLINE BALANCED FLUE

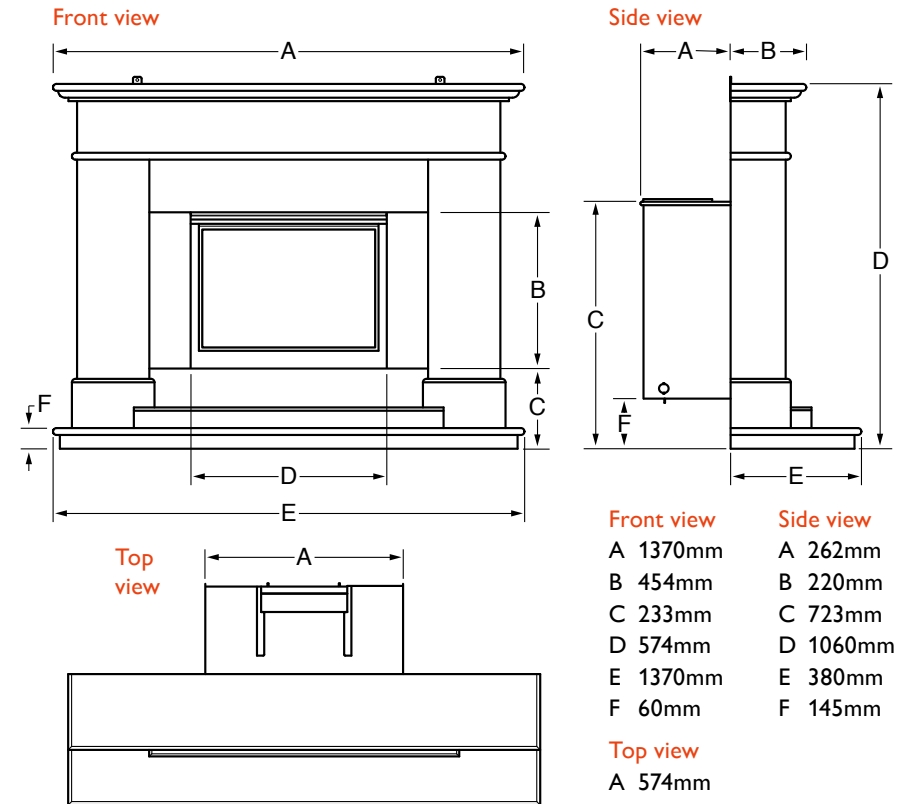


ASENCIO

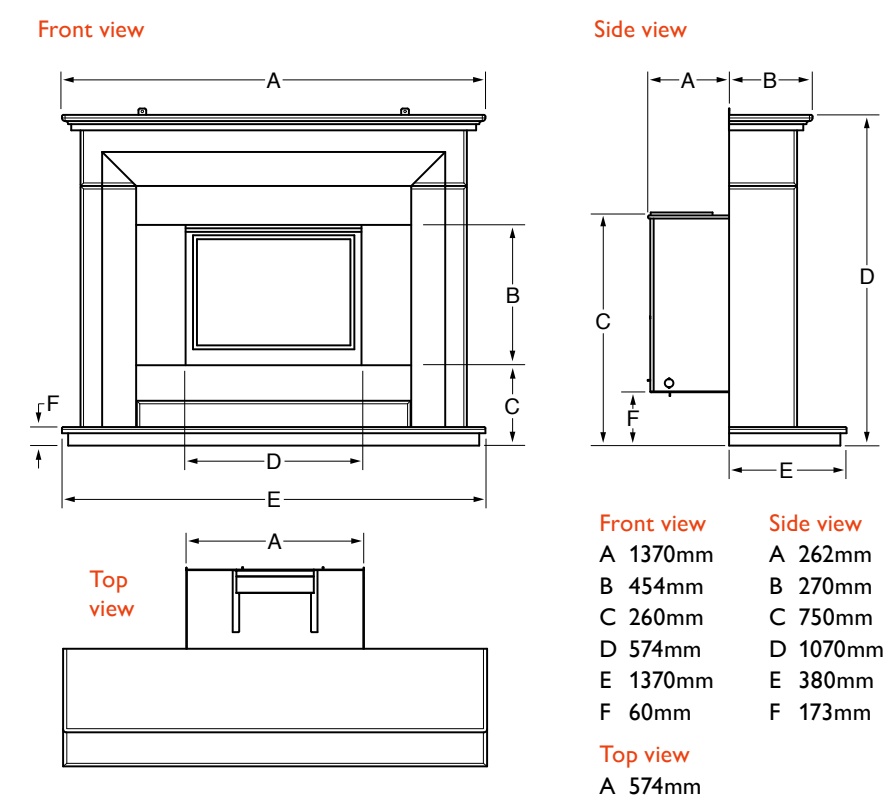


Gas Suite Dimensions

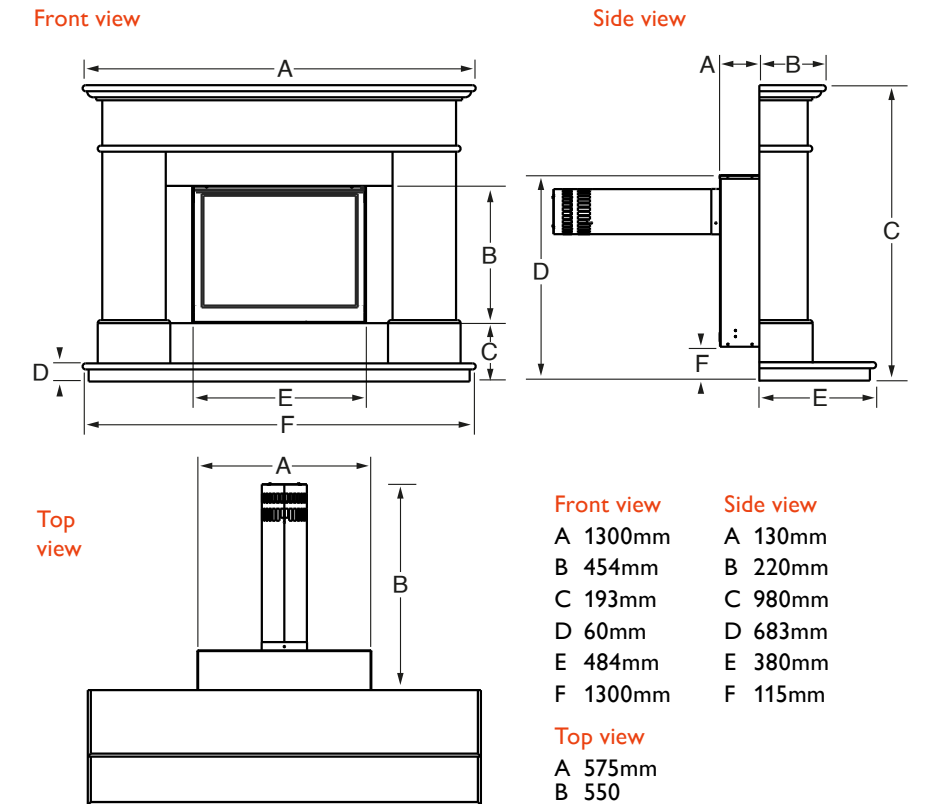
BOTICELLI CELENA



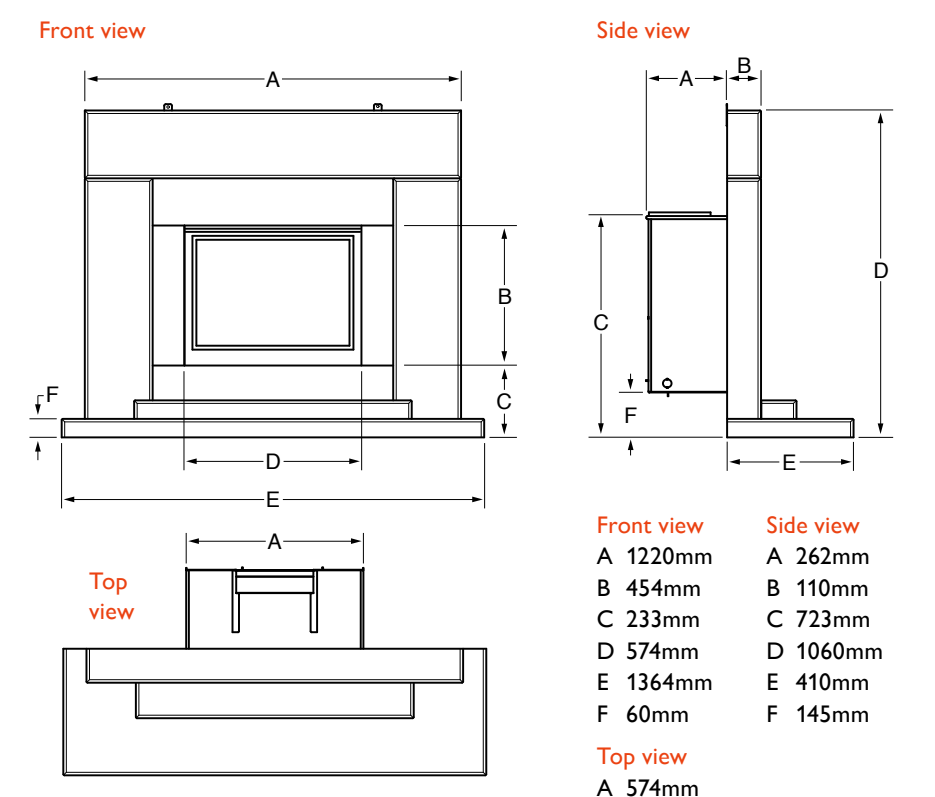
ANGELO CELENA



BOTICELLI CELENA SLIMLINE BALANCED FLUE



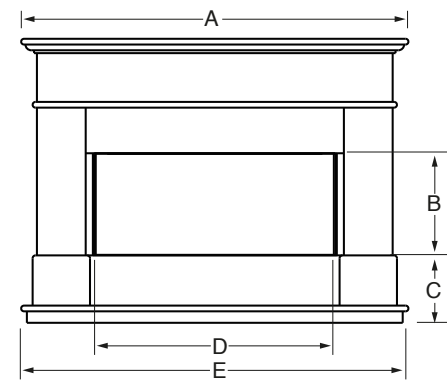
PABLO CELENA



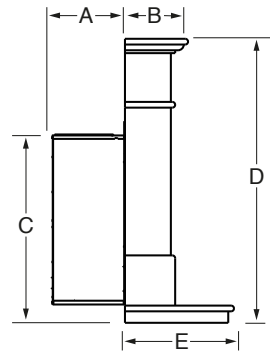
Gas Suite Dimensions

AVIGNON EDEN ELITE 54 & 58

Front view

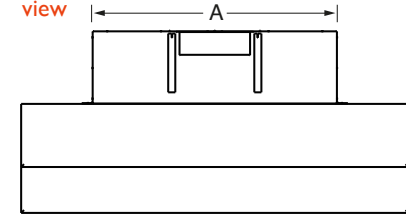


Side view



	54"	58"
A	1350mm	1464mm
B	356mm	356mm
C	235mm	235mm
D	849mm	849mm
E	1350mm	1464mm

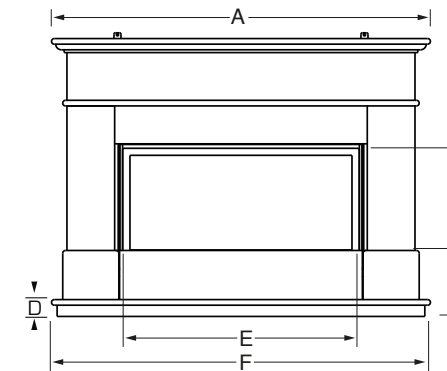
Top view



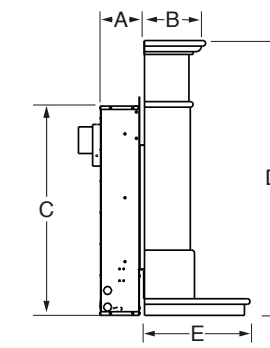
Side view	Top view
A 254mm	A 851mm
B 220mm	
C 657mm	
D 990mm	
E 380mm	

AVIGNON EDEN ELITE SLIMLINE BALANCED FLUE 54 & 58

Front view

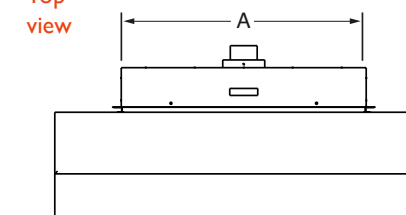


Side view



	54"	58"
A	1330mm	1464mm
B	380mm	380mm
C	175mm	175mm
D	60mm	60mm
E	870mm	870mm
F	1330mm	1330mm

Top view

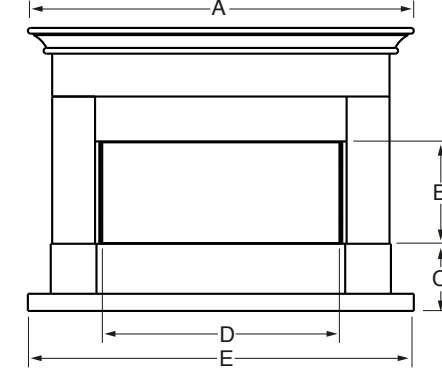


Side view	Top view
A 158mm	A 875mm
B 220mm	
C 990mm	
D 754mm	
E 380mm	

Gas Suite Dimensions

PARADA ELITE ILLUMIA 54 & 58

Front view 54

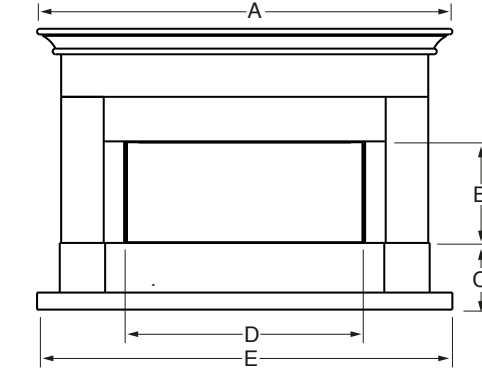


Front view

54L

A	1350mm
B	358mm
C	235mm
D	849mm
E	1350mm

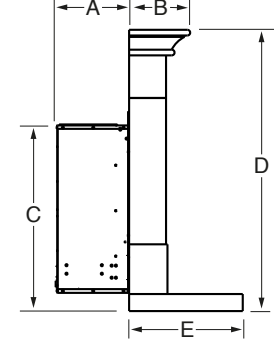
Front view 58



58L

A	1464mm
B	358mm
C	235mm
D	849mm
E	1464mm

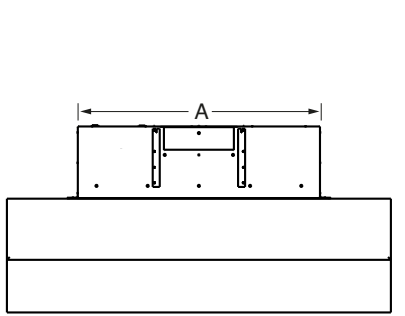
Side view



Side view

A	254mm
B	215mm
C	657mm
D	990mm
E	400mm

Top view

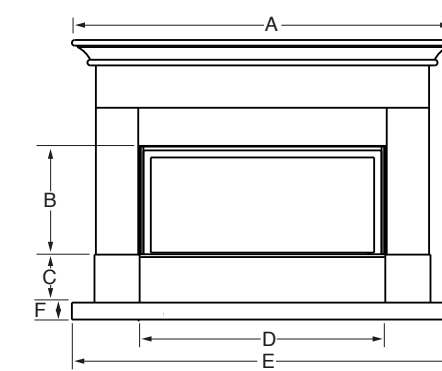


Top view

A	851mm
---	-------

PARADA ELITE ILLUMIA SLIMLINE BALANCED FLUE 54 & 58

Front view 54

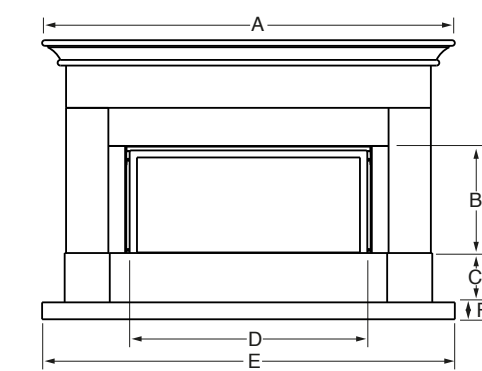


Front view

54

A	1350mm
B	380mm
C	175mm
D	861mm
E	1350mm
F	60mm

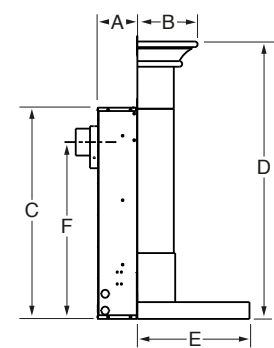
Front view 58



58

A	1464mm
B	380mm
C	175mm
D	861mm
E	1464mm
F	60mm

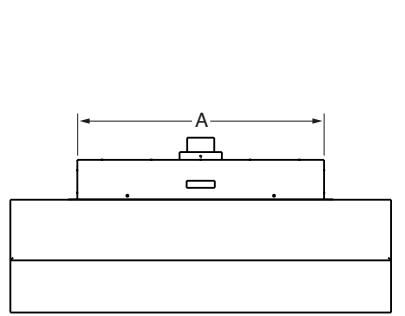
Side view



Side view

A	141mm
B	215mm
C	754mm
D	990mm
E	400mm
F	631mm

Top view

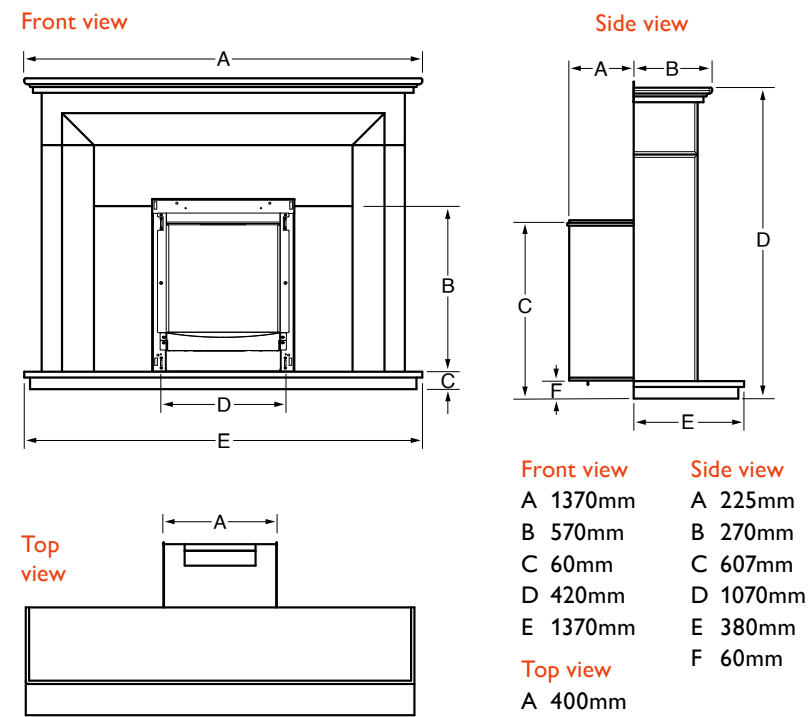


Top view

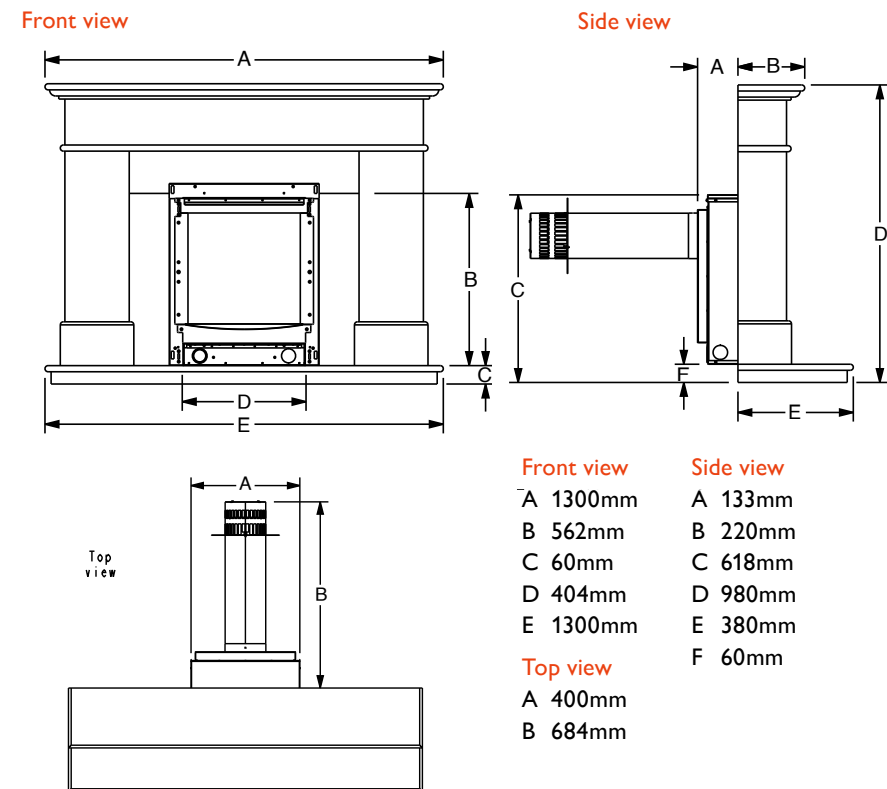
A	875mm
---	-------

Gas Suite Dimensions

PASSION HE CONVENTIONAL FLUE



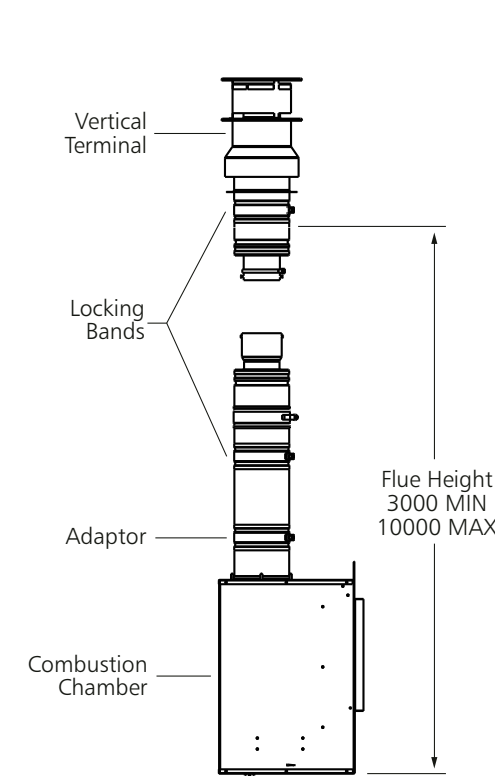
PASSION BALANCED FLUE



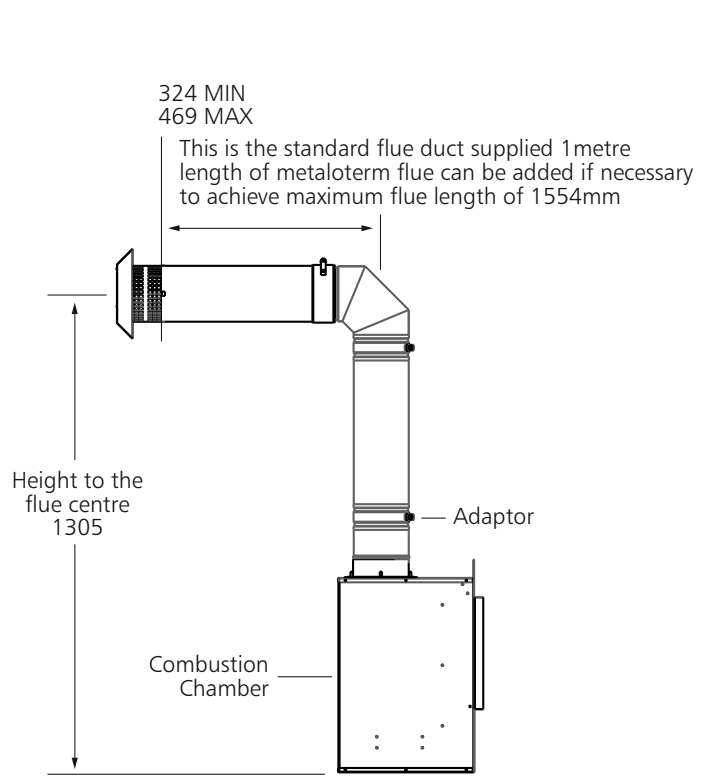
Balanced Flue Installations

CARMELO

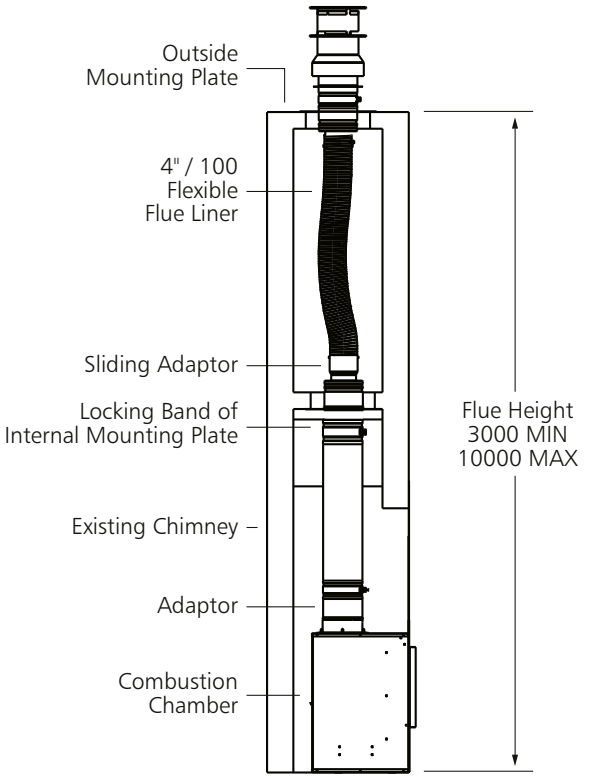
Vertical balanced flue installation



Horizontal balanced flue installation

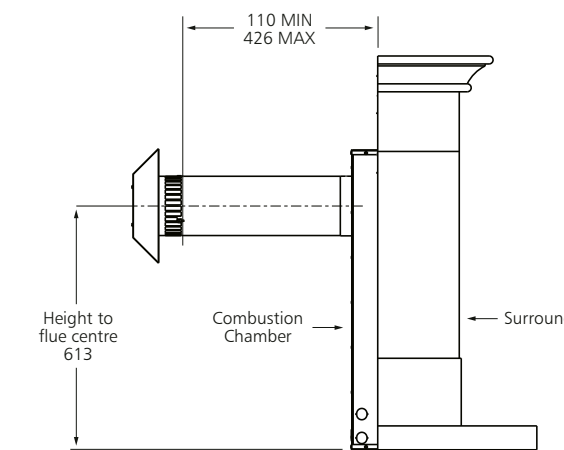


Chimney conversion balanced flue kit



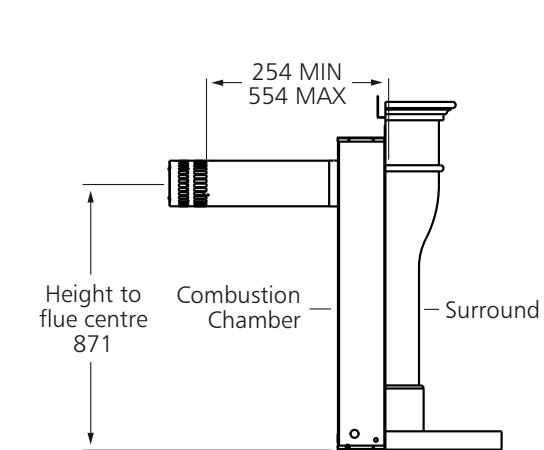
PARADA ELITE ILLUMIA SLIMLINE

Horizontal balanced flue installation



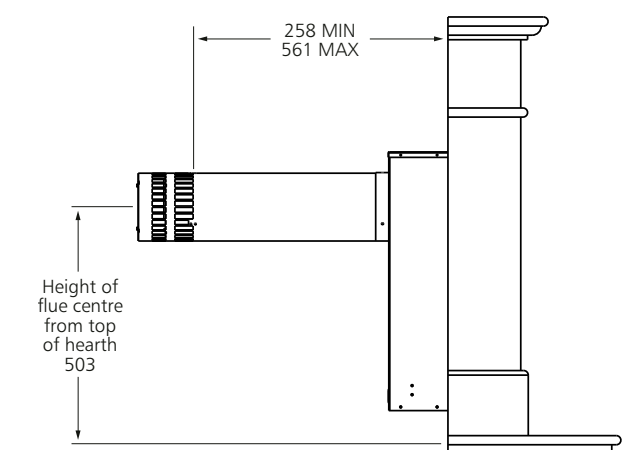
BOTICELLI & DA VINCI ILLUMIA SLIMLINE

Horizontal balanced flue installation



BOTICELLI CELENA SLIMLINE

Horizontal balanced flue installation

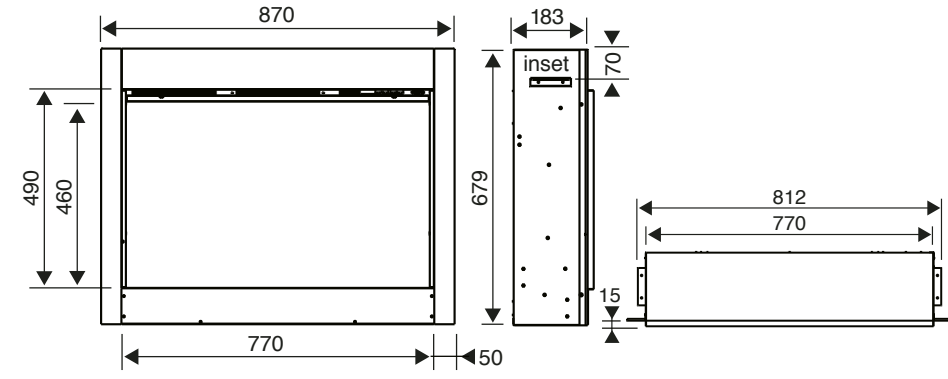


Chimney conversion balanced flue kit

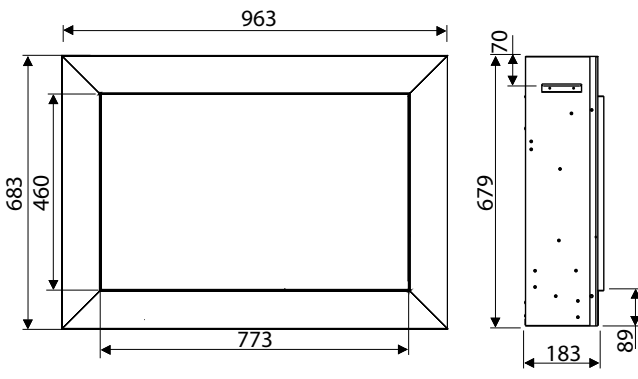
The existing chimney must have a minimum cross-sectional area of 22,500mm² to provide sufficient air flow to fit the chimney conversion kit.

Electric Fire Dimensions

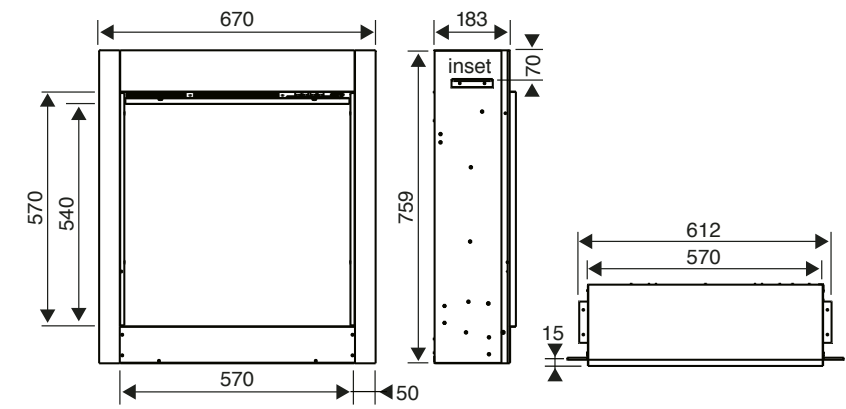
DLX 750



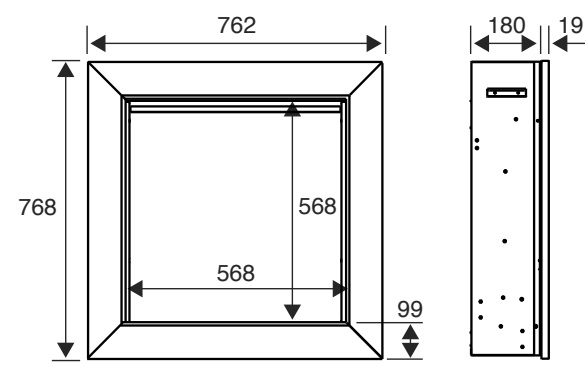
DLX 750 VADER



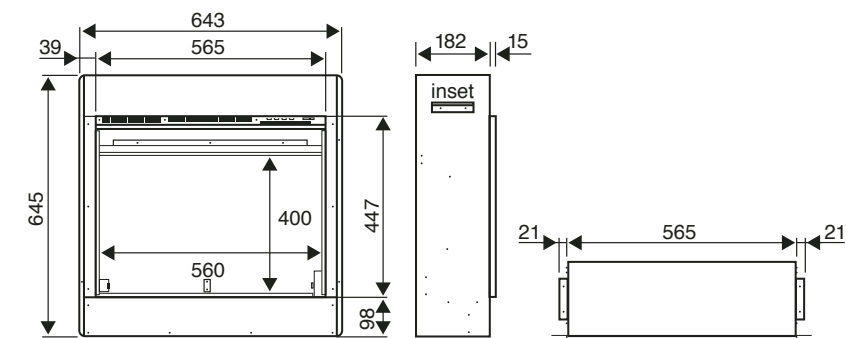
DLX 600XT



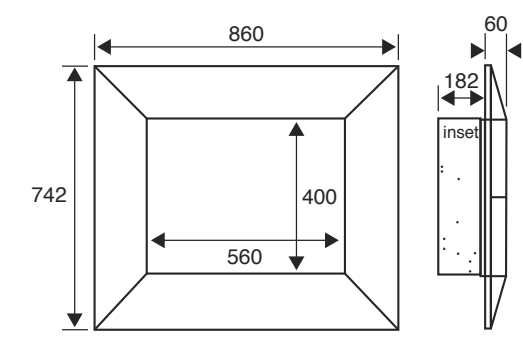
DLX 600XT EVORA



DLX 600

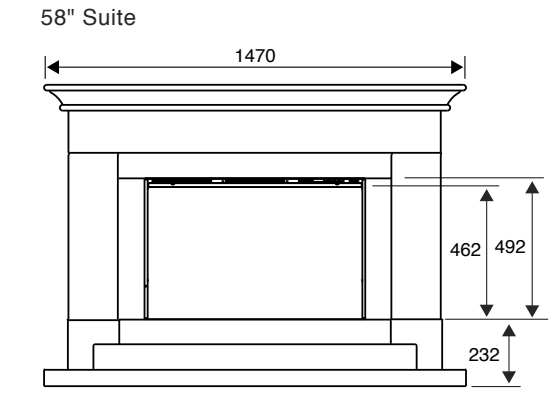
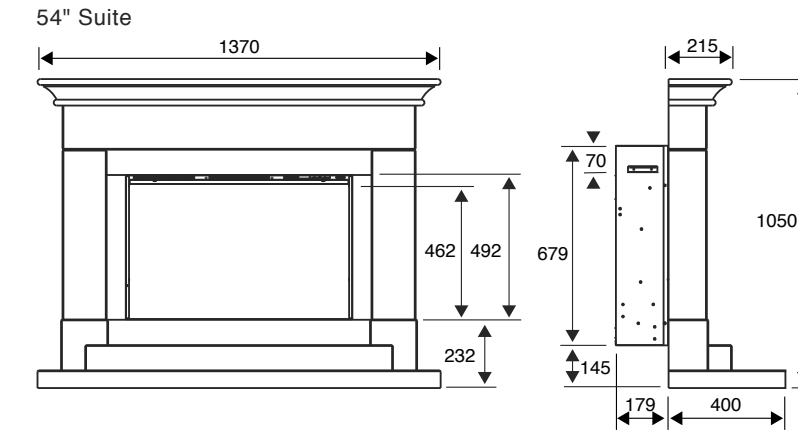


DLX 600 IMPULSE

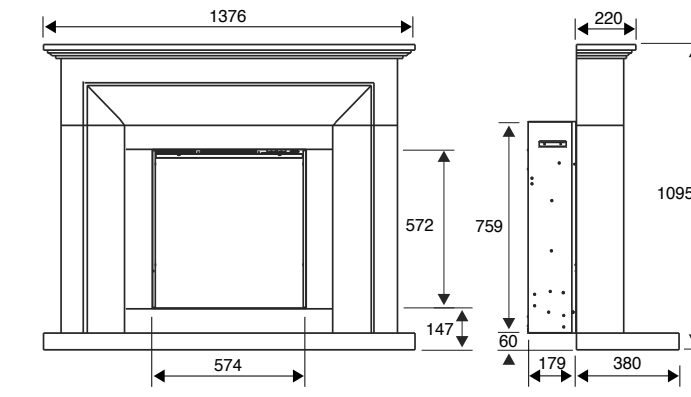


Electric Suite Dimensions

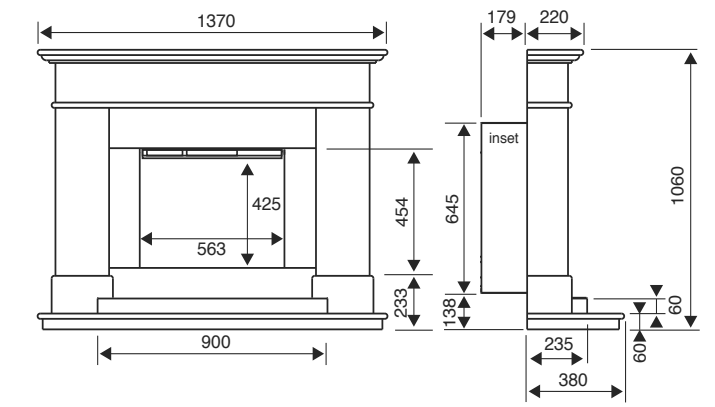
DLX ALEESIA 750



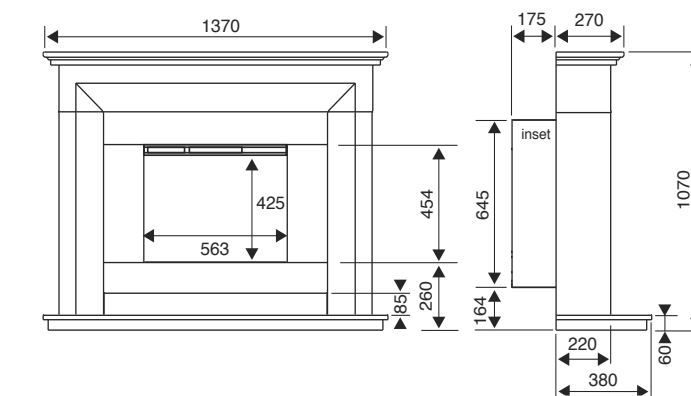
DLX ASECIO 600XT



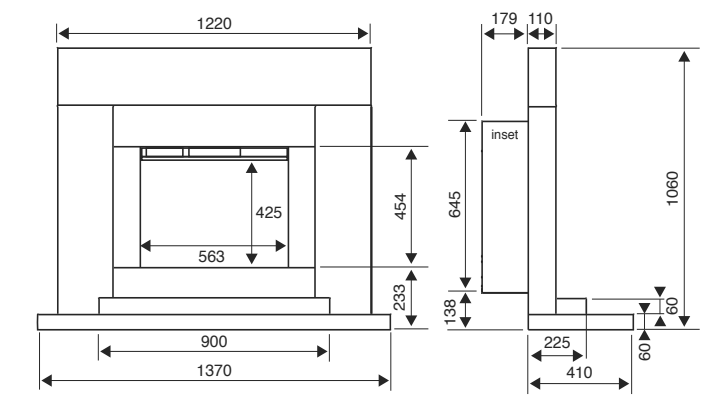
DLX BOTICELLI 600



DLX ANGELO 600



DLX PABLO 600





Online inspiration & information

Tap into a wealth of knowledge and discover everything you need to know about purchasing, fitting & servicing your fire.

Use our intelligent search tools to find your perfect fire

Find your nearest approved The Collection stockist

Download installation and user manuals

Register your warranty

Watch videos of our stunning fires



www.thecollectiongasfires.co.uk
www.celsielectricfires.co.uk

WARNING

BFM Europe Limited is a Gas Safe Registered company. We recommend that all of our fires are installed by Gas Safe Registered engineers in accordance with our instructions.

DISCLAIMER

Our policy is one of constant development and improvement. We therefore reserve the right to revise designs and specifications of our products without formal notice, patents pending. We always recommend our products be viewed in an approved showroom before purchase.

Whilst we have taken every care in the preparation of this brochure it is not intended to replace the installation manual which provides more detailed information.

Photography is for illustration purposes only and although every effort has been made to ensure accurate reproduction of typical installations and flame pictures they may vary according to fire model and flue types.

We accept no liability for any loss or damage arising directly or indirectly from the use of this brochure. We recommend that all our fires are used in conjunction with central heating and not as a primary source of heat. In the interests of personal safety a suitable fireguard is recommended when children, the elderly and the infirm are present.

This brochure must not be reproduced in whole or in any part without prior written permission.

