



CELSI 
...the future of fire



PREMIUM ELECTRIC FIRES COLLECTION 2024/25





WELCOME TO CELSI

At Celsi we know how important it is to create a stylish and relaxing living environment. That's why we've developed this collection of premium electric fires.

I believe our success stems from a combination of innovative design, investment in technology and the highest quality manufacturing standards. To reflect my belief in their quality and durability, Celsi fires carry a minimum of 3 years warranty, subject to terms and conditions.

This brochure has been designed to make the purchase of your new Celsi heater as simple as possible. I hope you find it both informative and inspiring.

There is no more versatile fuel for home heating than electricity

With a range that includes beautifully crafted electric suites, feature wall smart fires, classically styled hearth inset fires, and contemporary stove designs, there is a Celsi fire to suit any home. Best of all you are free to enjoy any of these fantastic heating appliances in any room in your home simply by plugging into the nearest mains socket.

To learn more about the features and benefits of owning a Celsi electric fire please sit back and take a few moments to look through our Advanced Features section, along with our technology introduction to assist you in choosing your perfect Celsi fire experience.

ADVANCED FEATURES



THERMOSTATIC HEATING
Pre-set your heat comfort level for automatic temperature control via the handset.



TIMER FUNCTION
Programmable 7-day heating timer with hourly on/off control. Up to 8 hrs sleep timer facility available on some models.



LED EFFICIENCY
Flame picture, fuel bed brightness, mood lighting, our onboard LED's ensure effective energy saving low power consumption.



ISOFLAME
Independent flame effect capable of displaying in isolation when no heat is required from the appliance.



REAL WOOD
100% Real Wood Logs, natural, authentic, and unique. Accept no imitations!



FLAME FUSION
A captivating fusion of soft and natural yellow flames with an attractive flare of blue flame intensity.



COLOUR CYCLE
Fix your favourite or go dynamic as you cycle through an array of impressive colour changing options.



COLOUR SMART
16 colour vibrant presets with 100+ options to customise the light ambience on flames, logs, and ember beds.



MOOD LIGHTS
An ambient stream of colour-rich LED back lighting. Colours to compliment warm and cool interiors, or simply to suit your mood.



CELSI SMART APP
Control your Smart fire or stove from your phone or tablet with full handset functionality. Voice control Alexa and Google Assistant compatible.



Scan QR code to download app.



Visit App Store or Google Play Store



3 year warranty subject to terms and conditions. Fire Surrounds and Fascias are subject to 12 months warranty.



Compliance with Electrical Energy Rated Product (ERP) Integrated design features for optimal energy saving performance and assurance.



Conformity assessed and certified UK & EU

SMART FUNCTIONALITY

CELSI
SMART

ELECTRIFLAME VR / ULTIPLAME VR / HOLOGRAM*3D

Our cutting-edge smart technology is now available across a diverse range of product categories, including 3-sided built-in fires, elegant Limestone and Premier board suites, as well as sophisticated wall inset fires and stoves. These electric models boast exceptional functionality and control, and their visual appeal is truly impressive. Best of all, they are user-friendly and efficient.



COLOUR

Enjoy 16 pre-set ambient colour modes, and over 100+ multi colour combinations to customise the light ambience on flames, logs, and ember beds. To simplify your choice why not relax with a slow cycle through the colour spectrum in our fully immersive Animation mode.



Controllable LED lights positioned above, beneath, and behind the fuelbed creates an illusion of hot embers, burning logs, and tall ascending flames that deliver a real fire experience. These lights operate with 16 preset colour selections, advanced automatic hue cycle, or custom interactive personal choice from 100+ colour preference on flames, logs, and ember bed.



CONNECTIVITY

Get connected with our feature-rich and simple to operate smart app. Available to download on the App Store, or get in on Google Play!



Scan the QR code to download our app



CONTROL

Control your fire from your smart phone or tablet with full handset functionality. Further applied smart technology allows you to voice control your fire using Amazon Alexa and Google Assistant.



Applied smart technology allows you to voice control your fire using Amazon Alexa and Google Assistant.

CONFIGURATION

Our range of built-in 3-sided glass models offer the perfect solution for your feature wall. Available in three sizes 1000, 1250, and 1600mm.

E-VR Commodus Smart fires are supplied with side blanking panels giving you the option to customise your installation by converting from a **3-sided** fire, to a **2-sided** left or right configuration, or to simply install as a **single glass fronted** wall inset fire.



E-VR Commodus 3-sided glass smart fires. Pages 52 - 57



SUITES



BUILT-IN & WALL FIRES



HEARTH FIRES



STOVES

Media Wall Suites

| | |
|------------------------------|------|
| Media Wall S1600/S1250/S1000 | 8-11 |
|------------------------------|------|

Freestanding Suites - 3 sided

| | |
|---------------------|-------|
| Sinatra S1250/S1000 | 12-13 |
| Quantum S1250/S1000 | 14-15 |
| Casino S1250/S1000 | 16-17 |
| Media 750 | 18 |
| Carino 750 | 19 |

Freestanding Suites

| | |
|-------------------------|-------|
| Toronto 800/S600 | 20-23 |
| Orbital 1000/800 | 24-26 |
| Vega 800 | 27 |
| Luminaire 800/S600 | 28-29 |
| Skyfall 800/S600 | 30-33 |
| Adour 800/Adour S750 | 34-35 |
| Adour S600XT/Adour S600 | 36-37 |
| Canelo S600 | 38 |
| Elara S600 | 39 |

Limestone Suites

| | |
|-------------------|----|
| Parada Elite 800 | 40 |
| Avignon Elite 800 | 41 |
| Aleesia S750 | 42 |
| Asencio S600XT | 43 |
| Angelo S600 | 44 |
| Boticelli S600 | 45 |
| Pablo S600 | 46 |

Wall Suites

| | |
|----------------------|-------|
| Volare 750 | 47 |
| Rosetta S1250/S1000 | 48-49 |
| Firebeam 800XL/800 | 50-51 |
| Firebeam S600XL/S600 | 52-53 |

Built-In Fires

| | |
|----------------|-------|
| Commodus S1600 | 54-55 |
| Commodus S1250 | 56-57 |
| Commodus S1000 | 58-59 |
| 1400 | 60 |
| 750 | 61 |

Wall Inset Fires

| | |
|-----------------------------|-------|
| Vichy 800 | 62 |
| Metz 800/Elite 800 | 63 |
| Instinct 800 | 64 |
| Evora S600XT/Asencio S600XT | 65 |
| Vader S750/Aleesia S750 | 66-67 |
| Celena S600 | 68 |
| Impulse S600 | 69 |

Wall Mounted Fires

| | |
|-----------------|-------|
| Prestige | 70-71 |
| Travertine | 72 |
| Royal Botticino | 73 |
| Rapture | 74 |
| Enchant | 75 |

Hearth Inset Fires

| | |
|--------------|-------|
| Acero | 76-77 |
| Parrilla | 78-79 |
| Arcadia | 80 |
| Decadence | 81 |
| Camber | 82 |
| Frontier | 83 |
| Essence | 84 |
| Designer | 85 |
| Endura | 86 |
| Contemporary | 87 |

Stoves

| | |
|----------------------|---------|
| H3D Hologram Genesis | 88-89 |
| Spectre | 90-91 |
| Stratford | 92-93 |
| Rochester | 94-95 |
| Arundel | 96 |
| Luxima | 97 |
| Metal 1 & 2 | 98-99 |
| Glass 1 & 2 | 100-101 |

| | |
|-------------------|----------------|
| Dimensions | 102-113 |
|-------------------|----------------|



White & Acoustic Oak



Video

Specification

| | |
|----------------------|---|
| Suite Dimensions: mm | S1600: H 2200 x W 1800 x D360 |
| Heat Output | 0.8kW – 1.6kW |
| Suite Finish | |
| Premium Board | Smooth White & Acoustic Oak EFVR16RE-MWW |
| Model Number | Cupria Slate EFVR16RE-MWG |



MEDIA WALL S1600

Electrifiame VR Media Wall Suites

Features

- Flame Projection Technology
- 3 sided glass smart fire
- Customisable fuel effect
- Woodland & Silver birch log effect
- Crystal ash embers
- 16 pre-set colours/100+ custom/Animation mode
- LED brightness control
- Thermostatic remote & manual control operation
- Amazon Alexa and Google Assistant compatible
- Suitable for TV size up to 65 inches (TV not included)



CELSI SMART APP

Feature-rich and simple to operate. Control your fire from your smart phone or tablet with full handset functionality.



Cupria Slate



Video



S1250 - Cupria Slate

MEDIA WALL S1250/S1000

Electriflame VR Media Wall Suites

Features

- Flame Projection Technology
- 3 sided glass smart fire
- Customisable fuel effect
- Woodland & Silver birch log effect
- Crystal ash embers
- 16 pre-set colours/100+ custom/Animation mode
- LED brightness control
- Thermostatic remote & manual control operation
- Amazon Alexa and Google Assistant compatible
- S1250 - Suitable for TV size up to 55 inches
- S1000 - Suitable for TV size up to 50 inches (TV not included)



CELSI SMART APP

Feature-rich and simple to operate. Control your fire from your smart phone or tablet with full handset functionality.



S1000 - White & Acoustic Oak



Video

Specification

| | |
|----------------------|--|
| Suite Dimensions: mm | S1250: H 2200 x W 1550 x D360 S1000: H 2200 x W 1450 x D360 |
| Heat Output | 0.8kW – 1.6kW |
| Suite Finish | <div style="display: flex; align-items: center;"> <div style="width: 15px; height: 15px; background-color: #f0f0f0; margin-right: 5px;"></div> Smooth White & Acoustic Oak </div> |
| Premium Board | S1250 - EFVR12RE-MWW S1000 - EFVR10RE-MWW |
| Model Number | <div style="display: flex; align-items: center;"> <div style="width: 15px; height: 15px; background-color: #333; margin-right: 5px;"></div> Cupria Slate </div> |
| | S1250 - EFVR12RE-MWG S1000 - EFVR10RE-MWG |



Video

SINATRA S1250/S1000

Electrifiame VR Freestanding Smart Suites

Features

- Flame Projection Technology
- 3 sided glass smart fire
- Customisable fuel effect
- Woodland & Silver birch log effect
- Crystal ash embers
- 16 pre-set colours/100+ custom/Animation mode
- LED brightness control
- Thermostatic remote & manual control operation
- Amazon Alexa and Google Assistant compatible



CELSI SMART APP
Feature-rich and simple to operate. Control your fire from your smart phone or tablet with full handset functionality.



E-VR Sinatra S1000



E-VR Sinatra S1250



Video

Specification

| | |
|------------------------------|--|
| Suite Dimensions: mm | S1250: H 750 x W 1500 x D360 S1000: H 750 x W 1245 x D360 |
| Heat Output | 0.8kW – 1.6kW |
| Finish Painted Premium Board | <input type="checkbox"/> Smooth White & Thunder Grey |
| Model Number | Sinarta S1250 EFVR12RE-WTG Sinarta S1000 EFVR10RE-WTG |



Video

QUANTUM S1250/S1000

Electrifiame VR Freestanding Smart Illumia Suites

Features

- Flame Projection Technology
- 3 sided glass smart fire
- Dimmable LED surround lighting
- Customisable fuel effect
- Woodland & Silver birch log effect
- Crystal ash embers
- 16 pre-set colours/100+ custom/Animation mode
- LED brightness control
- Thermostatic remote & manual control operation
- Amazon Alexa and Google Assistant compatible



CELSI SMART APP

Feature-rich and simple to operate. Control your fire from your smart phone or tablet with full handset functionality.



E-VR Quantum S1000 Silver Birch Logs



E-VR Quantum S1250 Woodland Logs



Video

Specification

| | |
|---------------------------------------|--|
| Suite Dimensions: mm | s1250: H 785 x W 1565 x D360 s1000: H 785 x W 1390 x D360 |
| Heat Output | 0.8kW – 1.6kW |
| Suite Finish Painted Premium Board | <input type="checkbox"/> Smooth White |
| Model Number | Quantum s1250 EVR12RE-SWT Quantum s1000 EVR10RE-SWT |



Video

CASINO S1250/S1000

Electrifiame VR Freestanding Smart Suites

Features

- Flame Projection Technology
- 3 sided glass smart fire
- Customisable fuel effect
- Woodland & Silver birch log effect
- Crystal ash embers
- 16 pre-set colours/100+ custom/Animation mode
- LED brightness control
- Thermostatic remote & manual control operation
- Amazon Alexa and Google Assistant compatible



CELSI SMART APP
 Feature-rich and simple to operate. Control your fire from your smart phone or tablet with full handset functionality.



E-VR Casino S1000 Silver Birch Logs



E-VR Casino S1250 Woodland Logs



Video

Specification

| | |
|------------------------------|--|
| Suite Dimensions: mm | S1250: H 680 x W 1460 x D274 S1000: H 680 x W 1210 x D274 |
| Heat Output | 0.8kW – 1.6kW |
| Finish Painted Premium Board | <input type="checkbox"/> Smooth White |
| Model Number | Casino S1250 EVR12CRE-SWT Casino S1000 EVR10CRE-SWT |



Video

MEDIA 750

Electriflame VR Freestanding Illumia Suite



Video



Features

- Flame Projection Technology
- 3 sided glass fire
- Dimmable LED surround lighting
- Media storage
- Customisable fuel effect
- Silver birch effect logs
- Crystal ash embers
- Single or dual colour flame
- LED brightness control
- Thermostatic remote & manual control operation

Optional Extras

Woodland logs fuel effect



Specification

| | |
|------------------------------|---------------------------------------|
| Suite Dimensions: mm | H 1126 x W 1400 x D 408 |
| Heat Output | 1.0kW – 2.0kW |
| Finish Painted Premium Board | <input type="checkbox"/> Smooth White |
| Model Number | CEVR75VMRE |

CARINO 750

Electriflame VR Freestanding Illumia Suite



Video



Features

- Flame Projection Technology
- 3 sided glass fire
- Dimmable LED surround lighting
- Customisable fuel effect
- Silver birch effect logs
- Crystal ash embers
- Single or dual colour flame
- LED brightness control
- Thermostatic remote & manual control operation

Optional Extras

Woodland logs fuel effect



Specification

| | |
|------------------------------|---------------------------------------|
| Suite Dimensions: mm | H 840 x W 1118 x D 370 |
| Heat Output | 1.0kW – 2.0kW |
| Finish Painted Premium Board | <input type="checkbox"/> Smooth White |
| Model Number | CEVR75CRE |

TORONTO 800

Ultriflame VR Freestanding Illumia Suite

Features

- Open fronted fire 800
- Dimmable LED surround lighting
- Customisable fuel effect
- Silver birch effect logs
- Crystal ash embers
- Single or dual colour flame
- LED brightness control
- Thermostatic remote & manual control operation



Toronto 800 Smooth White



Toronto 800 Textured Black & White



Textured White

Specification Toronto 800

| | |
|------------------------------|--|
| Suite Dimensions: mm | H 740 x W 1465 x D 360 |
| Heat Output | 0.8kW – 1.6kW |
| Finish Painted Premium Board | <input type="checkbox"/> Smooth White CEUL9GRE-SWT <input type="checkbox"/> Textured White CEUL9GRE-TWH <input type="checkbox"/> Textured Black CEUL9GRE-TBW |
| Model Number | |



Video

TORONTO S600

Ultriflame VR Freestanding Illumia Smart Suite

Features

- Open Fronted Fire
- Dimmable LED surround lighting
- Customisable fuel effect
- Woodland logs
- Charcoal embers
- 16 pre-set colours/100+ custom/Animation mode
- LED brightness control
- Thermostatic remote & manual control operation
- Amazon Alexa and Google Assistant compatible



CELSI SMART APP
 Feature-rich and simple to operate. Control your fire from your smart phone or tablet with full handset functionality.



Smooth White



Textured Black & White



Textured White

Specification

| | |
|----------------------------|--|
| Suite Dimensions: mm | H 835 W 1185 D 360 |
| Heat Output | 0.8kW – 1.6kW |
| Paint finish Premium Board | <input type="checkbox"/> Smooth White CEUL6RRE-SWT <input type="checkbox"/> Textured White CEUL6RRE-TWH <input type="checkbox"/> Textured Black CEUL6RRE-TBW |
| Model Number | |



Video

ORBITAL 1000

Electriflame VR Freestanding Illumia Suite

Features

- Flame Projection Technology
- Glass fronted fire
- Dimmable LED surround lighting
- Customisable fuel effect
- Silver birch effect logs
- Crystal ash embers
- Single or dual colour flame
- LED brightness control
- Thermostatic remote & manual control operation



Specification

| | |
|------------------------------|--|
| Suite Dimensions: mm | H 855 x W 1600 x D 360 |
| Heat Output | 0.8kW – 1.6kW |
| Finish Painted Premium Board | |
| Model Number | <input type="checkbox"/> Smooth White EFVRSWRE |



Video

ORBITAL 800

Ultiflame VR Freestanding Illumia Suite



Video



Smooth Mist

Features

- Open fire experience
- Dimmable LED surround lighting
- Customisable fuel effect
- Silver birch effect logs
- Crystal ash embers
- Single or dual colour flame
- LED brightness control
- Thermostatic remote & manual control operation



Smooth White



Specification

| | |
|----------------------|------------------------|
| Suite Dimensions: mm | H 850 x W 1466 x D 360 |
| Heat Output | 0.8kW – 1.6kW |

Suite Finish

- Painted Premium Board Smooth White CEULOWRE-ERP
- Black inner panel Smooth Mist CEULOMRE-ERP

Model Number

VEGA 800

Ultiflame VR Freestanding Illumia Suite



Video



Features

- Open fire experience
- Customisable fuel effect
- Silver birch effect logs
- Crystal ash embers
- Single or dual colour flame
- LED brightness control
- Thermostatic remote & manual control operation



Specification

| | |
|----------------------|------------------------|
| Suite Dimensions: mm | H 892 x W 1430 x D 330 |
| Heat Output | 0.8kW – 1.6kW |

Suite Finish

- Painted Premium Board Smooth White
- Black inner panel

Model Number CEULVWRE-ERP

LUMINAIRE 800

Firebeam Freestanding Illumia Suite



Video



Features

- Open fire experience
- Dimmable LED surround lighting
- Extra deep fuel bed
- Natural real wood logs
- Active Blazing Embers
- Single or dual colour flame
- LED brightness control
- Thermostatic remote & manual control operation



Specification

| | |
|------------------------------|---------------------------------------|
| Suite Dimensions: mm | H 1005 x W 1478 x D 400 |
| Heat Output | 0.8kW - 1.6kW |
| Finish Painted Premium Board | <input type="checkbox"/> Smooth White |
| Model Number | CEULL8RE-SWT |

LUMINAIRE S600

Firebeam Freestanding Illumia Smart Suite



Video



Features

- Open fire experience
- Dimmable LED surround lighting
- Extra deep fuel bed
- Natural real wood logs
- Active Blazing Embers
- 16 pre-set colours/100+ custom/Animation mode
- LED brightness control
- Thermostatic remote & manual control operation
- Amazon Alexa and Google Assistant compatible



CELSI SMART APP
Feature-rich and simple to operate. Control your fire from your smart phone or tablet with full handset functionality.



Specification

| | |
|------------------------------|---------------------------------------|
| Suite Dimensions: mm | 1108x W 1350 x D 400 |
| Heat Output | 0.8kW - 1.6kW |
| Finish Painted Premium Board | <input type="checkbox"/> Smooth White |
| Model Number | CEULGLRE-SWT |

SKYFALL 800

Firebeam Freestanding Illumia Suite

Features

- Open fire experience
- Dimmable LED surround lighting
- Extra deep fuel bed
- Natural real wood logs
- Active Blazing Embers
- Single or dual colour flame
- LED brightness control
- Thermostatic remote & manual control operation



Smooth White



Smooth White & Mist

Specification

| | |
|------------------------------|--|
| Suite Dimensions: mm | H 775 x W 1480 x D 375 |
| Heat Output | 0.8kW - 1.6kW |
| Finish Painted Premium Board | <input type="checkbox"/> Smooth White CEULS8RE-SWT |
| Model Number | <input type="checkbox"/> Smooth White & Mist CEULS8RE- |



Video

SKYFALL S600

Firebeam Freestanding Illumia Smart Suite

Features

- Open fire experience
- Dimmable LED surround lighting
- Extra deep fuel bed
- Natural real wood logs
- Active Blazing Embers
- 16 pre-set colours/100+ custom/Animation mode
- LED brightness control
- Thermostatic remote & manual control operation
- Amazon Alexa and Google Assistant compatible



CELSI SMART APP
 Feature-rich and simple to operate. Control your fire from your smart phone or tablet with full handset functionality.



Smooth White & Mist



Smooth White & Mist

Specification

| | |
|------------------------------|--|
| Suite Dimensions: mm | H 775 x W 1480 x D 375 |
| Heat Output | 0.8kW - 1.6kW |
| Finish Painted Premium Board | <input type="checkbox"/> Smooth White CEULR6RE-SWT |
| Model Number | <input type="checkbox"/> Smooth White & Mist CEULR6RE- |



Video

ADOUR 800

Ultiflame VR Freestanding Illumia Suite



Video

Smooth Mist



Features

- Open fire experience
- Dimmable LED surround lighting
- Customisable fuel effect
- Silver birch effect logs
- Crystal ash embers
- Single or dual colour flame
- LED brightness control
- Thermostatic remote & manual control operation



Smooth Cream



Specification

| | |
|------------------------------|--|
| Suite Dimensions: mm | H 990 x W 1465 x D 380 |
| Heat Output | 0.8kW – 1.6kW |
| Finish Painted Premium Board | <input type="checkbox"/> Smooth White CEULA3REWO <input type="checkbox"/> Smooth Cream CEULA3RECO |
| Model Number | |

ADOUR S750

Ultiflame VR Freestanding Illumia Smart Suite



Video



Features

- Glass Fronted Fire
- Dimmable LED surround lighting
- Customisable fuel effect
- Woodland logs
- Charcoal embers
- 16 pre-set colours/100+ custom/Animation mode
- LED brightness control
- Thermostatic remote & manual control operation
- Amazon Alexa and Google Assistant compatible



Specification

| | |
|----------------------|------------------------|
| Suite Dimensions: mm | H 990 x W 1465 x D 380 |
| Heat Output | 0.8kW – 1.6kW |

Suite Finish

| | |
|-----------------------|---------------------------------------|
| Painted Premium Board | <input type="checkbox"/> Smooth White |
| Model Number | CEULALRE-WRS |

ADOUR S600XT

Ultiflame VR Freestanding Illumia Smart Suite



Video



Features

- Glass Fronted Fire
- Dimmable LED surround lighting
- Customisable fuel effect
- Woodland logs
- Charcoal embers
- 16 pre-set colours/100+ custom/Animation mode
- LED brightness control
- Thermostatic remote & manual control operation
- Amazon Alexa and Google Assistant compatible



Specification

| | |
|--|-------------------------|
| Suite Dimensions: mm | H 1090 x W 1340 x D 380 |
| Heat Output | 0.8kW – 1.6kW |
| Painted Premium Board Black back panel and hearth | Smooth White & Black |
| Model Number | CEULARRE-WBS |



CELSI SMART APP
Feature-rich and simple to operate. Control your fire from your smart phone or tablet with full handset functionality.

ADOUR S600

Ultiflame VR Freestanding Illumia Smart Suite



Video



Features

- Open Fronted Fire
- Dimmable LED surround lighting
- Customisable fuel effect
- Woodland logs
- Charcoal embers
- 16 pre-set colours/100+ custom/Animation mode
- LED brightness control
- Thermostatic remote & manual control operation
- Amazon Alexa and Google Assistant compatible



Specification

| | |
|--|-------------------------|
| Suite Dimensions: mm | H 1090 x W 1340 x D 380 |
| Heat Output | 0.8kW – 1.6kW |
| Painted Premium Board Black back panel and hearth | Smooth White & Black |
| Model Number | CEULA2REWBS |



CELSI SMART APP
Feature-rich and simple to operate. Control your fire from your smart phone or tablet with full handset functionality.

CANELO S600

Ultiflame VR Freestanding Illumia Smart Suite



Video



Features

- Open Fronted Fire
- Dimmable LED surround lighting
- Customisable fuel effect
- Woodland logs
- Charcoal embers
- 16 pre-set colours/100+ custom/Animation mode
- LED brightness control
- Thermostatic remote & manual control operation
- Amazon Alexa and Google Assistant compatible

CELSI SMART



Specification

| | |
|--|----------------------|
| Suite Dimensions: mm | H 1090 W 1340 D 340 |
| Heat Output | 0.8kW – 1.6kW |
| Painted Premium Board Black back panel and hearth | Smooth White & Black |
| Model Number | CEUL6IRE-RGB |



CELSI SMART APP

Feature-rich and simple to operate. Control your fire from your smart phone or tablet with full handset functionality.

ELARA S600

Ultiflame VR Freestanding Smart Suite



Video



Smooth Mist & Black

Features

- Open Fronted Fire
- Customisable fuel effect
- Woodland logs
- Charcoal embers
- 16 pre-set colours/100+ custom/Animation mode
- LED brightness control
- Thermostatic remote & manual control operation
- Amazon Alexa and Google Assistant compatible



Smooth White & Black



Specification

| | |
|--|---|
| Suite Dimensions: mm | H 892 x W 1228 x D 330 |
| Heat Output | 0.8kW – 1.6kW |
| Painted Premium Board Black back panel and hearth | Smooth White & Black CEULEWRE-RGB Smooth Mist & Black CEULEMRE-RGB |
| Model Number | |



CELSI SMART APP

Feature-rich and simple to operate. Control your fire from your smart phone or tablet with full handset functionality.

CELSI SMART

PARADA ELITE 800

Ultiflame VR Inset Limestone Illumia Suite



Video



Features

- Open fire experience
- Dimmable LED surround lighting
- Customisable fuel effect
- Silver birch effect logs
- Crystal ash embers
- Single or dual colour flame
- LED brightness control
- Thermostatic remote & manual control operation
- Available in two sizes



Specification

| | | |
|----------------------|---------------|--|
| Suite Dimensions: mm | 54" 58" | H 990 x W 1350 x D 400 H 990 x W 1464 x D 400 |
| Heat Output | 0.8kW – 1.6kW | |

Suite Finish

| | |
|--------------|--------------------------------------|
| Natural | <input type="checkbox"/> Limestone |
| Model Number | 54" CEULPSRE-ERP 58" CEULPLRE-ERP |

AVIGNON ELITE 800

Ultiflame VR Inset Limestone Suite



Video



Features

- Open fire experience
- Customisable fuel effect
- Silver birch effect logs
- Crystal ash embers
- Single or dual colour flame
- LED brightness control
- Thermostatic remote & manual control operation
- Available in two sizes



Specification

| | | |
|----------------------|---------------|--|
| Suite Dimensions: mm | 54" 58" | H 990 x W 1350 x D 380 H 990 x W 1464 x D 380 |
| Heat Output | 0.8kW – 1.6kW | |

Suite Finish

| | |
|--------------|-------------------------------------|
| Natural | <input type="checkbox"/> Limestone |
| Model Number | 54" CEUALRE-ERP 58" CEULASRE-ERP |

ALEESIA S750

Ultiflame VR Inset Limestone Illumia Smart Suite



Video



Features

- Glass Fronted Fire
- Dimmable LED surround lighting
- Woodland logs
- Charcoal embers
- 16 pre-set colours/100+ custom/Animation mode
- LED brightness control
- Thermostatic remote & manual control operation
- Amazon Alexa and Google Assistant compatible
- Available in two sizes



Specification

| | | |
|----------------------|---------------|--|
| Suite Dimensions: mm | 54" 58" | H 1050 x W 1370 x D 400 H 1050 x W 1470 x D 400 |
| Heat Output | 0.8kW – 1.6kW | |

Suite Finish

| | |
|--------------|------------------------------------|
| Natural | <input type="checkbox"/> Limestone |
| Model Number | 54" CEULALS4RE 58" CEULALS8RE |

ASENCIO S600XT

Ultiflame VR Inset Limestone Smart Suite



Video



Features

- Glass Fronted Fire
- Customisable fuel effect
- Woodland logs
- Charcoal embers
- 16 pre-set colours/100+ custom/Animation mode
- LED brightness control
- Thermostatic remote & manual control operation
- Amazon Alexa and Google Assistant compatible



CELSI SMART APP
Feature-rich and simple to operate. Control your fire from your smart phone or tablet with full handset functionality.

Specification

| | |
|----------------------|------------------------------------|
| Suite Dimensions: mm | H 1095 x W 1376 x D 380 |
| Heat Output | 0.8kW – 1.6kW |
| Natural | <input type="checkbox"/> Limestone |
| Model Number | CEULASSRE |

ANGELO S600

Ultiflame VR Inset Limestone Smart Suite



Video



Features

- Open fire experience
- Customisable fuel effect
- Woodland logs
- Charcoal embers
- 16 pre-set colours/100+ custom/Animation mode
- LED brightness control
- Thermostatic remote & manual control operation
- Amazon Alexa and Google Assistant compatible



CELSI SMART APP
Feature-rich and simple to operate. Control your fire from your smart phone or tablet with full handset functionality.

Specification

| | |
|----------------------|------------------------------------|
| Suite Dimensions: mm | H 1070 x W 1370 x D 380 |
| Heat Output | 0.8kW – 1.6kW |
| Natural | <input type="checkbox"/> Limestone |
| Model Number | CEULLIRE-RGB |

BOTICELLI S600

Ultiflame VR Inset Limestone Smart Suite



Video



Features

- Open fire experience
- Customisable fuel effect
- Woodland logs
- Charcoal embers
- 16 pre-set colours/100+ custom/Animation mode
- LED brightness control
- Thermostatic remote & manual control operation
- Amazon Alexa and Google Assistant compatible



CELSI SMART APP
Feature-rich and simple to operate. Control your fire from your smart phone or tablet with full handset functionality.

Specification

| | |
|----------------------|------------------------------------|
| Suite Dimensions: mm | H 1060 x W 1370 x D 380 |
| Heat Output | 0.8kW – 1.6kW |
| Natural | <input type="checkbox"/> Limestone |
| Model Number | CEULAVRE-RGB |

PABLO S600

Ultriflame VR Inset Limestone Smart Suite



Video



Features

- Open fire experience
- Customisable fuel effect
- Woodland logs
- Charcoal embers
- 16 pre-set colours/100+ custom/Animation mode
- LED brightness control
- Thermostatic remote & manual control operation
- Amazon Alexa and Google Assistant compatible

CELSI
SMART



CELSI SMART APP

Feature-rich and simple to operate. Control your fire from your smart phone or tablet with full handset functionality.

Specification

| | |
|----------------------|------------------------------------|
| Suite Dimensions: mm | H 1060 x W 1220 x D 410 |
| Heat Output | 0.8kW – 1.6kW |
| Natural | <input type="checkbox"/> Limestone |
| Model Number | CEULRSRE-RGB |

VOLARE 750

Electriflame VR 3 Sided Glass Fire Wall Mounted Illumia Suite



Video



Features

- 3 sided glass fire
- Dimmable LED surround lighting
- Customisable fuel effect
- Silver birch effect logs
- Crystal ash embers
- Single or dual colour flame
- LED brightness control
- Thermostatic remote & manual control operation
- Includes wall fixing bracket

Optional Extras

Woodland logs fuel effect



Specification

| | |
|------------------------------|---------------------------------------|
| Suite Dimensions: mm | H 721 x W 1400 x D 406 |
| Heat Output | 1.0kW – 2.0kW |
| Finish Painted Premium Board | <input type="checkbox"/> Smooth White |
| Model Number | CEVR75VRE |

ROSETTA S1250/S1000

Electriflame VR Wall Mounted Suite

Features

- Flame Projection Technology
- Glass fronted smart fire
- Customisable fuel effect
- Woodland & Silver birch effect logs
- Crystal ash embers
- 16 pre-set colours/100+ custom/Animation mode
- LED brightness control
- Thermostatic remote & manual control operation
- Amazon Alexa and Google Assistant compatible
- Includes wall fixing bracket



CELSI SMART APP
 Feature-rich and simple to operate. Control your fire from your smart phone or tablet with full handset functionality.



Rosetta S1000




Rosetta S1250



Video S1000

Specification

| | |
|----------------------|--|
| Suite Dimensions: mm | (S1250) H 605 x W 1560 x D 222 (S1000) H 605 x W 1310 x D 222 |
| Heat Output | 0.8kW - 1.6kW |
| Finish Premium Board |  Cupria Slate |
| Model Number | Rosetta S1250 EFVR12RE-FCS Rosetta S1000 EFVR10RE-FCS |



Video S1250

FIREBEAM 800XL

Firebeam Semi-Inset Illumia Suite



Video



Features

- Open fire experience
- Dimmable LED surround lighting
- Extra deep fuel bed
- Natural real wood logs
- Active Blazing Embers
- Single or dual colour flame
- LED brightness control
- Thermostatic remote & manual control operation



Specification

| | |
|------------------------------|---------------------------------------|
| Suite Dimensions: mm | H 697 x W 1302 x D 213 |
| Heat Output | 0.8kW - 1.6kW |
| Finish Painted Premium Board | <input type="checkbox"/> Smooth White |
| Model Number | CEUXF8RE-SWT |

FIREBEAM 800

Firebeam Inset Illumia Suite



Video



Smooth Mist

Features

- Open fire experience
- Dimmable LED surround lighting
- Extra deep fuel bed
- Natural real wood logs
- Active Blazing Embers
- 16 pre-set colours/100+ custom/Animation mode
- LED brightness control
- Thermostatic remote & manual control operation
- Amazon Alexa and Google Assistant compatible



Smooth White

Specification

| | |
|------------------------------|--|
| Suite Dimensions: mm | H 540 x W 1200 x D 170 |
| Heat Output | 0.8kW - 1.6kW |
| Finish Painted Premium Board | <input type="checkbox"/> Smooth White CEULF8RE-SWT |
| Model Number | <input type="checkbox"/> Smooth Mist CEULF8RE-ELB |

FIREBEAM XL S600

Firebeam Semi-Inset Illumia Smart Suite



Video



Features

- Open fire experience
- Dimmable LED surround lighting
- Extra deep fuel bed
- Natural real wood logs
- Active Blazing Embers
- 16 pre-set colours/100+ custom/Animation mode
- LED brightness control
- Thermostatic remote & manual control operation
- Amazon Alexa and Google Assistant compatible

CELSI SMART



CELSI SMART APP

Feature-rich and simple to operate. Control your fire from your smart phone or tablet with full handset functionality.

Specification

| | |
|------------------------------|---------------------------------------|
| Suite Dimensions: mm | H 794 x W 970 x D 213 |
| Heat Output | 0.8kW - 1.6kW |
| Finish Painted Premium Board | <input type="checkbox"/> Smooth White |
| Model Number | CEUXR6RE-SWT |

FIREBEAM S600

Firebeam Inset Illumia Smart Suite



Video

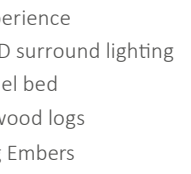


Smooth White

Features

- Open fire experience
- Dimmable LED surround lighting
- Extra deep fuel bed
- Natural real wood logs
- Active Blazing Embers
- 16 pre-set colours/100+ custom/Animation mode
- LED brightness control
- Thermostatic remote & manual control operation
- Amazon Alexa and Google Assistant compatible

CELSI SMART



CELSI SMART APP

Feature-rich and simple to operate. Control your fire from your smart phone or tablet with full handset functionality.



Smooth Mist

Specification

| | |
|------------------------------|--|
| Suite Dimensions: mm | H 615 x W 870 x D 170 |
| Heat Output | 0.8kW - 1.6kW |
| Finish Painted Premium Board | <input type="checkbox"/> Smooth White CEULFRRE-SWT |
| Model Number | <input type="checkbox"/> Smooth Mist CEULFRRE-ELB |



3-sided glass Installation Woodland Logs



Video

Specification

| | |
|---------------------|------------------------|
| Fire Dimensions: mm | H 330 x W 1600 x D 219 |
| Heat Output | 0.8kW – 1.6kW |
| Model Number | EFVR16RE |

COMMODUS S1600

Electriflame VR Built-In 3 Sided Glass Smart Fire

Features

- Flame Projection Technology
- 3 sided glass smart fire
- Customisable fuel effect
- Woodland & Silver birch effect logs
- Crystal ash embers
- 16 pre-set colours/100+ custom/Animation mode
- LED brightness control
- Thermostatic remote & manual control operation
- Amazon Alexa and Google Assistant compatible
- Side blanking for 2 & 1 sided installations



CELSI SMART APP
 Feature-rich and simple to operate. Control your fire from your smart phone or tablet with full handset functionality.





2-sided glass Installation



Video

Specification

| | |
|---------------------|------------------------|
| Fire Dimensions: mm | H 330 x W 1250 x D 219 |
| Heat Output | 0.8kW – 1.6kW |
| Model Number | EFVR12RE |

COMMODUS S1250

Electrifiame VR Built-In 3 Sided Glass Smart Fire

Features

- Flame Projection Technology
- 3 sided glass smart fire
- Customisable fuel effect
- Woodland & Silver birch effect logs
- Crystal ash embers
- 16 pre-set colours/100+ custom/Animation mode
- LED brightness control
- Thermostatic remote & manual control operation
- Amazon Alexa and Google Assistant compatible
- Side blanking for 2 & 1 sided installations



CELSI SMART APP
Feature-rich and simple to operate. Control your fire from your smart phone or tablet with full handset functionality.



COMMODUS S1000

Electriflame VR Built-In 3 Sided Glass Smart Fire

Features

- Flame Projection Technology
- 3 sided glass smart fire
- Customisable fuel effect
- Woodland & Silver birch effect logs
- Crystal ash embers
- 16 pre-set colours/100+ custom/Animation mode
- LED brightness control
- Thermostatic remote & manual control operation
- Amazon Alexa and Google Assistant compatible
- Side blanking for 2 & 1 sided installations
- Fascia option available



CELSI SMART APP
Feature-rich and simple to operate. Control your fire from your smart phone or tablet with full handset functionality.



3-sided glass Installation Silver Birch Logs



Wall Inset with Fascia Woodland Logs



Video

Specification

| | |
|--|---|
| Fire Dimensions: mm | H 330 x W 1000 x D 219 |
| Fascia Dimensions: mm | H 540 x W 1200 x D 19 |
| Heat Output | 0.8kW – 1.6kW |
| Dual Finish Steel Fabricated Fascia Metallic | Black Nickel & Black Metallic |
| Model Number | Fire & Fascia EFVR10RE070 Fire only EFVR10RE |



Video

1400

Electriflame VR Built-In 3 Sided Glass Fire



Video



Features

- 3 sided glass fire
- Customisable fuel effect
- Silver birch effect logs
- Crystal ash embers
- Single or dual colour flame
- LED brightness control
- Thermostatic remote & manual control operation
- Side blanking for 2 &1 sided installations



Specification

| | |
|---------------------|------------------------|
| Fire Dimensions: mm | H 375 x W 1430 x D 275 |
| Heat Output | 1.0kW – 2.0kW |
| Model Number | CEVR14RE |

750

Electriflame VR Built-In 3 Sided Glass Fire



Video



Features

- 3 sided glass fire
- Customisable fuel effect
- Silver birch effect logs
- Crystal ash embers
- Single or dual colour flame
- LED brightness control
- Thermostatic remote & manual control operation
- Side blanking for 2 &1 sided installations



Specification

| | |
|---------------------|-----------------------|
| Fire Dimensions: mm | H 374 x W 780 x D 275 |
| Heat Output | 0.8kW – 1.6kW |
| Model Number | CEVR75RE |

Optional Extras

Woodland logs fuel effect



VICHY 800

Ultiflame VR Wall Inset Fire



Video



Textured Black

Features

- Open fire experience
- Customisable fuel effect
- Silver birch effect logs
- Crystal ash embers
- Single or dual colour flame
- LED brightness control
- Thermostatic remote & manual control operation



Satin Champagne



Specification

| | |
|----------------|-----------------------|
| Dimensions: mm | H 540 x W 1490 x D 71 |
| Heat Output | 0.8kW – 1.6kW |

Finish

| | |
|--|---|
| Steel Fabricated Fascia Brushed Metallic or Black Textured Paint | <input type="checkbox"/> Satin Champagne CEUL33RE971 <input type="checkbox"/> Black Textured CEUL33RE915 |
| Model Number | |

METZ 800 & Elite 800

Ultiflame VR Wall Inset Fire



Metz Video



Metz 800 Satin Champagne

Features

- Open fire experience
- Customisable fuel effect
- Silver birch effect logs
- Crystal ash embers
- Single or dual colour flame
- LED brightness control
- Thermostatic remote & manual control operation



Eite 800 - Fascialess



Specification Metz 800

| | |
|----------------|-------------------------|
| Dimensions: mm | H 540 x W 1490 x D 22.5 |
| Heat Output | 0.8kW – 1.6kW |

| | |
|---|--|
| Steel Fabricated Fascia Brushed Metallic | <input type="checkbox"/> Satin Champagne CEUL33RE931 |
| Model Number | |

Specification Eite 800

| | |
|---------------------|-----------------------|
| Fire Dimensions: mm | H 352 x W 843 x D 182 |
| Heat Output | 0.8kW – 1.6kW |
| Model Number | CEUL33RE-ERP |



Elite Video

INSTINCT 800

Ultiflame VR Wall Inset Fire



Video



Satin Champagne

Features

- Open fire experience
- Customisable fuel effect
- Silver birch effect logs
- Crystal ash embers
- Single or dual colour flame
- LED brightness control
- Thermostatic remote & manual control operation



Satin Black



Specification

| | |
|----------------|-----------------------|
| Dimensions: mm | H 647 x W 1138 x D 60 |
| Heat Output | 0.8kW – 1.6kW |

Finish

| | |
|---|------------------------------|
| Steel Fabricated Fascia | Satin Champagne CECH33RE-ERP |
| Steel Fabricated Fascia Brushed Metallic | Satin Black CEBC33RE-ERP |

Model Number

EVORA S600XT & ASECICIO S600XT

Ultiflame VR Wall Inset Smart Fire



Video



Evora S600XT

Features

- Glass Fronted Fire
- Customisable fuel effect
- Woodland logs
- Charcoal embers
- 16 pre-set colours/100+ custom/Animation mode
- LED brightness control
- Thermostatic remote & manual control operation
- Amazon Alexa and Google Assistant compatible



Asencio S600XT trimless installation



CELSI SMART APP
Feature-rich and simple to operate. Control your fire from your smart phone or tablet with full handset functionality.

Specification

| | |
|---|--|
| Dimensions Evora: mm | H 768 x W 762 x D 19 |
| Heat Output | 0.8kW – 1.6kW |
| Steel Fabricated Fascia Dual Finish Metallic | Black Nickel & Chrome Evora S600XT CEULASRE-FAS |
| Model Number | Asencio S600XT CEULASRE-RGB |

VADER S750 & ALEESIA S750

Ultiflame VR Wall Inset Smart Fire

Features

- Glass Fronted Fire
- Customisable fuel effect
- Woodland logs
- Charcoal embers
- 16 pre-set colours/100+ custom/Animation mode
- LED brightness control
- Thermostatic remote & manual control operation
- Amazon Alexa and Google Assistant compatible



CELSI SMART APP
Feature-rich and simple to operate. Control your fire from your smart phone or tablet with full handset functionality.



Vader S750 Black Nickel & Chrome



Aleesia S750 trimless installation



Vader S750 Black Nickel & Black



Video

Specification

| | |
|---|---|
| Dimensions: mm | Vader S750 H 683 x W 963 x D 21 Aleesia S750 H 490 x W 770 x D 183 |
| Heat Output | 0.8kW – 1.6kW |
| Steel Fabricated Fascia Dual Metallic Finish | Black Nickel & Black CEULALRE-BNB |
| Model Number | Black Nickel & Chrome CEULALRE-BNC Aleesia S750 CEULALRE-RGB |



CELENA S600

Ultiflame VR Wall Inset Smart Fire



Video



Features

- Open fire experience
- Customisable fuel effect
- Woodland logs
- Charcoal embers
- 16 pre-set colours/100+ custom/Animation mode
- LED brightness control
- Thermostatic remote & manual control operation
- Amazon Alexa and Google Assistant compatible



Specification

| | |
|---------------------|-----------------------|
| Fire Dimensions: mm | H 447 x W 560 x D 182 |
| Heat Output | 0.8kW – 1.6kW |
| Model Number | CEUL22RE-RGB |



CELSI SMART APP
Feature-rich and simple to operate. Control your fire from your smart phone or tablet with full handset functionality.

IMPULSE S600

Ultiflame VR Wall Inset Smart Fire



Video



Satin Black

Features

- Open fire experience
- Customisable fuel effect
- Woodland logs
- Charcoal embers
- 16 pre-set colours/100+ custom/Animation mode
- LED brightness control
- Thermostatic remote & manual control operation
- Amazon Alexa and Google Assistant compatible



CELSI SMART

Satin Silver



Specification

| | |
|---|---|
| Dimensions: mm | H 742 x W 860 x D 60 |
| Heat Output | 0.8kW – 1.6kW |
| Steel Fabricated Fascia Brushed Metallic | <input type="checkbox"/> Satin Silver CESS22RE-RGB <input type="checkbox"/> Satin Black CEBC22RE-RGB |
| Model Number | |



CELSI SMART APP
Feature-rich and simple to operate. Control your fire from your smart phone or tablet with full handset functionality.

PRESTIGE

Electrifiame XD Wall Mounted Fire

Features

- Glass fronted fire
- High definition effect
- Extra deep 3D coals
- Relaxing smoky flames
- LED brightness control
- Thermostatic remote & manual control operation
- Includes wall fixing bracket



Atmospheric flame ascension



Specification

| | |
|--------------------------|--|
| Dimensions: mm | H 600 x W 1100 x D 150 |
| Heat Output | 0.75kW – 1.5kW |
| Finish Natural Marble |  Prestige Brown |
| Model Number | EFH11TBRE |



Video

TRAVERTINE

Electriflame XD Wall Mounted Fire



Video

Travertine 1100



Features

- Glass fronted fire
- High definition effect
- Extra deep 3D coals
- Relaxing smoky flames
- LED brightness control
- Thermostatic remote & manual control operation
- Includes wall fixing bracket
- Available in two sizes



Travertine 1300



Specification

| | |
|----------------|-----------------------------|
| Dimensions: mm | H 625 x W 1300/1100 x D 150 |
| Heat Output | 0.75kW – 1.5kW |

Finish

| | |
|--------------|--------------------------------------|
| Natural | Travertine |
| Model Number | 1300 - EFH13TVRE 1100 - EFH11TVRE |

ROYAL BOTTICINO

Electriflame XD Wall Mounted Fire



Video



Features

- Glass fronted fire
- High definition effect
- Extra deep 3D coals
- Relaxing smoky flames
- LED brightness control
- Thermostatic remote & manual control operation
- Includes wall fixing bracket



Specification

| | |
|----------------|------------------------|
| Dimensions: mm | H 600 x W 1100 x D 150 |
| Heat Output | 0.75kW – 1.5kW |

Finish

| | |
|----------------|-----------------|
| Natural Marble | Royal Botticino |
| Model Number | EFH11RBRE |

RAPTURE

Flamonik Wall Mounted Fire



Video



Features

- Flat glass fascia
- Distinctive flame effect
- Raised log fuel bed
- Thermostatic remote & manual control operation
- Includes wall fixing bracket



Magenta



Blue



Amber



Specification

| | |
|----------------|-----------------------|
| Dimensions: mm | H 440 x W 686 x D 110 |
| Heat Output | 0.75kW – 1.5kW |

Finish

| | |
|--------------|--------------|
| | Black Glass |
| Model Number | CFE090RE-ERP |

ENCHANT

Flamonik Wall Mounted Fire



Video



Features

- Curved glass fascia
- Enchanting smoky flame effect
- Raised log fuel bed
- Thermostatic remote & manual control operation
- Includes wall fixing bracket



Magenta



Blue



Amber



Specification

| | |
|----------------|-----------------------|
| Dimensions: mm | H 441 x W 916 x D 126 |
| Heat Output | 0.75kW – 1.5kW |

Finish

| | |
|--------------|--------------|
| | Black Glass |
| Model Number | CFE090RE-ERP |



Chrome & Black Nickel

ACERO

Electriflame VR Hearth Inset Fire

Features

- Aspirational 26 inch fascia
- Flame Projection Technology
- Extra wide glass fronted fire
- Customisable fuel effect
- Real Wood logs
- Crystal ash embers
- Single or dual colour flame
- LED brightness control
- Thermostatic remote & manual control operation



Chrome & Satin Silver



Video

Specification

| | |
|---|---|
| Dimensions: mm | H 655 x W 657 x D 67 |
| Heat Output | 0.75kW - 1.5kW |
| Dual Finish Steel Fabricated Fascia Metallic | <input type="checkbox"/> Chrome & Satin Silver EVRIASRE |
| Model Number | <input type="checkbox"/> Chrome & Black Nickel EVRIABRE |

PARRILLA

Electrifiame VR Hearth Inset Fire

Features

- Flame Projection Technology
- Extra wide glass fronted fire
- Customisable fuel effect
- Real Wood logs
- Crystal ash embers
- Single or dual colour flame
- LED brightness control
- Thermostatic remote & manual control operation



Satin Silver



Satin Champagne

Specification

| | |
|----------------|----------------------|
| Dimensions: mm | H 602 x W 544 x D 90 |
| Heat Output | 0.75kW – 1.5kW |

Finish

| | |
|---|---|
| Steel Fabricated Fascia Brushed Metallic | <input type="checkbox"/> Satin Silver EVRIPSRE |
| Model Number | <input type="checkbox"/> Satin Champagne EVRIPCRE |



Video

ARCADIA

Ultiflame VR Hearth Inset Fire



Video

Features

- Open fire experience
- Customisable fuel effect
- Natural real wood logs
- Charcoal embers
- Single or dual colour flame
- LED brightness control
- Thermostatic remote & manual control operation



Optional Extras

75mm Spacer frame
For flat wall installation



Black & Chrome

Finish

High Quality Cast Iron
Fascia Paint and Metallic
Plated

Model Number

- Black & Gold CUFLAGRE-ERP
- Black & Chrome CUFLASRE-ERP



Black & Gold

Specification

| | |
|----------------|-----------------------|
| Dimensions: mm | H 612 x W 528 x D 154 |
| Heat Output | 0.75kW – 1.5kW |

DECADENCE

Ultiflame VR Hearth Inset Fire



Video

Features

- Open fire experience
- Customisable fuel effect
- Natural real wood log
- Charcoal embers
- Single or dual colour flame
- LED brightness control
- Thermostatic remote & manual control operation



Optional Extras

75mm Spacer frame
For flat wall installation



Gold

Black Nickel



Chrome

Finish

High Quality Cast Iron
Fascia Metallic Plated

Model Number

- Chrome CUFLDRE-ERP
- Gold CUFLDRE-ERP
- Black Nickel CUFLDRE-ERP

Specification

| | |
|----------------|-------------------------|
| Dimensions: mm | H 630 x W 528.5 x D 151 |
| Heat Output | 0.75kW – 1.5kW |

CAMBER

Ultiflame VR Hearth Inset Fire



Video

Features

- Open fire experience
- Customisable fuel effect
- Natural real wood logs
- Charcoal embers
- Single or dual colour flame
- LED brightness control
- Thermostatic remote & manual control operation



Optional Extras

75mm Spacer frame
For flat wall installation



Satin Champagne

Black Textured

Finish

| | |
|---|------------------------------|
| Anodised Aluminium | Satin Silver CUFLWORE-ERP |
| Fascia Brushed Metallic or Black Textured Paint | Satin Champagne CUFLAORE-ERP |
| Model Number | Black Textured CUFLBORE-ERP |

Specification

| | |
|----------------|-----------------------|
| Dimensions: mm | H 619 x W 537 x D 135 |
| Heat Output | 0.75kW – 1.5kW |

FRONTIER

Ultiflame VR Hearth Inset Fire



Video

Features

- Open fire experience
- Customisable fuel effect
- Natural real wood logs
- Charcoal embers
- Single or dual colour flame
- LED brightness control
- Thermostatic remote & manual control operation



Optional Extras

75mm Spacer frame
For flat wall installation



Specification

| | |
|----------------|-----------------------|
| Dimensions: mm | H 617 x W 541 x D 131 |
| Heat Output | 0.75kW – 1.5kW |

Dual Finish

| | |
|--|-------------------------|
| Steel Fabricated Fascia Paint & Metallic | Black Textured & Chrome |
| Model Number | CUFLSRE-ERP |

ESSENCE

Ultiflame VR Hearth Inset Fire



Video



Satin Silver

Features

- Open fire experience
- Customisable fuel effect
- Natural real wood logs
- Charcoal embers
- Single or dual colour flame
- LED brightness control
- Thermostatic remote & manual control operation



Optional Extras


75mm Spacer frame
For flat wall installation

Specification

| | |
|----------------|-----------------------|
| Dimensions: mm | H 619 x W 537 x D 127 |
| Heat Output | 0.75kW – 1.5kW |

Finish

Steel Fabricated Fascia
Brushed Metallic
Model Number

 Satin Silver CUFLDRE-ERP

DESIGNER

Ultiflame VR Hearth Inset Fire



Video



Black Nickel & Chrome

Features

- Open fire experience
- Customisable fuel effect
- Natural real wood logs
- Charcoal embers
- Single or dual colour flame
- LED brightness control
- Thermostatic remote & manual control operation



Optional Extras

75mm Spacer frame
For flat wall installation





Chrome & Black

Specification

| | |
|----------------|-----------------------|
| Dimensions: mm | H 599 x W 498 x D 129 |
| Heat Output | 0.75kW – 1.5kW |

Dual Finish

Steel Fabricated Fascia
Metallic
Model Number

 Black Nickel & Chrome CUFLDSRE-ERP
 Chrome & Black CUFLCBRE-ERP

ENDURA

Ultiflame VR Hearth Inset Fire



Video

Features

- Open fire experience
- Customisable fuel effect
- Natural real wood logs
- Charcoal embers
- Single or dual colour flame
- LED brightness control
- Thermostatic remote & manual control operation



Optional Extras

75mm Spacer frame
For flat wall installation



Black

Finish

- Steel Fabricated Fascia Metallic or Smooth Black Paint
- Model Number
- Chrome CUFLESRE-ERP
- Black CUFLEBRE-ERP



Chrome

Specification

| | |
|----------------|-----------------------|
| Dimensions: mm | H 598 x W 497 x D 126 |
| Heat Output | 0.75kW – 1.5kW |

CONTEMPORARY

Ultiflame VR Hearth Inset Fire



Video

Features

- Open fire experience
- Customisable fuel effect
- Natural real wood logs
- Charcoal embers
- Single or dual colour flame
- LED brightness control
- Thermostatic remote & manual control operation



Optional Extras

75mm Spacer frame
For flat wall installation



Satin Champagne

Finish

- Steel Fabricated Fascia Metallic or Brushed Metallic
- Model Number
- Satin Silver CUFLCSRE-ERP
- Satin Champagne CUFLCCRE-ERP



Satin Silver

Specification

| | |
|----------------|-----------------------|
| Dimensions: mm | H 598 x W 493 x D 132 |
| Heat Output | 0.75kW – 1.5kW |



HOLOGRAM GENESIS

Electriflame H3D Smart Stove

Features

- Holographic Im-Mesh 3D Technology
- Multi Flame Projection Technology
- Living Ember Bed Technology
- Tough steel construction
- Curved design
- Woodland ceramic logs
- 16 pre-set colours/100+ custom/Animation mode
- LED brightness control
- Thermostatic remote & manual control operation
- Amazon Alexa and Google Assistant compatible
- Decorative flue pipe available



CELSI SMART APP

Feature-rich and simple to operate. Control your fire from your smart phone or tablet with full handset functionality.

The Holographic Im-Mesh 3D technology offers an extensive number of colour options and combinations. Explore dancing flame witchery and smouldering logs with Living Ember Bed Technology, a desirable effect at the forefront of the electric stoves market.

This exciting new generation of electric fires features patented technologies. It is economical to run with high quality LEDs. The heater is thermostatically controlled with settings options. The fire is simple to use and can be operated manually, by remote control, or via WiFi using our dedicated Celsi app.

The flame picture can be used in isolation to the heat, and is a popular choice when no heat is required during the summer months, offering exceptionally low running costs.

Instant heat can be applied to a room at anytime with full thermostatic control.



Video

Specification

| | |
|---------------------------------|-----------------------|
| Dimensions: mm | H 800 x W 500 x D 400 |
| Heat Output | 1.0kW – 2.0kW |
| Finish Steel Fabricated Painted | Black |
| Model Number | ESEHGORE |

CELSI SMART



SPECTRE

Electriflame VR 3 Sided Glass Smart Stoves



Video

Features

- Flame Projection Smart Technology
- 3 sided glass stove
- Customisable fuel effect
- Woodland ceramic logs
- Crystal ash embers
- 16 pre-set colours/100+ custom/Animation mode
- LED brightness control
- Thermostatic remote & manual control operation
- Amazon Alexa and Google Assistant compatible
- Decorative flue pipe available



CELSI SMART APP
Feature-rich and simple to operate. Control your fire from your smart phone or tablet with full handset functionality.



Specification

| | |
|---------------------------------|-----------------------|
| Dimensions: mm | H 800 x W 500 x D 400 |
| Heat Output | 1.0kW – 2.0kW |
| Finish Steel Fabricated Painted | Black |
| Model Number | EFVRCRE |

Optional Extras

- Decorative Steel Flue Pipe Assembly B-1033451

SPECTRE LS



Video



Specification

| | |
|---------------------------------|------------------------|
| Dimensions: mm | H 1095 x W 500 x D 400 |
| Heat Output | 1.0kW – 2.0kW |
| Finish Steel Fabricated Painted | Black |
| Model Number | EFVRLRE |

Optional Extras

- Decorative Steel Flue Pipe Assembly B-1033451





STRATFORD

Electriflame VR Smart Stove

Features

- Flame Projection Smart Technology
- Tough steel body stove
- Customisable fuel effect
- Woodland ceramic logs
- Crystal ash embers
- 16 pre-set colours/100+ custom/Animation mode
- LED brightness control
- Thermostatic remote & manual control operation
- Amazon Alexa and Google Assistant compatible
- Decorative flue pipe available



CELSI SMART APP

Feature-rich and simple to operate. Control your fire from your smart phone or tablet with full handset functionality.



Video

Specification

| | |
|---------------------------------|---|
| Dimensions: mm | H 590 x W 500 x D 330 |
| Heat Output | 1.0kW – 2.0kW |
| Finish Steel Fabricated Painted |  Black |
| Model Number | EFVRSTRE |

ROCHESTER

Electriflame VR Stove

Features

- Flame Projection Technology
- Tough steel body
- Curved door design
- Customisable fuel effect
- Silver birch effect logs
- Crystal ash embers
- Single or dual colour flame
- LED brightness control
- Thermostatic remote & manual control operation




Optional Extras

- Woodland ceramic logs
- Decorative Steel Flue Pipe Accessories



Specification

| | |
|---------------------------------|---|
| Dimensions: mm | H 606 x W 532 x D 372 |
| Heat Output | 1.0kW – 2.0kW |
| Finish Steel Fabricated Painted |  Black |
| Model Number | CEVRSRRE |



Video

ARUNDEL

Electriflame VR Stove



Video



Features

- Flame Projection Technology
- Tough steel body
- Customisable fuel effect
- Silver birch effect logs
- Crystal ash embers
- Single or dual colour flame
- LED brightness control
- Thermostatic remote & manual control operation



Optional Extras

- Woodland ceramic logs
- Decorative Steel Flue Pipe Accessories



Specification

| | |
|----------------|-----------------------|
| Dimensions: mm | H 582 x W 430 x D 389 |
| Heat Output | 1.0kW – 2.0kW |

Finish

| | |
|--------------------------|----------|
| Steel Fabricated Painted | Black |
| Model Number | CEVRSARE |

LUXIMA

Electriflame VR Stove



Video



Features

- Flame Projection Technology
- Tough steel body
- Customisable fuel effect
- Silver birch effect logs
- Crystal ash embers
- Single or dual colour flame
- LED brightness control
- Thermostatic remote & manual control operation



Optional Extras

- Woodland ceramic logs
- Decorative Steel Flue Pipe Accessories



Finish

| | |
|--------------------------|----------|
| Steel Fabricated Painted | Black |
| Model Number | CEVRSLRE |

Specification

| | |
|----------------|-----------------------|
| Dimensions: mm | H 595 x W 471 x D 359 |
| Heat Output | 1.0kW – 2.0kW |

Metal 2



METAL 1 & 2

Electr stove XD Stove

Features

- Tough steel body & door
- High definition effect
- Extra deep 3D coals
- Relaxing smoky flames
- LED brightness control
- Thermostatic remote & manual control operation



Metal 1



METAL 2
Video

Specification

| | | |
|----------------|------------------------|--|
| Dimensions: mm | Metal 1 Metal 2 | H 579 x W 430 x D 332 H 587 x W 524 x D 295 |
| Heat Output | | 1.0kW – 2.0kW |
| Finish | Black Steel Fabricated | Black |
| Model Number | Metal 1 Metal 2 | CESSMDRE-ERP CESLMDRE-ERP |

Optional Extras

- Decorative Steel Flue Pipe Accessories



METAL 1
Video

GLASS 1 & 2

Electristove XD Stove

Features

- Tough steel body
- Glass door & stove top
- High definition effect
- Extra deep 3D coals
- Relaxing smoky flames
- LED brightness control
- Thermostatic remote & manual control operation



Glass 2



GLASS 2
Video



Glass 1

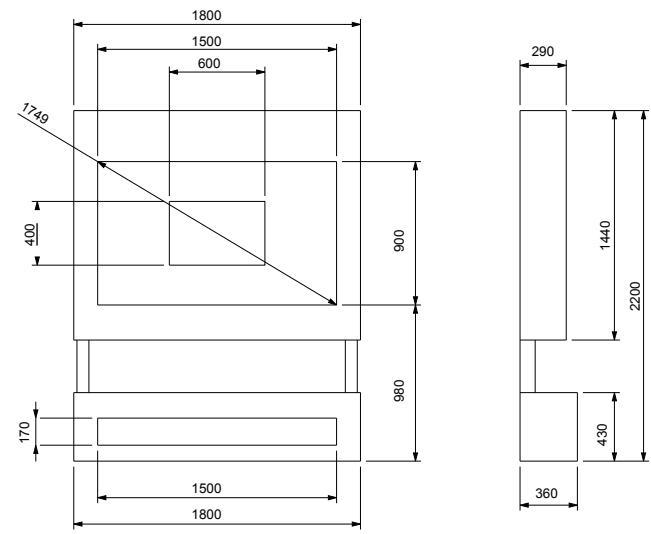
Specification

| | | |
|----------------|------------------------|--|
| Dimensions: mm | Glass 1 Glass 2 | H 583 x W 430 x D 334 H 591 x W 524 x D 295 |
| Heat Output | | 1.0kW – 2.0kW |
| Body | Brush Steel Fabricated | |
| Glass Door | | Black Glass & Chrome |
| Model Number | Glass 1 | CESSMDRE-ERP |
| | Glass 2 | CESLMDRE-ERP |

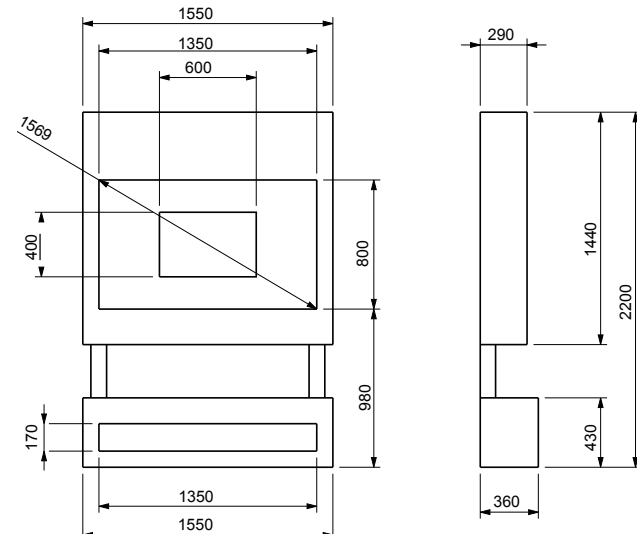


GLASS 1
Video

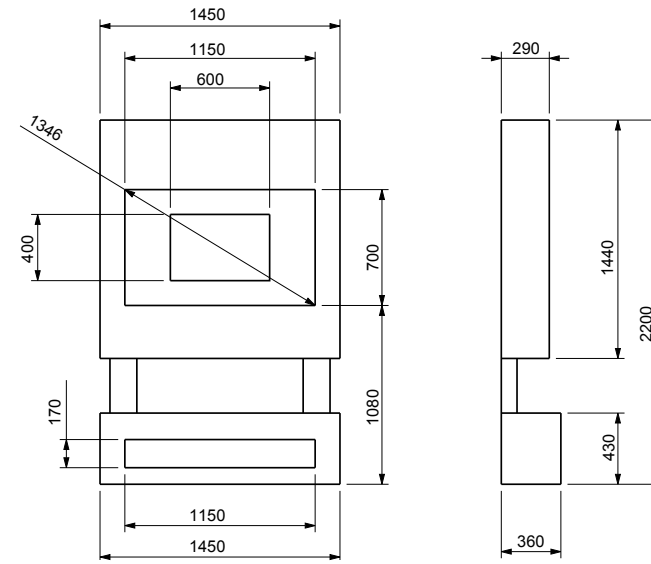
MEDIA WALL SUITES



MEDIA WALL S1600

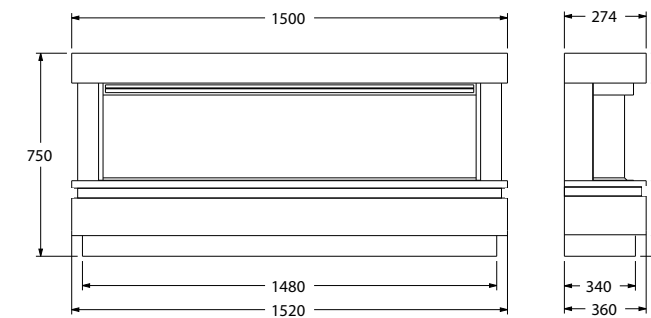


MEDIA WALL S1250

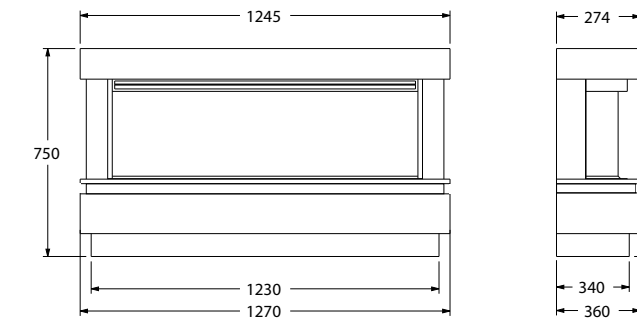


MEDIA WALL S1000

FREESTANDING SUITES



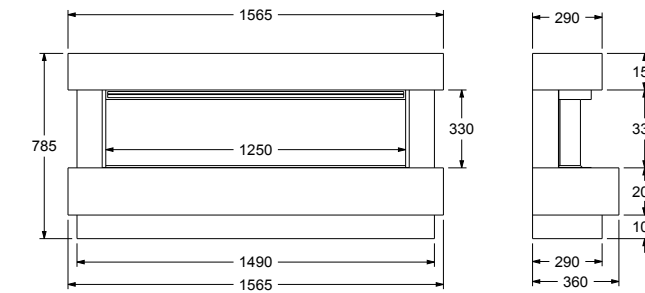
SINATRA S1250



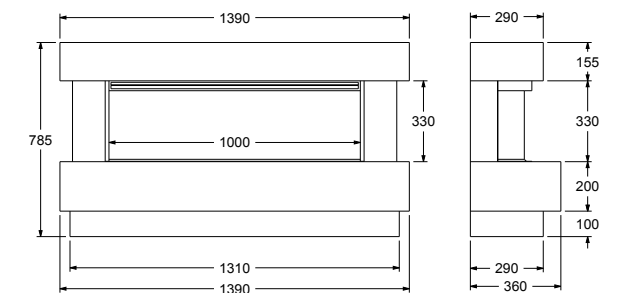
SINATRA S1000

CONTINUED FREESTANDING SUITES

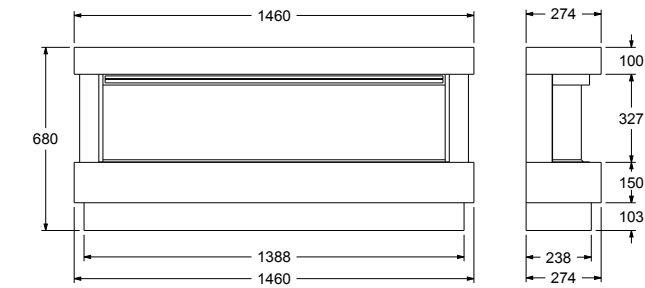
Dimensions: mm



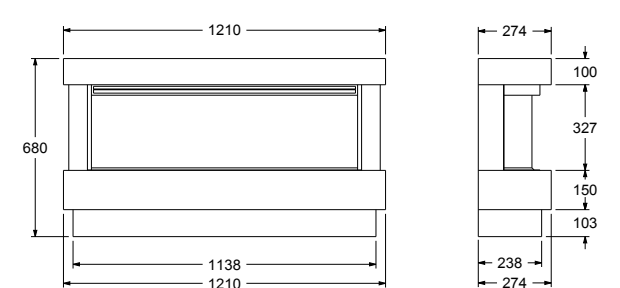
QUANTUM S1250



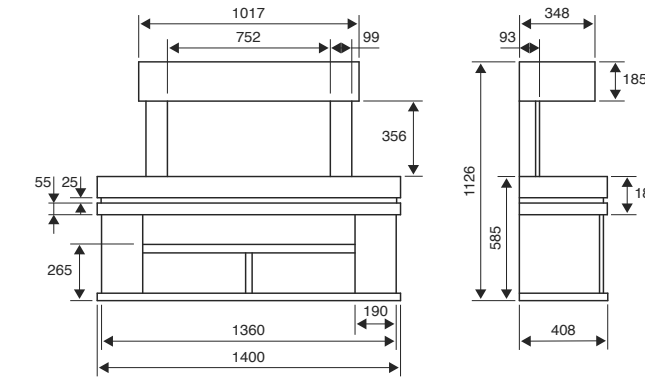
QUANTUM S1000



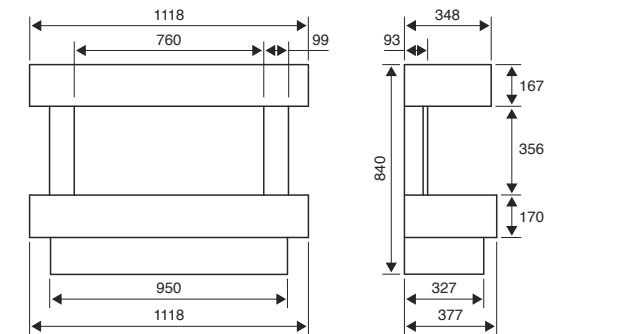
CASINO S1250



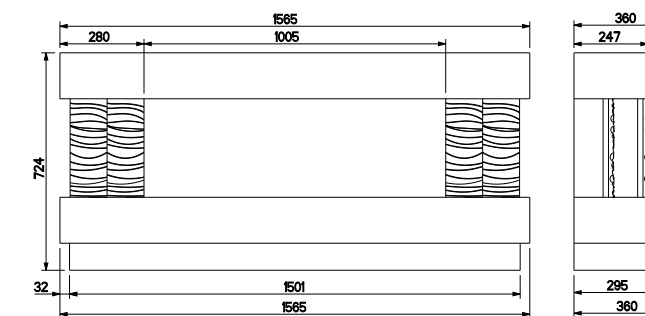
CASINO S1000



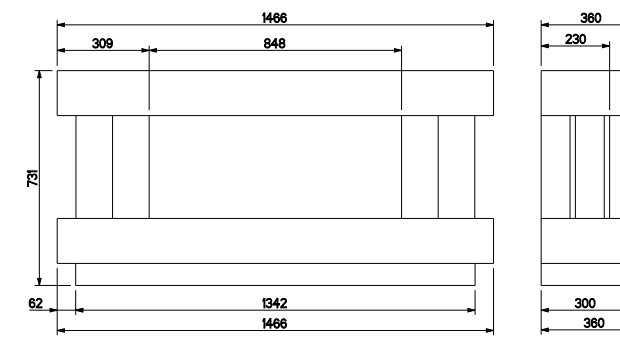
MEDIA 750



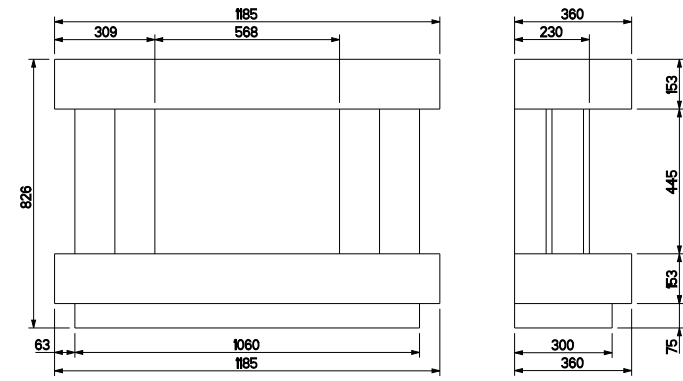
CARINO 750



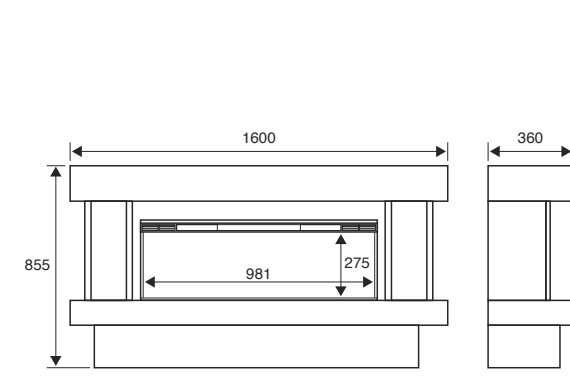
TORONTO 1000



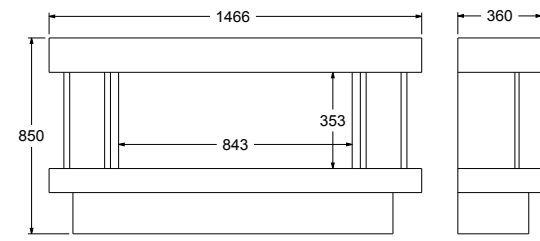
TORONTO 800



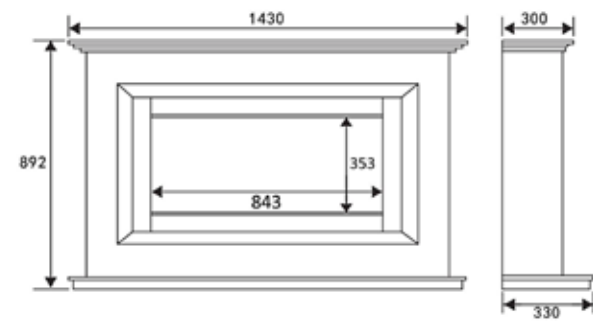
TORONTO S600



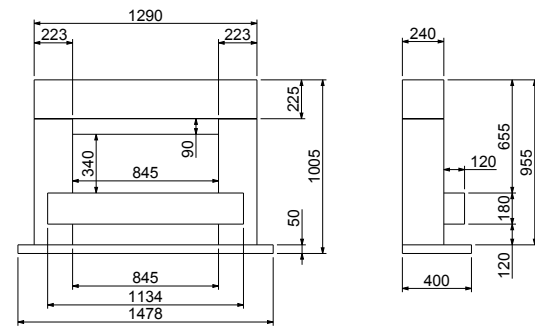
ORBITAL 1000



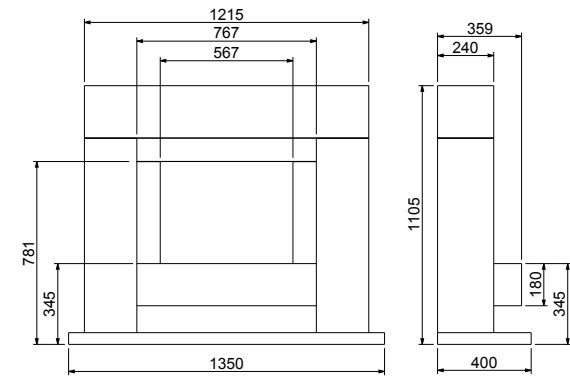
ORBITAL 800



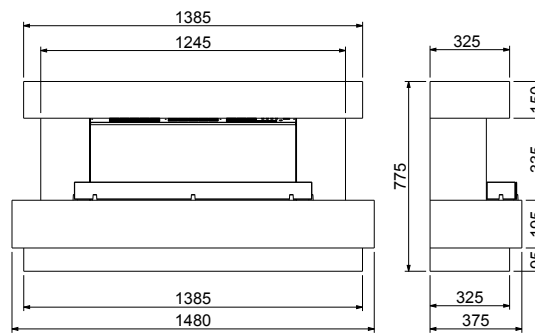
VEGA 800



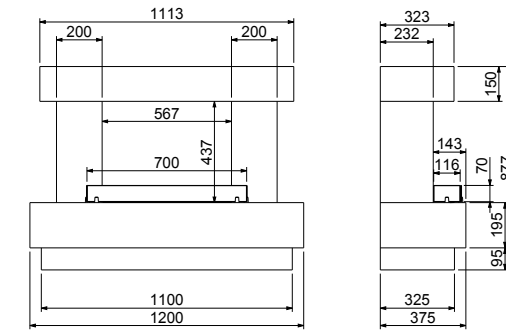
LUMINAIRE 800



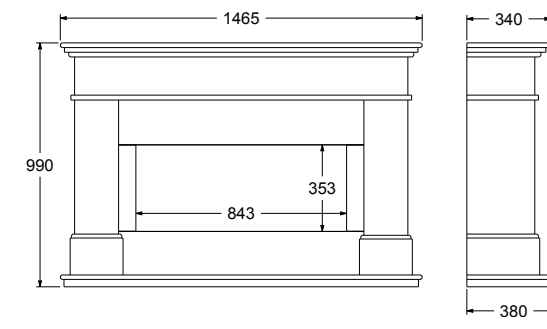
LUMINAIRE S600



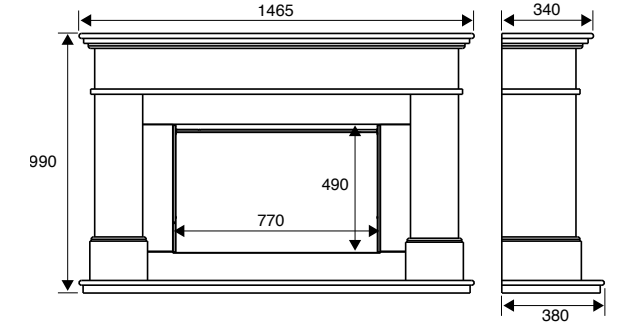
SKYFALL 800



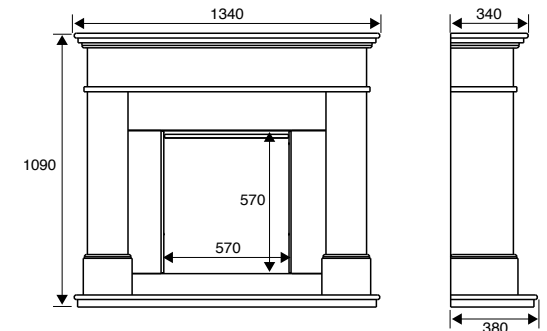
SKYFALL S600



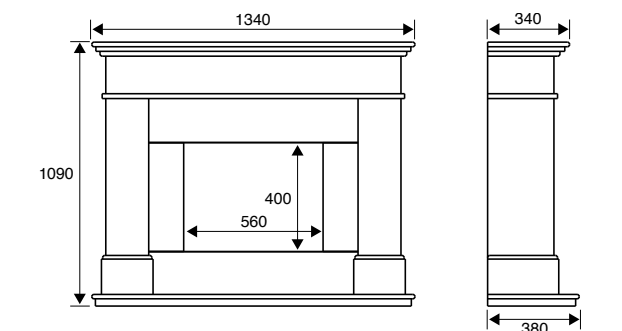
ADOUR ELITE 800



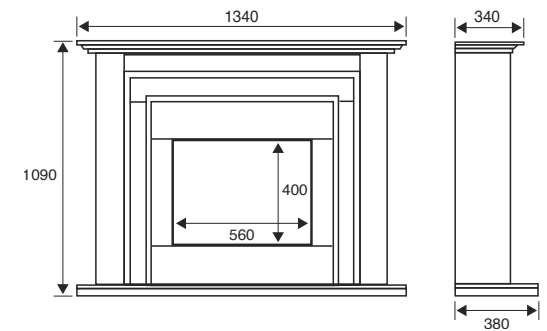
ADOUR ALEESIA S750



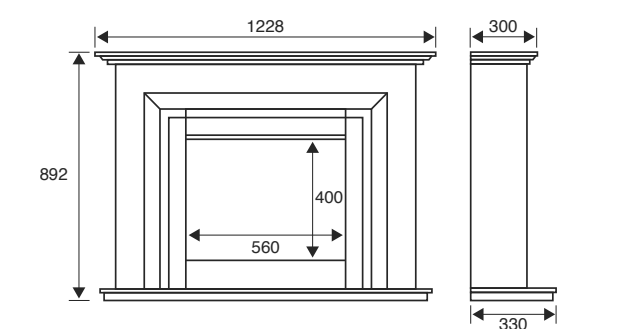
ADOUR ASENCIO S600XT



ADOUR S600

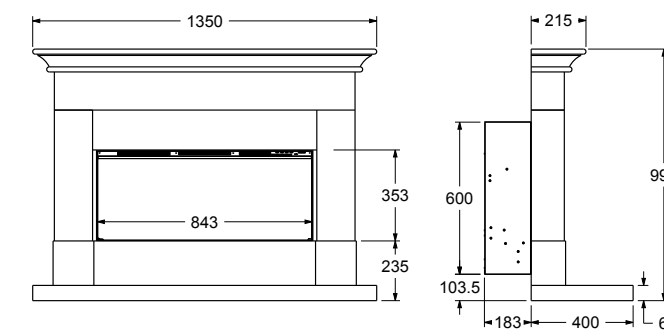


CANELO S600

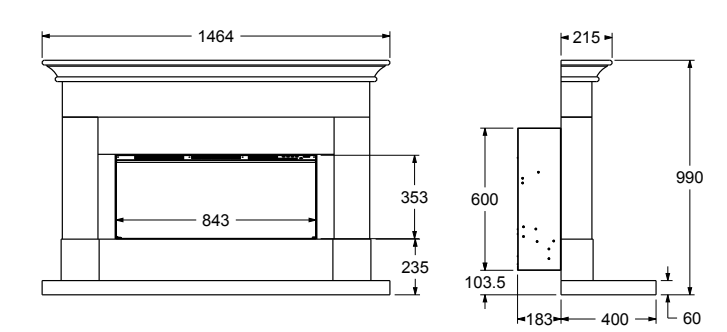


ELARA S600

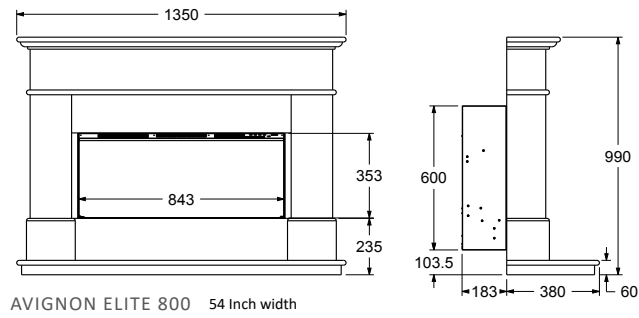
LIMESTONE SUITES



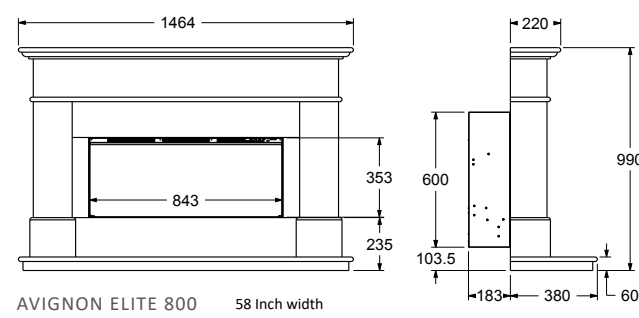
PARADA ELITE 800 54 Inch width



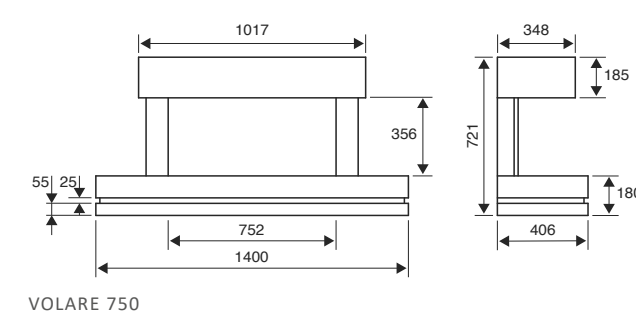
PARADA ELITE 800 58 Inch width



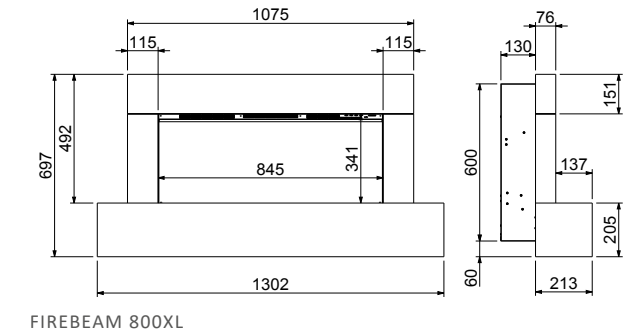
AVIGNON ELITE 800 54 Inch width



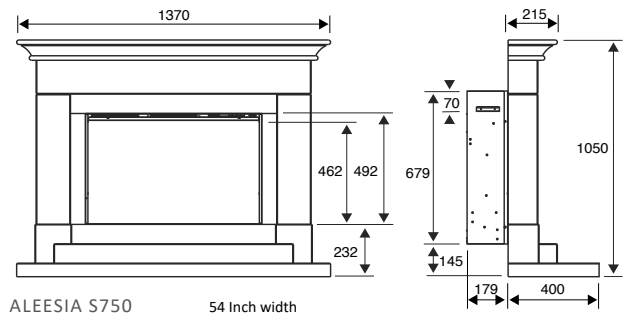
AVIGNON ELITE 800 58 Inch width



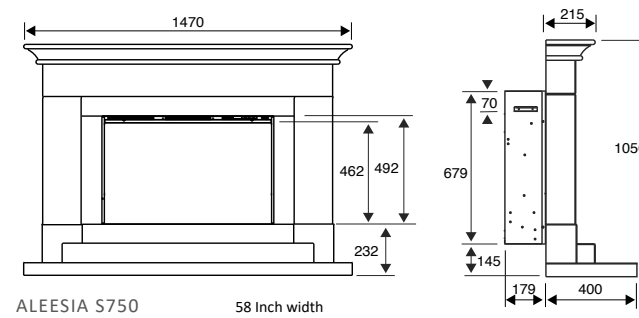
VOLARE 750



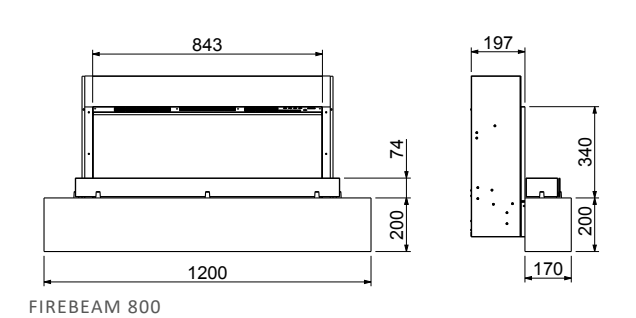
FIREBEAM 800XL



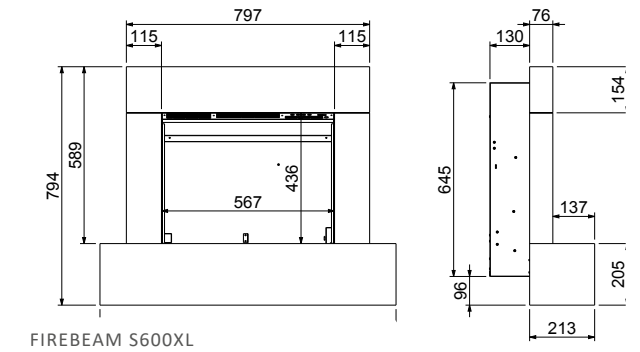
ALEESIA S750 54 Inch width



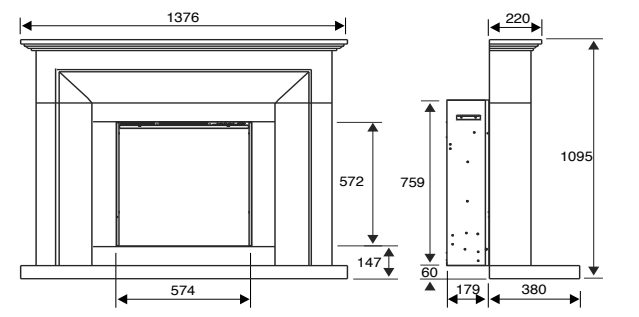
ALEESIA S750 58 Inch width



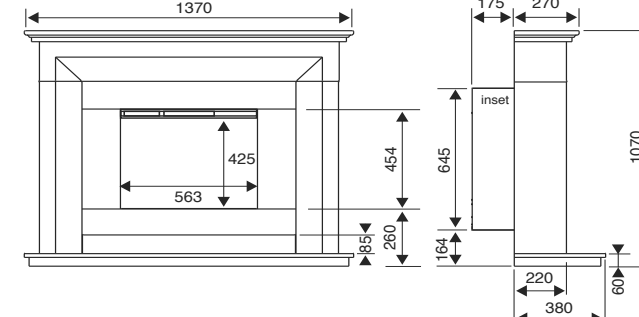
FIREBEAM 800



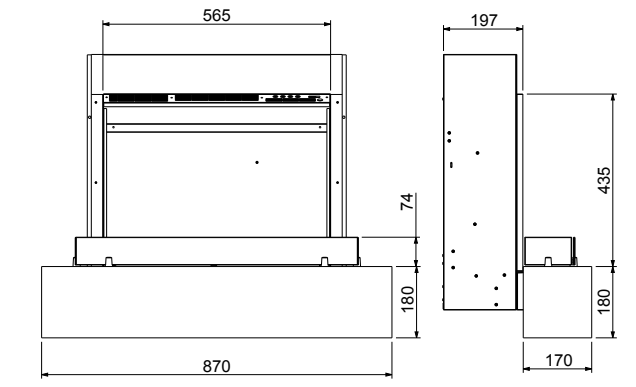
FIREBEAM S600XL



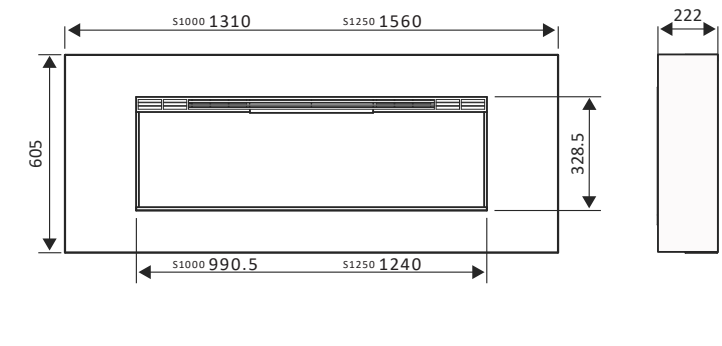
ASENCIO S600XT



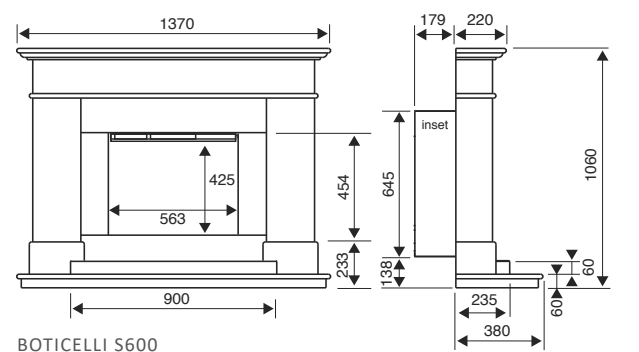
ANGELO S600



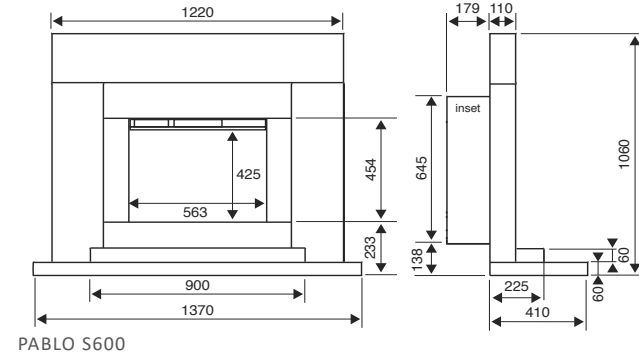
FIREBEAM S600



ROSETTA S1000/S1250

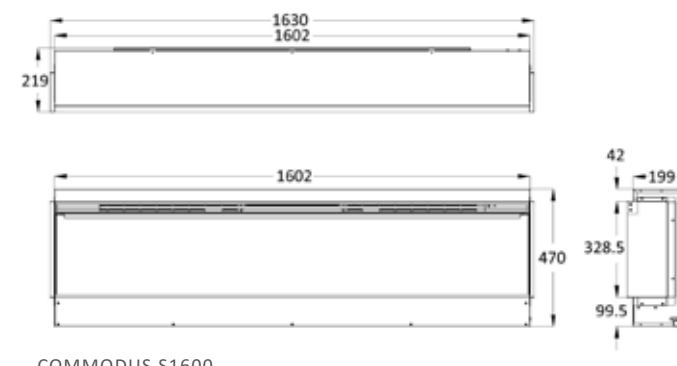


BOTICELLI S600

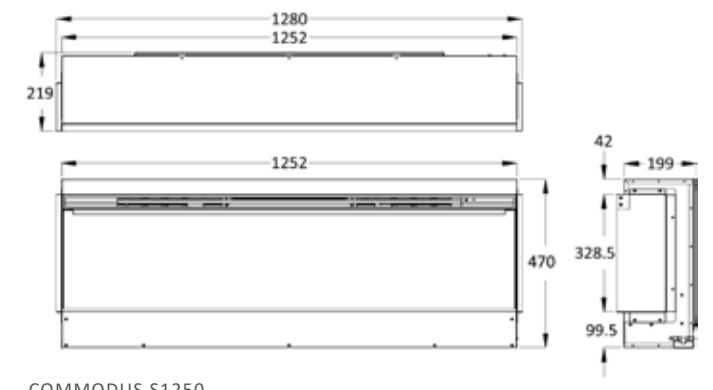


PABLO S600

BUILT-IN FIRES

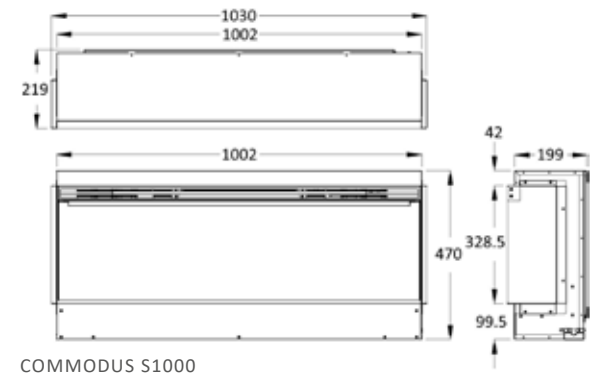


COMMODUS S1600

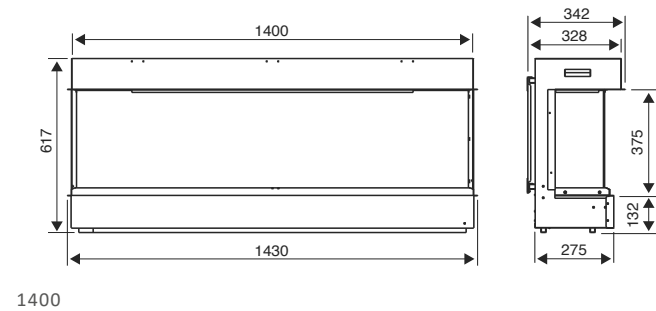


COMMODUS S1250

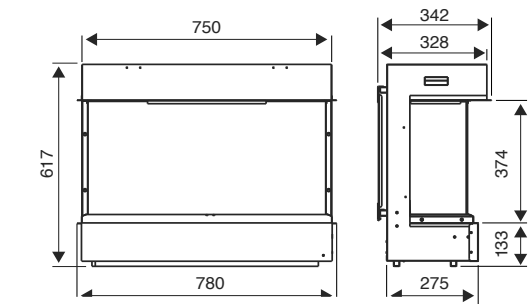
CONTINUED BUILT-IN FIRES



COMMODUS S1000

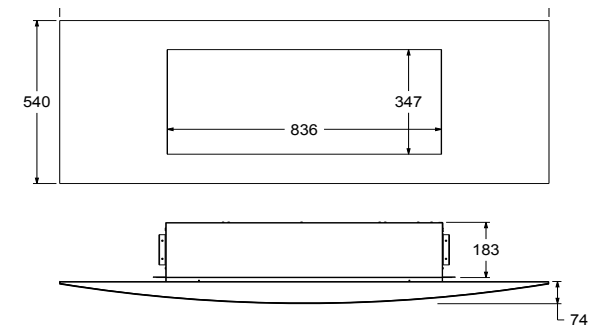


1400

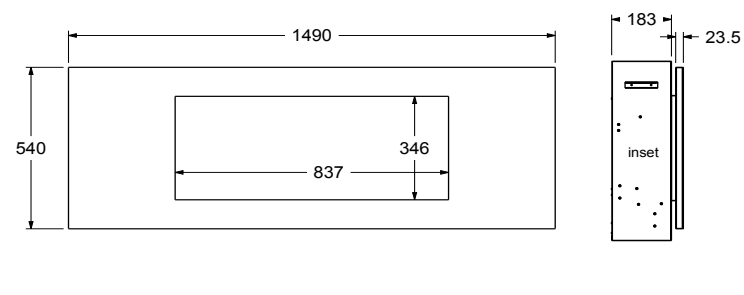


750

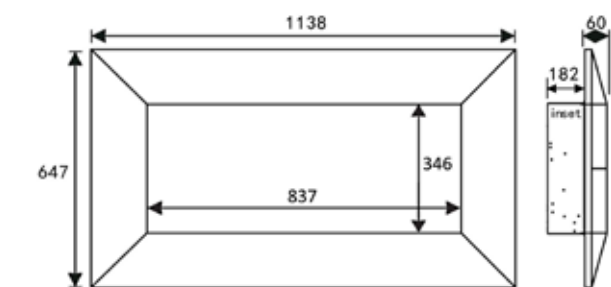
WALL INSET FIRES



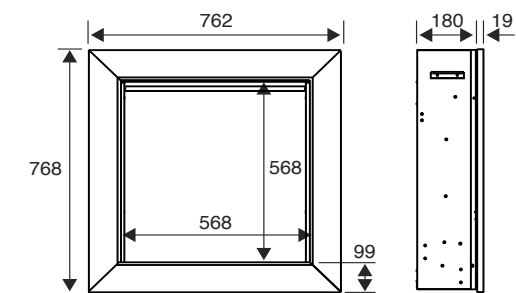
VICHY 800



METZ 800



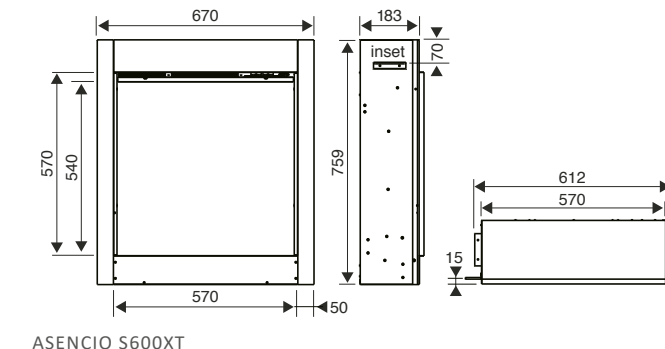
INSTINCT 800



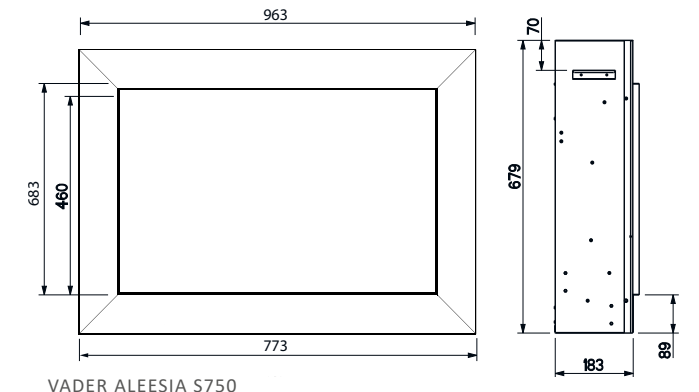
EVORA ASECIO S600XT

CONTINUED WALL INSET FIRES

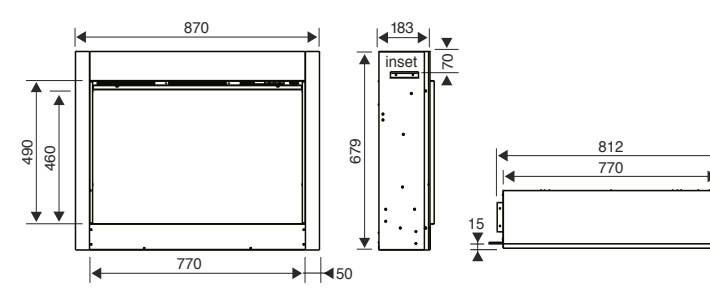
Dimensions: mm



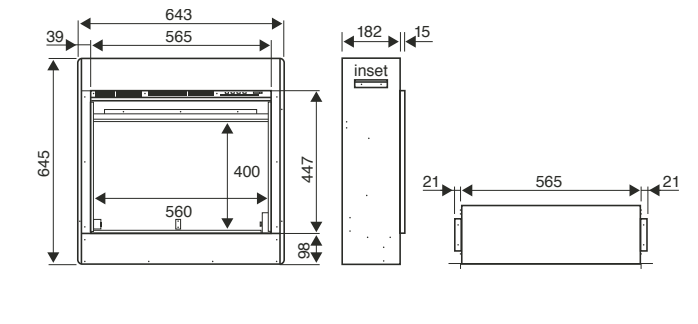
ASECIO S600XT



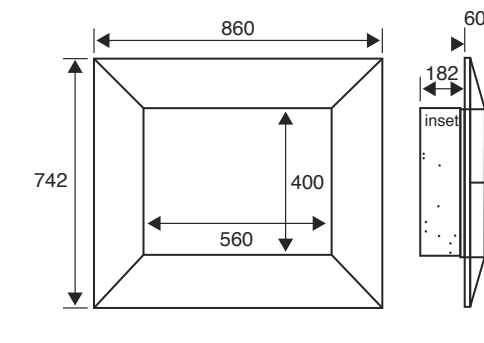
VADER ALEESIA S750



ALEESIA S750

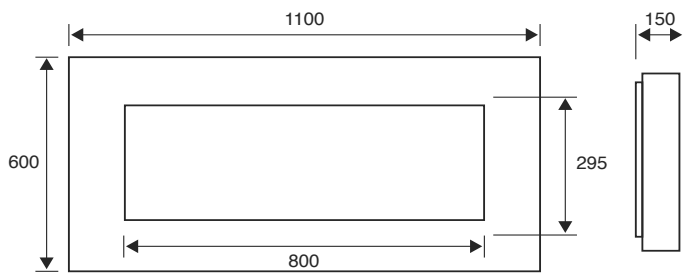


CELENA S600

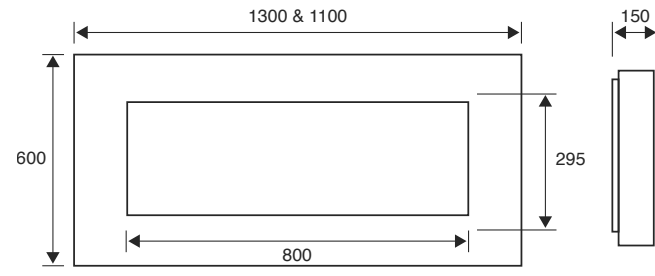


IMPULSE S600

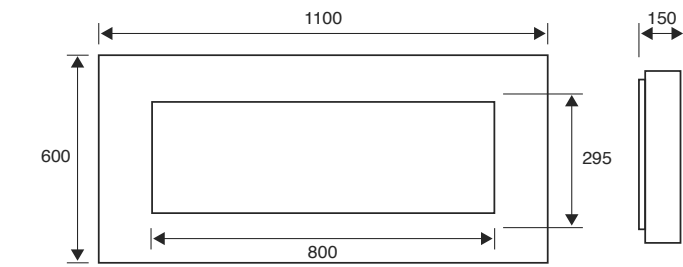
WALL MOUNTED FIRES



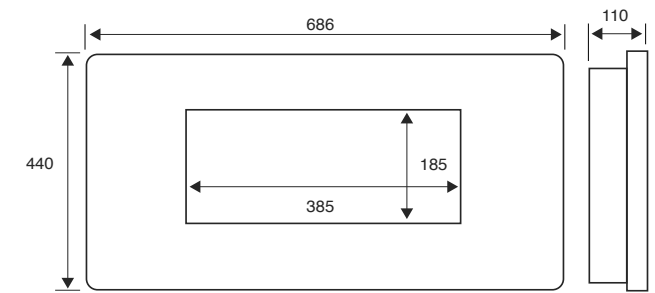
PRESTIGE 1100



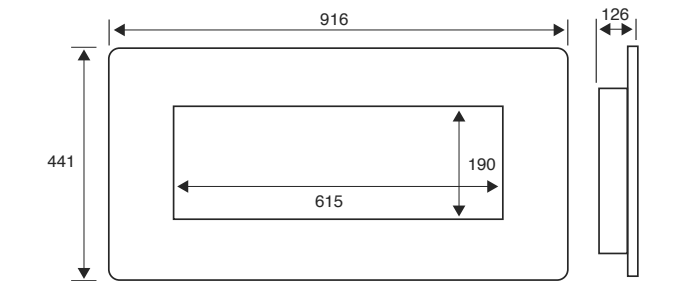
TRAVERTINE 1300/1100



ROYAL BOTTICINO 1100



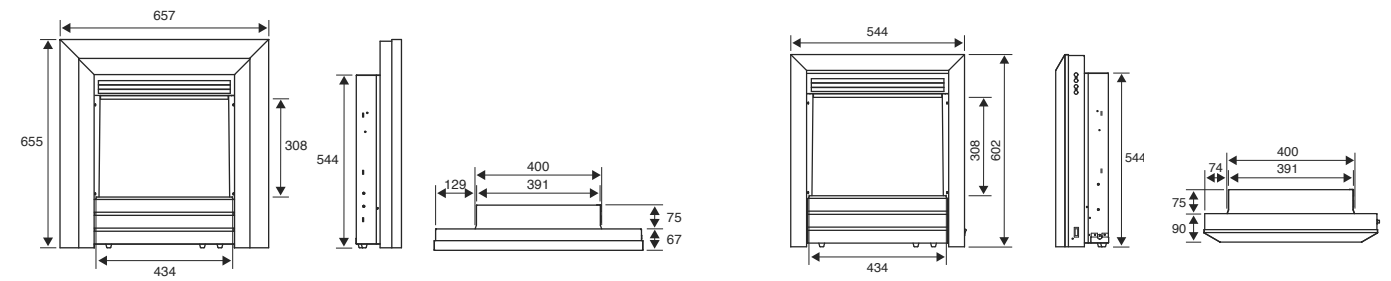
RAPTURE



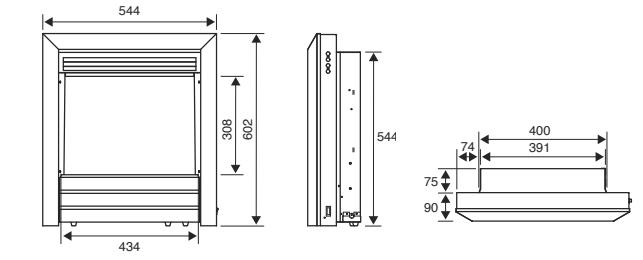
ENCHANT

HEARTH INSET FIRES

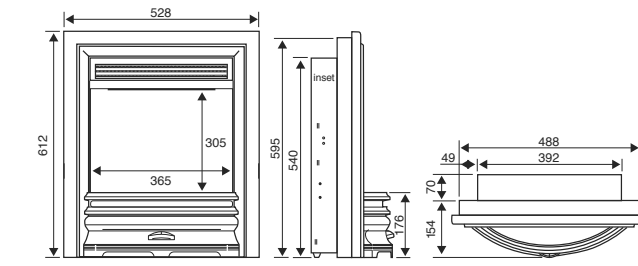
Dimensions: mm



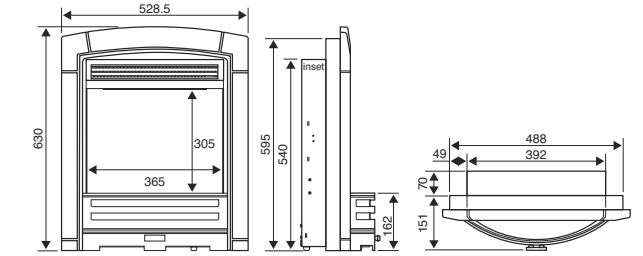
ACERO



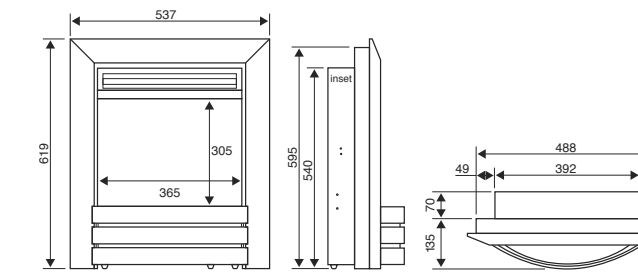
PARRILLA



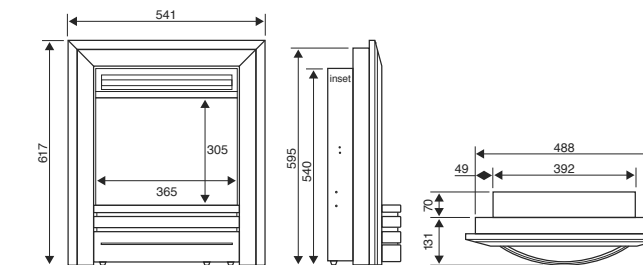
ARCADIA



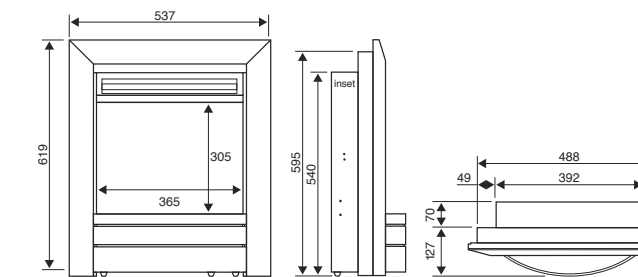
DECADENCE



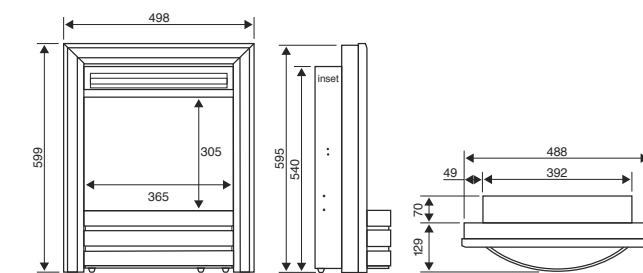
CAMBER



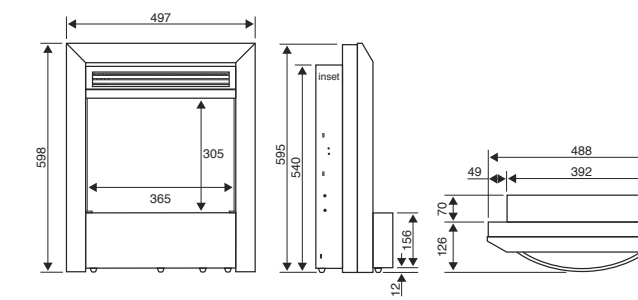
FRONTIER



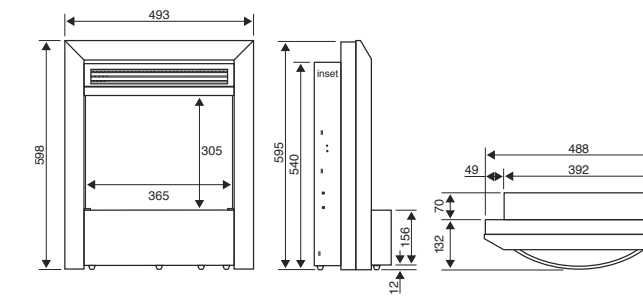
ESSENCE



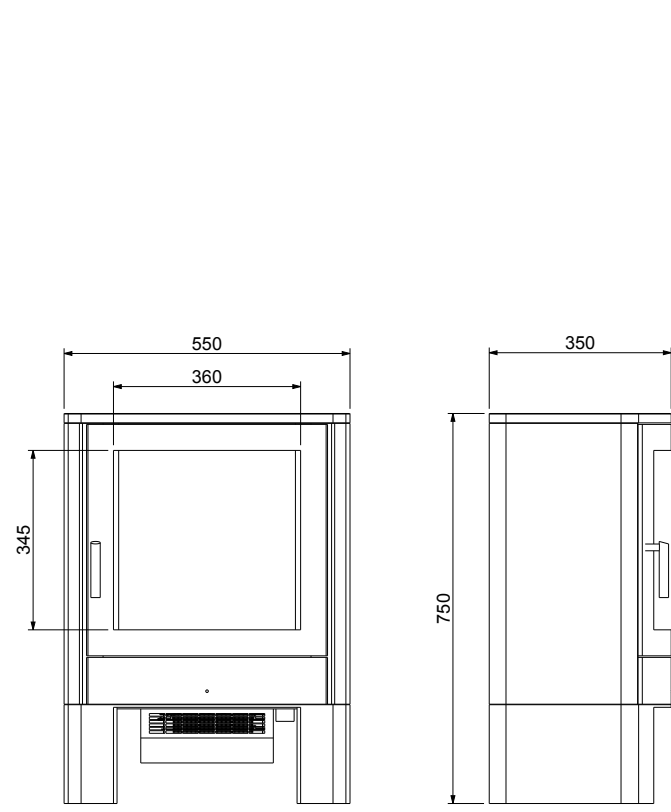
DESIGNER



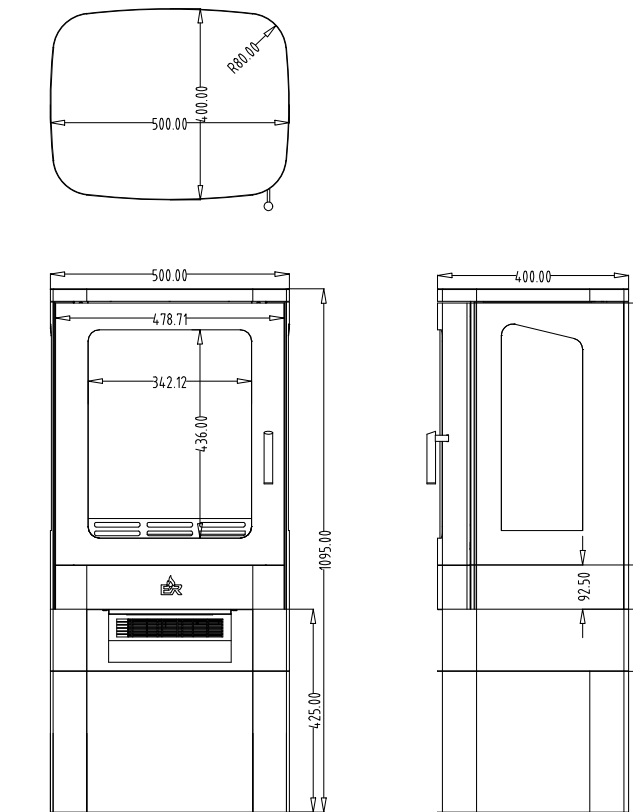
ENDURA



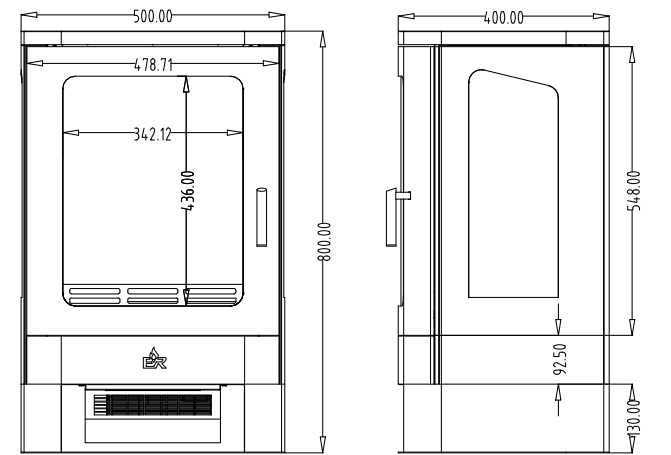
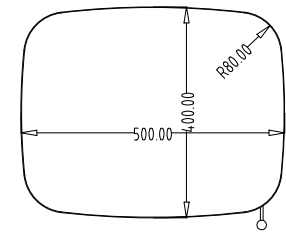
CONTEMPORARY



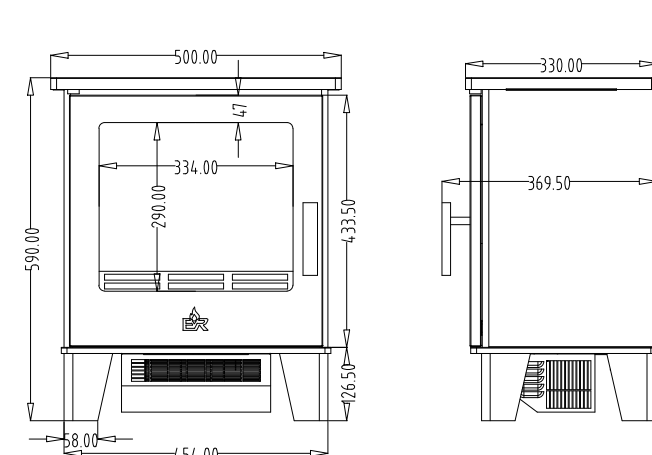
HOLOGRAM GENESIS



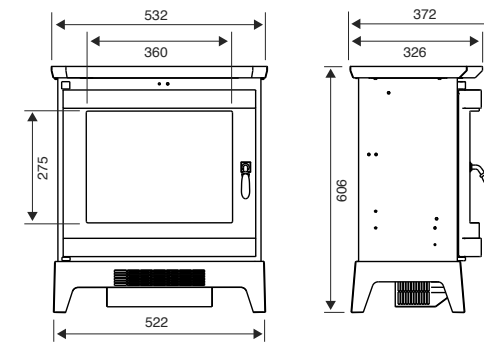
SPECTRE LS



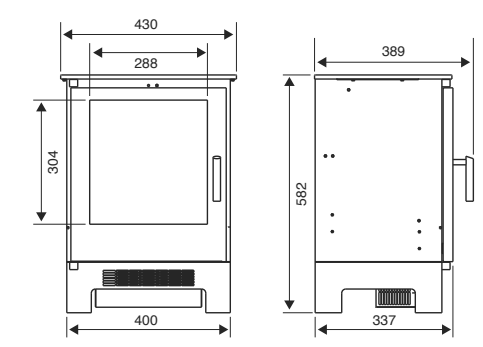
SPECTRE



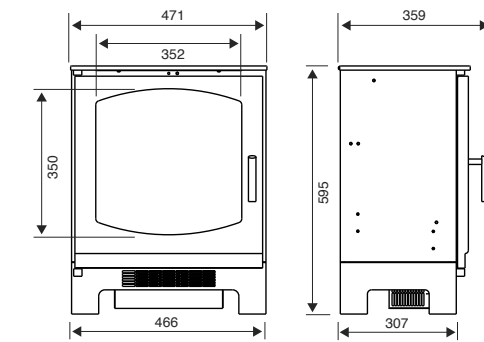
STRAFORD



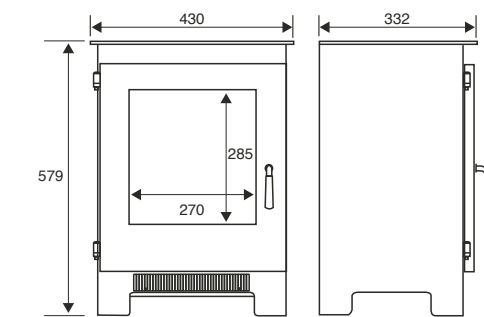
ROCHESTER



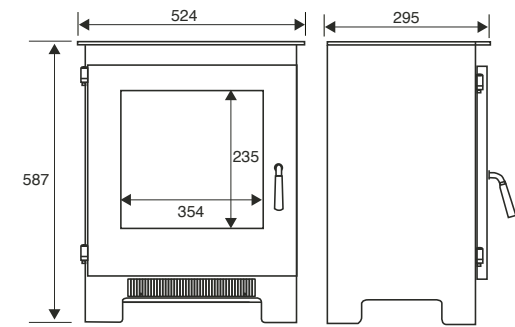
ARUNDEL



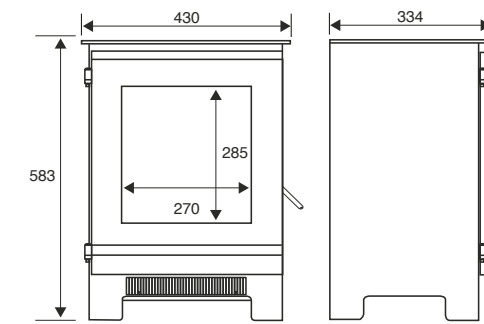
LUXIMA



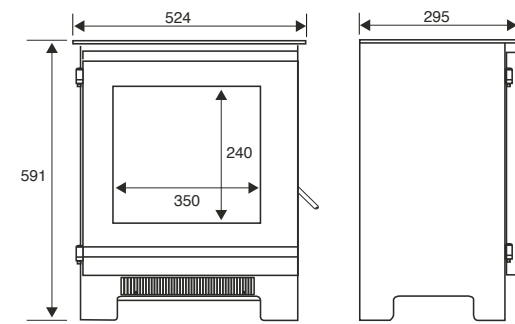
METAL 1



METAL 2



GLASS 1



GLASS 2



DISCLAIMER

Our policy is one of constant development and improvement. We therefore reserve the right to revise designs and specifications of our products without formal notice, patents pending. We always recommend our products be viewed in an approved showroom before purchase. Whilst we have taken every care in the preparation of this brochure it is not intended to replace the installation manual which provides more detailed information.

Photography is for illustration purposes only and although every effort has been made to ensure accurate reproduction of typical installations and flame pictures they may vary according to fire model and flue types.

We accept no liability for any loss or damage arising directly or indirectly from the use of this brochure.

We recommend that all our fires are used in conjunction with central heating and not as a primary source of heat.

In the interests of personal safety a suitable fireguard is recommended when children, the elderly and the infirm are present.

This brochure is copyright and must not be reproduced in whole or in any part without prior written permission.



BFM Europe Ltd, Gordon Banks Drive,
Trentham Lakes, Stoke-on-Trent ST4 4TJ

Tel: 01782 339000

Email: sales@bfm-europe.com

www.celsielectricfires.co.uk

Go direct to the Celsi website on your smart phone or tablet device and use the app to scan the black and white QR codes shown on each page. Alternatively, go to www.celsielectricfires.co.uk to browse all Celsi electric fires.

