

THE  
COLLECTION

---

by Michael Miller

7

---

YEAR WARRANTY



LEADING BY DESIGN

# THE COLLECTION

by Michael Miller

Beauty, warmth, a work of art... discover The Collection

---



When I imagine my ideal home, I see the perfect blend of form and function, with a fire at its heart that impresses with its design and innovation.

A fire is more than just a source of warmth; it's a statement of style that brings your home to life. That's why we've crafted this stunning collection of unique gas and electric fires designed to offer you the highest quality and superb energy efficiency. They not only look beautiful but work beautifully too.

I'm proud of The Collection and fully confident in its quality, reliability, and durability. That's why I offer a 7 year warranty on gas fires and a 5 year warranty on electric fires.

I hope you enjoy choosing your new fire.

A handwritten signature in black ink, appearing to read "Michael Miller".





## Contents

5	Introduction & guarantee	7	Product testing and certification
6	High efficiency gas fires	8	Deluxe Glass interiors

### GAS

10	Da Vinci Illumia MD Suites	60	Carmelo HE
12	Da Vinci Illumia Slimline BF Suite	62	Eden HE
14	Boticelli Illumia Slimline BF Suite	64	Luxe
16	Aleesia	66	Passion HE & BF
20	Aleesia Illumia Suite	68	Passion HE & BF Suites
24	Asencio	70	Passion HE & BF Accessories
28	Asencio Suite		
32	Celena		
34	Celena Slimline BF		
38	Boticelli Celena Suites		
40	Boticelli Celena Slimline BF Suite		
42	Angelo Celena Suites		
44	Pablo Celena Suite		
48	Eden Elite & Slimline BF		
52	Avignon Eden Elite & Slimline BF Suites		
56	Parada Elite & Slimline BF Illumia Suites		

### ELECTRIC

18	U-VR Aleesia S & Vader Aleesia S
22	U-VR Aleesia S Illumia Suite
26	U-VR Asencio S & Evora Asencio S
30	U-VR Asencio S Suite
36	U-VR Celena S & Impulse S
46	U-VR Celena S Suites
50	U-VR Elite & Instinct Elite
54	U-VR Avignon Elite Suites
58	U-VR Parada Elite Illumia Suites

72	Gas Fire Dimensions	80	Balanced Flue Installations
75	False Chimney Kits	82	Electric Fire Dimensions
76	Gas Suite Dimensions	83	Electric Suite Dimensions

### ONLINE VIDEO

Wherever you see this symbol, use the QR code scanner app on your smartphone or mobile device to watch a short video of this fire.

## Discover our Gas & Electric Fires & Suites

Transform your room with our stunning fires, available in elegant suites, sleek wall-inset designs, and easy-to-install models that require no chimney. Each fire starts as a concept from our R&D team, is approved by leading independent organizations, and crafted with care in our UK facility. Every fire undergoes strict quality checks. Choose from The Collection for a perfect blend of beauty, warmth, and cutting-edge technology.



Every gas fire comes with a 7 year warranty, subject to terms and conditions, offering you peace of mind for years to come. To ensure safe operation and optimal performance, we recommend all gas fires are installed and serviced by a Gas Safe Registered engineer.



Our premium range of Celsi electric fires provides versatile heating for any room in your home simply by plugging into the nearest mains socket. Discover our contemporary styles designed to look sensational and create comfortable controllable warmth.

We are confident you are getting a product that is built to last. That's why we offer a 3 Year warranty across our electric fires range, subject to terms and conditions.





## high efficiency

---

BFM Europe Ltd is renowned for efficient fires and now sets new standards with The Collection by Michael Miller, offering exceptional heat output and lower running costs.

All gas fires in this range feature a glass panel that directs radiant heat from the fuel bed into the room, reducing heat loss through the chimney. This radiant heat is combined with convected heat produced by cool air drawn into the fire through the heat exchanger, and emitted as warm air through the gap above the canopy. Making our gas fires some of the most efficient available.

Many fires in this range have a balanced flue system, perfect for homes without a built-in chimney or flue. These systems vent through an outside wall or roof, with options for horizontal or vertical flue kits, offering flexibility in fireplace location.

More information about balanced flue kits can be found on pages 80-81.



## Product Testing & Certification

---

All our gas fires are independently tested, approved and verified by the British Standards Institution (BSI) to meet the latest standards for performance, safety and efficiency.

BSI is an independent organisation. They are not owned by the government, industry or shareholders, which means that they can be totally objective with regards testing and certification. This gives their assessments more authority than those of an organization that has a vested interest in promoting its members.

They have some of the most experienced and knowledgeable staff in the world and are recognised internationally for their technical expertise, quality services and in-depth knowledge of gas and electrical product testing and certification.

The wide-ranging capability of their testing facilities and the broad expertise and knowledge of their testing and certification staff ensures our products are rigorously tested with the utmost integrity.



### ECODESIGN COMPLIANT

This logo signifies that the product is fully compliant with the Eco design directive Commission Regulation (EU) 2015/1188.



### CRAFTED IN BRITAIN

Every gas fire in The Collection by Michael Miller range is developed and manufactured in Britain at our purpose built state-of-the-art facility in Staffordshire.



### TESTED & APPROVED

Conforms to GB legislation



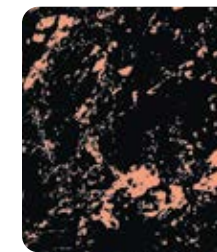


## A Touch of Class... Deluxe Glass

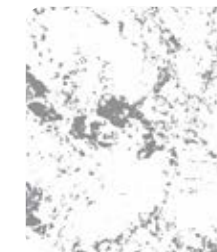
“Your choice from our Deluxe range is a pure reflection of your own desire and belief in high quality, style, sophistication and cutting edge design. My compliments on your choice and pursuit of excellence, a true reflection of class.”



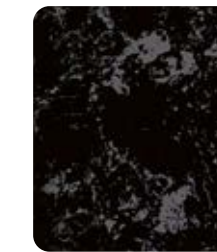
## DELUXE GLASS INTERIORS



Black & Marble Gold



White & Stone Grey



Black & Onyx Grey

Da Vinci   Aleesia   Asencio   Celena   Passion HE

Our exceptional range of products provide all the warmth, comfort, and style to be expected from high performance gas fires. This collection of exclusive Deluxe glass interiors introduce an additional layer of pure aesthetic luxury.







MM-44 INTEGRATED DUAL FLAME BURNER

## Da Vinci Illumia MD Gas Fire Suites

The Da Vinci mid-depth gas fire is now available in three limestone Illumia suites, the classically designed Da Vinci, Giuliano, and the more contemporary Monet, all sure to be the centre of attention in any home. The fire provides highly realistic logs, paired with the latest MM-44 dual burner technology, delivering log burning flame integration set against a black & onyx grey deluxe glass interior, or a beautiful black enamel interior.

These suites are available as conventional flue models, suitable for installation into any standard brick chimney or pre-fabricated flue, with a maximum heat output of 6.8kW. Each surround features controllable inset decorative lights, and the fire features include our multi-functional remote control system with thermostatic and timer functions. Non-reflective glass provides an exceptionally clear vision of this most natural and truly vibrant living flame gas fire.

\*A 240V mains electricity supply is required to power the remote control system.

### SPECIFICATION

		CONVENTIONAL FLUE
		Natural Gas
Useful energy efficiency		71.9%
Energy efficiency class		E
Direct heat output		6.8kW
Flue		Brick Chimney or pre-fabricated flue
Control		Multifunctional Remote Control
Da Vinci Suite Model Number	Black & Onyx Grey DLX Glass	DDCLNIRN3-BGY210
	Black Enamel	DDCLRBRN3210
Monet Suite Model Number	Black & Onyx Grey DLX Glass	DDCLNIRN3-BGY448
	Black Enamel	DDCLRBRN3448
Giuliano Suite Model Number	Black & Onyx Grey DLX Glass	DDCLNIRN3-BGY151
	Black Enamel	DDCLRBRN3151



GIULIANO ILLUMIA MD SUITE  
BLACK ENAMEL INTERIOR



MONET ILLUMIA MD SUITE  
BLACK ENAMEL INTERIOR







## Da Vinci Illumia Slimline

### Balanced Flue Gas Fire Suite

The stunning Da Vinci limestone surround is now available as a Slimline balanced flue suite. This highly efficient log effect gas fire can be easily installed in to most standard wall cavities and comes with a deep black enamel interior.

A non-reflective glass front provides a flawless view of the flame picture, whilst further complimented by the surrounds integrated exterior down-lights.

\*A 240V mains electricity supply is required to power the remote control system.



ZIG-ZAG FLAME BURNER TECHNOLOGY

#### SPECIFICATION

		SLIMLINE BALANCED FLUE
		Natural Gas
Useful energy efficiency		87.2%
Energy efficiency class		C
Direct heat output		4.3kW
Flue		Horizontal
Control		Multifunctional Remote Control
Suite Model Number	Black Enamel	DSBLEBRN310





## Boticelli Illumia Slimline

### Balanced Flue Gas Fire Suite

The Boticelli slimline balanced flue gas fire suite has been cleverly designed for easier installation in to most wall cavities without the need to build a false chimney breast to accommodate the depth of the engine. This suite also features a non-reflective glass front panel which is virtually invisible to the naked eye. The fire surround is made from Portuguese limestone and has integrated down-lights which are operated from the fires remote control handset.

\*A 240V mains electricity supply is required to power the remote control system.



ZIG-ZAG FLAME BURNER TECHNOLOGY

#### SPECIFICATION

		SLIMLINE BALANCED FLUE
		Natural Gas
Useful energy efficiency		87.2%
Energy efficiency class		C
Direct heat output		4.3kW
Flue		Horizontal
Control		Multifunctional Remote Control
Suite Model Number	Black Enamel	DSBLEBRN840







## Aleesia Gas Fires

The Aleesia is a highly efficient landscape gas fire that benefits from virtually invisible non-reflective glass, along with naturally detailed realistic logs.

Captivating flames flow throughout the fuel effect which is beautifully enhanced by a choice of interior liners made available in deluxe glass, or black enamel.

Fascias for this product are available in a dual metallic finish of Black Nickel & Black, or Black Nickel & Chrome.

This fire is operated by a multifunctional remote control system with thermostatic and timer functions allowing you to pre-set your desired room temperature and control when the fire turns on and off.

\*A 240V mains electricity supply is required to power the remote control system.

Battery conversion kit available.



BLACK & MARBLE GOLD DELUXE GLASS INTERIOR  
BLACK NICKEL & BLACK FASCIA



BLACK ENAMEL INTERIOR  
BLACK NICKEL & CHROME FASCIA

### SPECIFICATION

		CONVENTIONAL FLUE
		Natural Gas
Useful energy efficiency		74.8%
Energy efficiency class		E
Direct heat output		4.2kW
Flue		Brick Chimney or pre-fabricated flue
Control		Multifunctional Remote Control
Fire Model Number	Black & Onyx Grey DLX Glass	DDALNIRN-BGY
	Black & Marble Gold DLX Glass	DDALNIRN-BGD
	Black Enamel	DDALBERN







## U-VR Aleesia S & Vader Aleesia S Ultiflame VR Electric Fires

U-VR Aleesia S is a wall inset glass fronted electric fire displaying a bed of hot charcoal embers with tall flames and realistic natural log detail. This fire is available with a dual metallic fascia, with optional colour finishes in Black Nickel & Black, or Black Nickel & Chrome. Also available as a minimalistic fascia-less fire.

### Features

- Glass fronted fire
- Customisable fuel effect
- Woodland effect logs
- Charcoal embers
- 16 pre-set colours/100+ custom/Animation mode
- LED brightness control
- Thermostatic remote & manual control operation
- Amazon Alexa and Google Assistant compatible



**CELSI SMART APP**  
Feature-rich and simple to operate. Control your fire from your smart phone or tablet with full handset functionality.



VADER-BLACK NICKEL & CHROME FASCIA



FASCIA-LESS

### SPECIFICATION

		ELECTRIC
Heat output		0.8kW - 1.6kW
Control		Thermostatic Remote & Manual Control
Fire Model Number	Vader-Black Nickel & Black	CEULALRE-BNB
	Vader-Black Nickel & Chrome	CEULALRE-BNC
	Fascia-less	CEULALRE-RGB





## Aleesia Illumia Gas Fire Suites

The Aleesia Illumia features a classically styled Limestone surround with built in decorative lights. This efficient landscape gas fire benefits from virtually invisible non-reflective glass, along with naturally detailed realistic logs.

Captivating flames flow beautifully throughout the log fuel bed and is further enhanced by a choice of interior liners available in deluxe glass, or black enamel.

Operated by a multifunctional remote control system with thermostatic and timer functions, this fire allows you to pre-set your desired room temperature and control when it turns on and off.

Available surround widths are 58 inches, or 54 inch to fit smaller rooms or a narrow chimney breast.

\*A 240V mains electricity supply is required to power the remote control system.

Battery conversion kit available.



BLACK & ONYX GREY DELUXE GLASS INTERIOR



BLACK ENAMEL INTERIOR

### SPECIFICATION

		CONVENTIONAL FLUE
		Natural Gas
Useful energy efficiency		74.8%
Energy efficiency class		E
Direct heat output		4.2kW
Flue		Brick Chimney or pre-fabricated flue
Control		Multifunctional Remote Control
54" Suite Model Number	Black & Marble Gold DLX Glass	DDALNIRN-BGD331
	Black & Onyx Grey DLX Glass	DDALNIRN-BGY331
	Black Enamel	DDALBERN331
58" Suite Model Number	Black & Marble Gold DLX Glass	DDALNIRN-BGD068
	Black & Onyx Grey DLX Glass	DDALNIRN-BGY068
	Black Enamel	DDALBERN068







## U-VR Aleesia S Illumia

### Ultiflame VR Electric Suites

U-VR Aleesia S Illumia features a classically styled Limestone surround with integrated decorative LED down lights.

Operated by a remote control system with thermostatic and timer functions, this fire allows you to pre-set your desired room temperature and control when it turns on and off.

This suite is available in 58, and 54 inch widths to accommodate a smaller room, or a narrow chimney breast.

#### Features

- Glass fronted fire
- Customisable fuel effect
- Woodland effect logs
- Charcoal embers
- 16 pre-set colours/100+ custom/Animation mode
- LED brightness control
- Thermostatic remote & manual control operation
- Amazon Alexa and Google Assistant compatible
- Available in two sizes



#### CELSI SMART APP

Feature-rich and simple to operate. Control your fire from your smart phone or tablet with full handset functionality.



COLOUR SMART CONTROL

#### SPECIFICATION

		ELECTRIC
Heat output		0.8kW - 1.6kW
Control		Thermostatic Remote & Manual Control
Suite Model Number	58" Suite	CEULALS8RE
	54" Suite	CEULALS4RE





## Asencio Gas Fires

The Asencio gas fire has been designed to look beautiful and perform brilliantly. Accommodating tall flowing flames ascending from natural appearance logs, this fire provides a sensational fuel effect showcase for your living area.

A thermostatic remote control system allows you to select the times you want the fire to automatically turn on or off with pre-set temperature functionality to select your desired heating comfort level.

Featuring non-reflective glass this highly efficient gas fire has a direct heat output of 4.0kW, and is available with a choice deluxe glass, or black enamel interior liners.

Installation is suitable for most standard chimneys.



BLACK & MARBLE GOLD DELUXE GLASS INTERIOR  
MATTE BLACK FASCIA



BLACK ENAMEL INTERIOR  
CHROME FASCIA

### SPECIFICATION

		CONVENTIONAL FLUE
		Natural Gas
Useful energy efficiency		77.1%
Energy efficiency class		D
Direct heat output		4.0kW
Flue		Brick Chimney or pre-fabricated flue
Control		Fully Automatic Remote with Thermostatic Control
Fire Model Number	Black & Onyx Grey DLX Glass	DDCLNIRN2-BGY
	Black & Marble Gold DLX Glass	DDCLNIRN2-BGD
	Black Enamel	DDCLBERN2







## U-VR Asencio S & Evora Asencio S Ultiflame VR Electric Smart Fires

Evora Asencio S is a glass-fronted wall inset electric fire featuring a stylish Black Nickel & Chrome steel fascia. This fire comes with Smart connection capability and innovative technology. The fuel bed effects consists of authentically designed woodland logs placed over a perception of hot charcoal embers.

This fire is also available as a minimalistic fascia-less option.

### Features

- Glass fronted fire
- Customisable fuel effect
- Woodland effect logs
- Charcoal embers
- 16 pre-set colours/100+ custom/Animation mode
- LED brightness control
- Thermostatic remote & manual control operation
- Amazon Alexa and Google Assistant compatible



### CELSI SMART APP

Feature-rich and simple to operate. Control your fire from your smart phone or tablet with full handset functionality.



FASCIA-LESS

### SPECIFICATION

		ELECTRIC
Heat output		0.8kW - 1.6kW
Control		Thermostatic Remote & Manual Control
Fire Model	Evora-Black Nickel & Chrome	CEULASRE-FAS
Number	Fascia-less	CEULASRE-RGB







## Asencio Suite Gas Fire Suites

Straight lines and soft curves adorn this Limestone surround creating modern aesthetics that is further complemented when teamed with the tastefully designed Asencio gas fire.

This contemporary suite combination is a firm favourite for homeowners seeking a luxurious and impressive high performance fireplace.

Featuring non-reflective glass and 4.0kW of heat output, this fire comes with a choice of deluxe glass, or black enamel interior liners.



BLACK & ONYX GREY DELUXE GLASS INTERIOR



BLACK ENAMEL INTERIOR

### SPECIFICATION

		CONVENTIONAL FLUE
		Natural Gas
Useful energy efficiency		77.1%
Energy efficiency class		D
Direct heat output		4.0kW
Flue		Brick Chimney or pre-fabricated flue
Control		Fully Automatic Remote with Thermostatic Control
Suite Model Number	Black & Onyx Grey DLX Glass	DDCLNIRN2-BGY971
	Black & Marble Gold DLX Glass	DDCLNIRN2-BGD971
	Black Enamel	DDCLBERN2971





## U-VR Asencio S

### Ultiflame VR Electric Smart Suite

The Ultiflame VR Asencio S Suite features a stunning Portuguese Limestone surround, housing the contemporary inset Smart electric fire. This innovative technology provides a deep fuel bed with supremely detailed ceramics that capture the authentic shape and texture of natural logs placed over a perception of hot charcoal embers.

At the touch of a button this fire creates beautiful flowing flames and relaxing comfortable warmth, much as you would expect from an open fire experience. For a modern and elegant electric fireplace, the Ultiflame VR Angelo S Suite will enhance both your living space whilst creating a relaxing home lifestyle.

#### Features

- Gas fronted fire
- Customisable fuel effect
- Woodland effect logs
- Charcoal embers
- 16 pre-set colours/100+ custom/Animation mode
- LED brightness control
- Thermostatic remote & manual control operation
- Amazon Alexa and Google Assistant compatible



#### CELSI SMART APP

Feature-rich and simple to operate. Control your fire from your smart phone or tablet with full handset functionality.



#### SPECIFICATION

	ELECTRIC
Heat output	0.8kW - 1.6kW
Control	Thermostatic Remote & Manual Control
Suite Model Number	CEULASSRE



WOODLAND EFFECT LOGS







## Celena Gas Fires

The Celena gas fire has been designed with perfect proportions to give you a large flame viewing area yet still enable installation in to most standard chimneys.

This highly efficient glass fronted fire has a direct heat output of up to 3.9kW. It is operated by a fully automatic remote control system which allows you to select the times you want the fires to automatically turn on and turn off and includes a thermostatic setting to allow you to pre-set your desired room temperature.



BLACK ENAMEL INTERIOR  
CHROME FASCIA



RUSTIC BRICK INTERIOR  
BRASS FASCIA



CREAM VERMICULITE INTERIOR  
MATTE BLACK FASCIA

### SPECIFICATION

		CONVENTIONAL FLUE	
		Natural Gas	LPG
Useful energy efficiency		79.3%	78.5%
Energy efficiency class		D	D
Direct heat output		3.8kW	3.9kW
Flue		Brick Chimney or pre-fabricated flue	
Control		Fully Automatic Remote with Thermostatic Control	
Fire Model Number	White & Stone Grey DLX Glass	DPRLNIRN2B-WB	DPRLNIRP2B-WB
	Black Enamel	DPRLBERN2B	DPRLBERP2B
	Rustic Brick	DPRLBBRN2B	-
	Cream Vermiculite	DPRLTVRN2B	-





## Celena Slimline

### Balanced Flue Gas Fire

Boasting a 89.3% energy efficiency performance with a 3.4kW heat output, this gas fire comes with natural appearance ceramic logs set against a glossy black enamel interior.

This fire is glass fronted and operated by fully automatic remote control. This system includes a thermostatic setting to allow for desired pre-set room temperature.

Designed for installation into homes without a standard chimney or flue.

\*Requires a spacer when installing into a standard cavity wall.



BLACK NICKEL & CHROME FASCIA



BRASS FASCIA



MATTE BLACK FASCIA



#### SPECIFICATION

		SLIMLINE BALANCED FLUE
		Natural Gas
Useful energy efficiency		89.3%
Energy efficiency class		B
Direct heat output		3.4kW
Flue		Horizontal
Control		Fully Automatic Remote with Thermostatic Control
Model Number	Black Enamel	DCBLBERNB2

\*80mm Spacer 1184-1001079A





## U-VR Celena S & Impulse S

### Ultriflame VR Electric Smart Fires

With perfect proportions the U-VR Celena S provides a contemporary minimalist solution for a modern frameless inset fireplace.

Smart Technology enabled and feature-rich this fire looks and performs sensationally. Bright lively flames and woodland effect logs create instant attraction, along with room warming controlability.

To create a bolder statement this stunning virtual reality fire can also be combined with our Impulse S metallic fascia options, available in a choice of two colour finishes, Satin Silver, and Satin Black.

#### Features

- Open fronted fire
- Customisable fuel effect
- Woodland effect logs
- Charcoal embers
- 16 pre-set colours/100+ custom/Animation mode
- LED brightness control
- Thermostatic remote & manual control operation
- Amazon Alexa and Google Assistant compatible



**CELSI SMART APP**  
 Feature-rich and simple to operate. Control your fire from your smart phone or tablet with full handset functionality.



#### SPECIFICATION

		ELECTRIC
Heat output		0.8kW - 1.6kW
Control		Thermostatic Remote & Manual Control
Fire Model Number	Impulse-Satin Silver	CESS22RE-RGB
	Impulse-Satin Black	CEBC22RE-RGB
	Celena S Framless	CEUL22RE-RGB



IMPULSE S-SATIN SILVER FASCIA



CELENA S FRAMELESS







## Boticelli Celena Suite

### Gas Fire Suites

The Boticelli Celena suite is designed to perfectly complement homes with traditional or modern styling. The surround features include pilaster legs with plinths, rolled edge framed mantle, and hearth with step detail. This suite is available in natural Limestone, or a popular combination of Limestone and Black Granite.

Your choice of surround is then companioned with the perfectly proportioned Celena gas fire, a highly efficient glass fronted fire with a direct heat output up to 3.9kW.

This fire features a realistic raised chunky log fuel effect, and is operated by fully automatic thermostatic remote-control system, allowing you to automatically turn the appliance on and off at the time of your choice, with pre-set room temperature selection.



LIMESTONE  
RUSTIC BRICK INTERIOR



LIMESTONE  
BLACK ENAMEL INTERIOR



LIMESTONE  
CREAM VERMICULITE INTERIOR

### SPECIFICATION

		CONVENTIONAL FLUE	
		Natural Gas	LPG
Useful energy efficiency		79.6%	78.5%
Energy efficiency class		D	D
Direct heat output		3.8kW	3.9kW
Flue		Brick Chimney or pre-fabricated flue	
Control		Fully Automatic Thermostatic Remote Control	
Limestone Suite Model Number	White & Stone Grey DLX Glass	DPRLNIRN2B-WG629	DPRLNIRP2B-WG629
	Black Enamel	DPRLBERN2B629	DPRLBERP2B629
	Rustic Brick	DPRLBBRN2B629	-
	Cream Vermiculite	DPRLTVRN2B629	-
Limestone & Black Granite Suite Model Number	White & Stone Grey DLX Glass	DPRLNIRN2B-WG467	DPRLNIRP2B-WG467
	Black Enamel	DPRLBERN2B467	DPRLBERP2B467
	Rustic Brick	DPRLBBRN2B467	-
	Cream Vermiculite	DPRLTVRN2B467	-



## Boticelli Celena Slimline

### Balanced Flue Suite

The Boticelli Celena balanced flue suite, made from Portuguese Limestone is beautifully designed to include pilaster legs with plinths, and smooth rolled edged mantle and hearth.

At the heart of this surround lies the glass fronted Celena BF gas fire. Its black enamel interior lining creates the perfect contrast against bright flowing flames and realistic ceramic logs, providing a showcase feature fireplace for your home.

Operated by a fully automatic remote-control, this system includes a thermostatic setting to allow for desired pre-set room temperature.



NATURAL LOGS AESTHETICS

#### SPECIFICATION

		SLIMLINE BALANCED FLUE
		Natural Gas
Useful energy efficiency		89.3%
Energy efficiency class		B
Direct heat output		3.4kW
Flue		Horizontal
Control		Fully Automatic Thermostatic Remote Control
Model Number	Black Enamel	DCBLBERNB720







CREAM VERMICULITE INTERIOR

## Angelo Celena Gas Fire Suites

The Angelo suite is a modern design crafted from high quality Portuguese Limestone and features a combination of straight lines and soft curves with an attractive contemporary step hearth design. There is also a stunning combined Portuguese Limestone and Black Granite option to suit those who desire a sensational contrasting finish.

At the heart of this suite, you'll be quite at home with the highly efficient Celena gas fire, with a glass front and a beautiful log fuel effect boasting 79.6% energy efficiency. Operated by fully automatic remote control, this system allows you to select the times you want the fires to automatically turn on and turn off and includes a thermostatic setting to allow for desired pre-set room temperature.



LIMESTONE  
RUSTIC BRICK INTERIOR



LIMESTONE & BLACK GRANITE  
WHITE & STONE GREY DELUXE GLASS INTERIOR

### SPECIFICATION

		CONVENTIONAL FLUE	
		Natural Gas	LPG
Useful energy efficiency		79.6%	78.5%
Energy efficiency class		D	D
Direct heat output		3.8kW	3.9kW
Flue		Brick Chimney or pre-fabricated flue	
Control		Fully Automatic Remote with Thermostatic Control	
Limestone Suite Model Number	White & Stone Grey DLX Glass	DPRLNIRN2B-WG347	DPRLNIRP2B-WG347
	Black Enamel	DPRLBERN2B347	DPRLBERP2B347
	Rustic Brick	DPRLBBRN2B347	-
	Cream Vermiculite	DPRLTVRN2B347	-
Limestone & Black Granite Suite Model Number	White & Stone Grey DLX Glass	DPRLNIRN2B-WG829	DPRLNIRP2B-WG829
	Black Enamel	DPRLBERN2B829	DPRLBERP2B829
	Rustic Brick	DPRLBBRN2B829	-
	Cream Vermiculite	DPRLTVRN2B829	-





BLACK ENAMEL INTERIOR

## Pablo Celena Gas Fire Suites

For simplistic fireplace aesthetics, the Pablo Celena suite is the perfect choice. The sleek, minimalist styling and clean straight lines deliver impact and noticeable prominence. Made from the finest quality Portuguese Limestone this surround perfectly frames the high performance Celena gas fire.

This glass fronted fire features a beautiful log fuel effect with up to 79.6% energy efficiency. Operated by fully automatic remote-control, this system allows you to select the times you want the fires to automatically turn on and turn off, and includes a thermostatic setting to allow for desired pre-set room temperature.



WHITE & STONE GREY DELUXE INTERIOR



CREAM VERMICULITE INTERIOR

### SPECIFICATION

	CONVENTIONAL FLUE		
	Natural Gas	LPG	
Useful energy efficiency	79.6%	78.5%	
Energy efficiency class	D	D	
Direct heat output	3.8kW	3.9kW	
Flue	Brick Chimney or pre-fabricated flue		
Control	Fully Automatic Remote with Thermostatic Control		
Suite Model Number	White & Stone Grey DLX Glass	DPRLNIRN2B-WG968	DPRLNIRP2B-WG968
	Black Enamel	DPRLBERN2B968	DPRLBERP2B968
	Rustic Brick	DPRLB8RN2B968	-
	Cream Vermiculite	DPRLTVRN2B968	-





## U-VR Celena S

### Ultriflame VR Electric Suites

The perfect proportions of the 22 inch U-VR Celena S electric fire are combined with three of our finest quality Portugese Limestone surrounds. **Boticelli, Angelo, Pablo.**

#### Features

- Open fronted fire
- Customisable fuel effect
- Woodland effect logs
- Charcoal embers
- 16 pre-set colours/100+ custom/Animation mode
- LED brightness control
- Thermostatic remote & manual control operation
- Amazon Alexa and Google Assistant compatible



**U-VR ANGELO S SUITE**  
A modern surround crafted with a combination of straight lines and soft curves, including a contemporary step hearth design.



**U-VR PABLO S SUITE**  
A more simplistic surround aesthetic, and the perfect choice for minimalist styling with clean straight lines to create an impression.



**CELSI SMART APP**  
Feature-rich and simple to operate. Control your fire from your smart phone or tablet with full handset functionality.



#### SPECIFICATION

		ELECTRIC
Heat output		0.8kW - 1.6kW
Control		Thermostatic Remote & Manual Control
Suite	U-VR Boticelli S Suite	CEULAVRE-RGB
Model	U-VR Angelo S Suite	CEULLIRE-RGB
Number	U-VR Pablo S Suite	CEULSRE-RGB



**U-VR BOTICELLI S SUITE**  
Designed to perfectly complement homes with traditional or modern styling. Featuring pilaster legs with plinths, rolled edge framed mantel, and hearth with step detail.





## Eden Elite & Slimline BF Conventional & Balanced Flue Gas Fires

The Eden Elite showcases rustic natural effect logs with lively flames and burning embers aesthetics. This slimline conventional flue wall inset fire is designed to be easily installed into almost any chimney, and is operated by a thermostatic remote control system to perfectly control your level of warmth and comfort.

This luxury fire comes with non-reflective glass and black enamel interior lining and can be fitted with or without a fascia. Our designer Panoramic Provence fascia, made from cast aluminium finished in matt black is a stunning new edition for this product. We also have a choice of two Slimline fascias available in a brushed satin silver, or matte black finish.

The balanced flue model is a perfect solution for homes designed without a chimney or flue. This model comes with a slimmer log style with equally attractive tall flames.

\*A 240V mains electricity supply is required to power the remote control system (Balanced flue only).



SLIMLINE BALANCED FLUE  
WITHOUT FASCIA



SLIMLINE BALANCED FLUE  
BRUSHED SATIN SILVER FASCIA



### SPECIFICATION

	CONVENTIONAL FLUE	SLIMLINE BALANCED FLUE
	Natural Gas	Natural Gas
Useful energy efficiency	70.7%	85.6%
Energy efficiency class	E	C
Direct heat output	4.2kW	3.7kW
Flue	Brick Chimney or pre-fabricated flue	Horizontal
Control	Fully Automatic Remote with Thermostatic Control	
Model Number	MK2 - DEEELRN2	DBELEBRNB

CONVENTIONAL FLUE



SLIMLINE BALANCED FLUE







## U-VR Elite

### Ultiflame VR Electric Fires

The Ultiflame VR Elite is a wall inset electric fire that benefits from a multi-functional handset controller with integrated design features.

Through innovative technology we have created a virtual flame, real fire experience with visual depth and realistic flame movements. The fuel bed ceramics capture the authentic shape and texture of natural logs, that are positioned on a perception of hot glowing crystal embers.

Enjoy the relaxing warmth of a Virtual-Reality fire experience all at the touch of a button.

The U-VR Elite is available with a choice of two brushed metallic fascias, Satin Black, and Satin Champagne. Also available as a minimalistic fascia-less fire.

#### Features

- Open fire experience
- Customisable fuel effect
- Silver birch logs
- Crystal ash embers
- Single or dual colour flame
- LED brightness control
- Thermostatic remote & manual control operation



#### SPECIFICATION

		ELECTRIC
Heat output		0.8kW - 1.6kW
Control		Thermostatic Remote & Manual Control
Fire Model Number	Satin Black	CEBC33RE-ERP
	Satin Champagne	CECH33RE-ERP
	Fascia-less	CEUL33RE-ERP



SATIN CHAMPAGNE FASCIA



FASCIA-LESS



## Avignon Eden Elite & Slimline BF Conventional & Balanced Flue Suites

This stunning fireplace suite comprises the classically styled Avignon surround in 54 and 58 inch wide versions, made from high quality natural Portuguese Limestone and includes the fabulous Eden Elite gas fire.

The conventional flue option features a stunningly realistic raised log fuel effect. It has an energy efficiency of 70.7% and impressive heat output of up to 4.2kW.

The slimline balanced flue option is suitable for installation into homes without a brick chimney or pre-fabricated flue and has an impressive energy efficiency of 85.6% and 3.7kW heat output.

Both models are lined with glossy black enamel interiors. Operated by a thermostatic remote control system, these fires can maintain a comfortable room temperature at the touch of a button.

\*A 240V mains electricity supply is required to power the remote control system (Balanced flue only).



SLIMLINE BALANCED FLUE  
54 INCH SUITE



### SPECIFICATION

		CONVENTIONAL FLUE	SLIMLINE BALANCED FLUE
		Natural Gas	Natural Gas
Useful energy efficiency		70.7%	85.6%
Energy efficiency class		E	C
Direct heat output		4.2kW	3.7kW
Flue		Brick Chimney or pre-fabricated flue	Horizontal
Control		Fully Automatic Remote with Thermostatic Control	
Suite Model Number	54" inch suite	MK2 - DELRNB890	DBELEBRN722
	58" inch suite	MK2 - DELRNB910	DBELEBRN779

CONVENTIONAL FLUE



SLIMLINE BALANCED FLUE







## U-VR Avignon Elite

### Ultiflame VR Electric Suites

The elegantly designed U-VR Avignon Elite Suite combines this stunning Portuguese Limestone surround with the optimal energy saving Ultiflame VR 33 inch electric fire.

The handset control provides integrated design features including thermostatic temperature settings along with independent flame isolation when heat is not required.

This electric fire suite is a popular choice for homeowners looking to install a luxurious finish with a reliable heating performance.

Two suite widths are available, 58 inches, and 54 inches to fit smaller rooms or a narrow chimney breast.



54 INCH SUITE

#### Features

- Open fronted fire
- Customisable fuel effect
- Silver birch logs
- Crystal ash embers
- Single or dual colour flame
- LED brightness control
- Thermostatic remote & manual control operation



#### SPECIFICATION

		ELECTRIC
Heat output		0.8kW - 1.6kW
Control		Thermostatic Remote & Manual Control
Suite Model Number	58" Suite	CEULALRE-ERP
	54" Suite	CEULASRE-ERP





## Parada Elite Illumia & Slimline BF Conventional & Balanced Flue Suites

The Parada Elite suite features a stunning Portuguese Limestone surround complemented by integrated down lights and is available in both 54 and 58 inch wide versions.

Available in conventional flue and slimline balanced flue, each gas fire is lined with a glossy black enamel interior, and feature a stunningly realistic log fuel effect. The conventional flue model has larger chunky logs.

**\*A 240V mains electricity supply is required to power the remote control system (Balanced flue only).**



SLIMLINE BALANCED FLUE  
54 INCH SUITE

### SPECIFICATION

		CONVENTIONAL FLUE	SLIMLINE BALANCED FLUE
		Natural Gas	
Useful energy efficiency		70.7%	85.6%
Energy efficiency class		E	C
Direct heat output		4.2kW	3.7kW
Flue		Brick Chimney or pre-fabricated flue	Horizontal
Control		Multifunctional Remote Control	
Suite Model Number	54" inch suite	MK2 - DELRN740	DBELEBRN740
	58" inch suite	MK2 - DELRN750	DBELEBRN750



CONVENTIONAL FLUE



SLIMLINE BALANCED FLUE







## U-VR Parada Elite Illumia Ultiflame VR Electric Suites

The stylish U-VR Parada Elite Illumia Suite combines the luxury of natural Limestone with the 33 inch electric fire performance using advanced Ultiflame VR technology.

The surround is available in two sizes, 58 and 54 inch widths to suit your installation space, and features integrated warm LED downlights that are dimmable to your preferred room ambient brightness.

The fire comes with supremely detailed ceramics that capture the authentic shape and texture of natural logs placed over a perception of hot crystal embers. The remote handset controls advanced design features such as thermostatic temperature, independent flame isolation (when heat is not required), and Flame fusion colour control.

For a modern and elegant fireplace U-VR Parada Elite Illumia Suite will enhance your living space and create a relaxing warm home lifestyle.

### Features

- Open fronted fire
- Dimmable LED surround lighting
- Customisable fuel effect
- Silver birch logs
- Crystal ash embers
- Single or dual colour flame
- LED brightness control
- Thermostatic remote & manual control operation



### SPECIFICATION

		ELECTRIC
Heat output		0.8kW - 1.6kW
Control		Thermostatic Remote & Manual Control
Suite Model Number	58" Suite	CEULALRE-ERP
	54" Suite	CEULASRE-ERP



54 INCH SUITE





## Carmelo Gas Fire

With its large size and enchanting flame picture the Carmelo HE hole in the wall balanced flue gas fire is certainly a show-stopper and it provides exceptional performance too.

If you're looking for luxury combined with exceptional heat output then the Carmelo HE is the ideal gas fire for you. With a viewing area measuring 1145mm along with an enchanting flame picture reflecting in its glossy black enamel interior, this hole in the wall balanced flue gas fire has a heat output of 6.4kW and 75.4% Useful energy efficiency, providing exceptional performance too.

What's more this fire can be installed almost anywhere in the home since it uses a balanced flue system with a choice of horizontal flue, vertical flue or chimney conversion flue kits available to choose from. Both log and white stone fuel effects are supplied with every fire.

**\*A 240V mains electricity supply is required to power the remote control system.**

### SPECIFICATION

	BALANCED FLUE
	Natural Gas
Useful energy efficiency	75.4%
Energy efficiency class	E
Direct heat output	6.4kW
Flue	Horizontal and Vertical Kits and Chimney Conversion Kit available
Control	Fully Automatic Remote with Thermostatic Control
Model Number	DCML00RN2







## Eden HE

### Gas Fire

This glass fronted landscape wall inset gas fire has an incredible 83% energy efficiency and up to 5.2kW heat output. It features tall flames beautifully set within a glossy black enamel interior creating stunning contrast with enchanting natural movement.

The Eden HE comes with a choice of log or white stone fuel effect and has been designed as a trimless fire for a very minimalist appearance, or can be teamed with an optional slimline fascia for a more prominent centrepiece.

**\*A 240V mains electricity supply is required to power the remote control system.**



WHITE STONES  
CHROME SLIMLINE FASCIA

#### SPECIFICATION

	CONVENTIONAL FLUE
	Natural Gas
Useful energy efficiency	83%
Energy efficiency class	D
Direct heat output	5.2kW
Flue	Brick Chimney or pre-fabricated Flue
Control	Fully Automatic Remote with Thermostatic Control
Model Number	DHVG00RN2B







ZIG-ZAG FLAME BURNER TECHNOLOGY

## Luxe Gas Fire

A combination of elegance and performance makes the Luxe an extremely desirable gas fireplace. Its perfectly proportioned glass frame provides a three-side view of one of the most stunning flame effects available today.

The Luxe features a driftwood fuel effect with glowing embers and a glossy black enamel back panel which reflects its enchanting flames, and is operated by a stylish remote control handset with a thermostatic function which allows you to pre-set your desired temperature level so that you are never too cold or too warm.

This balanced flue gas fireplace can be purchased with a choice of horizontal or vertical flue kit so can be installed almost anywhere in your home and offers an exceptional 76.4% net energy efficiency with a heat output of 6.7kW.

Installation of the appliance is made easy with integrated adjustable legs and the option to purchase a false chimney kit consisting of metal studwork which can be clad with the fitters' choice of high temperature board. (see page 75 for further details).

**\*A 240V mains electricity supply is required to power the remote control system.**

### SPECIFICATION

	BALANCED FLUE
	Natural Gas
Useful energy efficiency	76.4%
Energy efficiency class	E
Direct heat output	6.7kW
Flue	Horizontal or Vertical
Control	Multifunctional Remote Control
Model Number	DCHLLXRN

\*Not supplied by BFM







CONVENTIONAL FLUE  
DELUXE WHITE & STONE GREY INTERIOR  
MM SIGNATURE FASCIA BLACK NICKEL & BLACK



BALANCED FLUE  
BLACK ENAMEL INTERIOR  
ULTIMO CHROME & BLACK TRIM  
BAUHAUS 151 CHROME FRET

## Passion HE & BF Conventional & Balanced Flue Gas Fires

Combining efficiency and performance the Passion HE is a market leading gas fire with the authentic look and feel of a real burning logs. This glass fronted fire is designed with large frame wide-angle viewing displaying tall lively flames.

The conventional flue model interior is available in a choice of Deluxe white & stone grey, or glossy black enamel.

Our balanced flue model is a perfect solution for homes designed without a chimney or flue, and is available with a glossy black enamel interior.

For comfort and performance these fires are available with a fully automatic remote-control system. A slide control and a manual control system is also available with the conventional flue model.

Full accessory listings, including Spacer Frame see page 70-71

### SPECIFICATION

	CONVENTIONAL FLUE			BALANCED FLUE
	Natural Gas			
Control	Manual	Slide	Remote	Remote
Useful energy efficiency	81%	81%	81%	82.6%
Energy efficiency class	D	D	D	C
Direct heat output	3.1kW	3.0kW	3.1kW	2.4kW
Flue	Brick Chimney or pre-fabricated flue			Horizontal
Black Enamel	DLBLNRMN2	DLBLNRSN2	DLBLNRRN2	DLBFNRRNB
White & Stone Grey DLX Glass	DLBLNRMN2-NIWG	DLBLNRSN2-NIWG	DLBLNRRN2-NIWG	-





## Passion HE & BF

### Conventional & Balanced Flue Gas Fire Suites

Our Passion Suite combinations merge performance with luxury. The fire provides wide-angle viewing, showcasing superior log ceramics with bright tall flames set against a deep black enamel interior. For maximum comfort and control we have fitted a fully automatic thermostatic remote control system, for warmth and relaxation at the touch of a button. A Trim and Fret option, for those who enjoy a more traditional fire setting, couples the highly stylish Signature Trim, with the exclusive Bauhaus 151 Fret. A one-piece contemporary fascia choice is available with the uniquely designed MM Signature Fascia to creating even more luxury aesthetics between the fascia and the flames. Three popular colour finishes are available in Black Nickel, Chrome, and Brass.



CONVENTIONAL FLUE IN LIMESTONE  
CHROME SIGNATURE TRIM & BAUHAUS 151 FRET



BALANCED FLUE IN LIMESTONE  
BRASS SIGNATURE TRIM & BAUHAUS 151 FRET



#### SPECIFICATION

		CONVENTIONAL FLUE			BALANCED FLUE		
		Natural Gas					
Control		Remote			Remote		
Useful energy efficiency		81%			82.6%		
Energy efficiency class		D			C		
Direct heat output		3.1kW			2.4kW		
Flue		Brick Chimney or pre-fabricated flue			Horizontal		
Finish		Black Nickel	Chrome	Brass	Black Nickel	Chrome	Brass
Suite Model Number	Limestone & Black Granite	Fascia					
		DAGFBN	DAGFCH	DAGFBR			
		Trim & 151 Fret					
		DAGTBN	DAGTCH	DAGTBR			
Suite Model Number	Limestone	Fascia					
		DALFBN	DALFCH	DALFBR	DBLFBN	DBLFCH	DBLFBR
		Trim & 151 Fret					
		DALTBN	DALTCH	DALTBR	DBLTBN	DBLTCH	DBLTBR

BALANCED FLUE



CONVENTIONAL FLUE





# Passion HE & Balanced Flue Accessories

## Trims

### STANDARD

Quality steel trims in a choice of four colours with a plated or painted finish.



Brass Chrome Satin Silver Matte Black

### SIGNATURE

The Signature is a quality steel fabricated trim in a range of metallic and paint finishes.



Brass & Black Chrome & Black Satin Silver & Chrome Black Nickel & Chrome Black Nickel & Black

### ULTIMO

The Ultimo is a cast iron trim with a black painted and optional colour plated finish.



Gold & Black Chrome & Black Black Nickel & Black

## Frets

### BAUHAUS 18"



Gold Chrome Satin Silver Black Nickel Matte Black

### BAUHAUS 151



Gold Chrome Black Nickel



**2 INCH SPACER FRAME**  
Compatible with Standard and Signature trims, Parrilla, and MM Signature fascias.  
Not suitable with cast iron trims or fascias.

## Fascias

### MM SIGNATURE

Steel fabricated with five colour options.



Brass & Black Chrome & Black Satin Silver & Chrome Black Nickel & Chrome Black Nickel & Black

### PARRILLA

Steel fabricated with a choice of three brushed satin metallic finishes.



Champagne Silver Black

### ULTIMO 007

Cast iron black with a choice of colour plated finish.



Gold & Black Chrome & Black Black Nickel & Black

### EMBRACE

Cast iron matt black with a choice of colour plated finish.



Gold & Black Chrome & Black Black Nickel & Black

### CAESAR

Cast iron matt black finish.



Black

### ARCADIA

Cast iron matt black with a choice of colour plated finish.



Black & Gold Black & Chrome

### PROVENCE

Cast iron matt black finish.

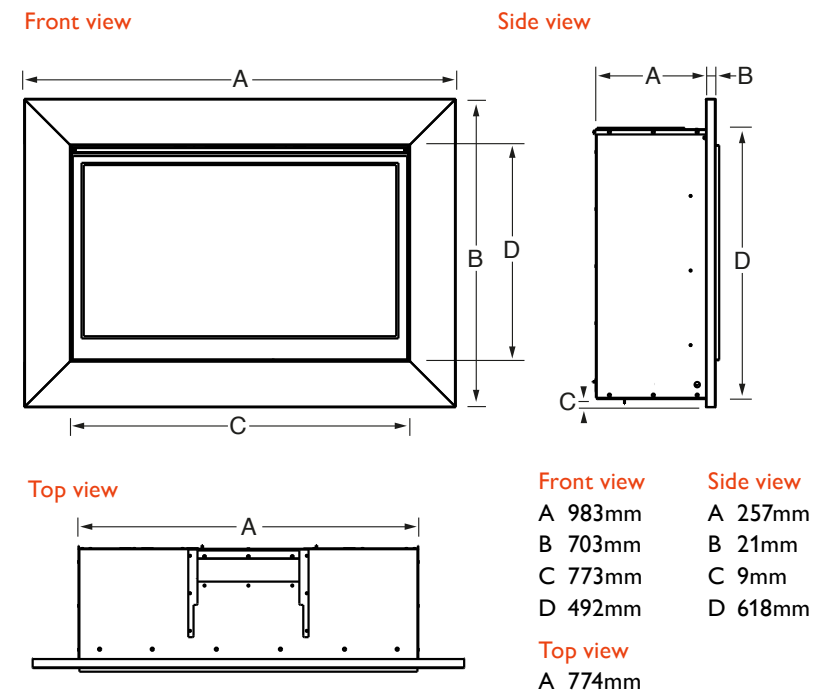


Available with or without Grate Bar. Remote, and Slide control only.

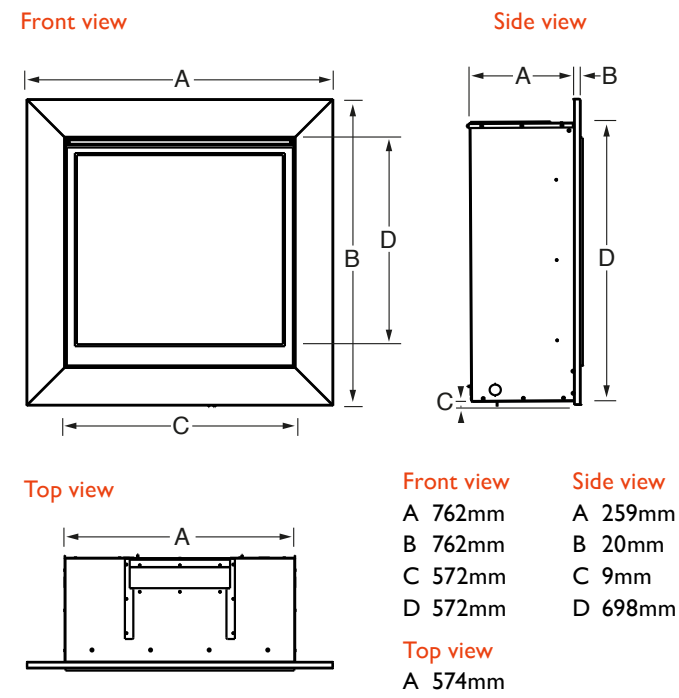


# Gas Fire Dimensions

ALEESIA

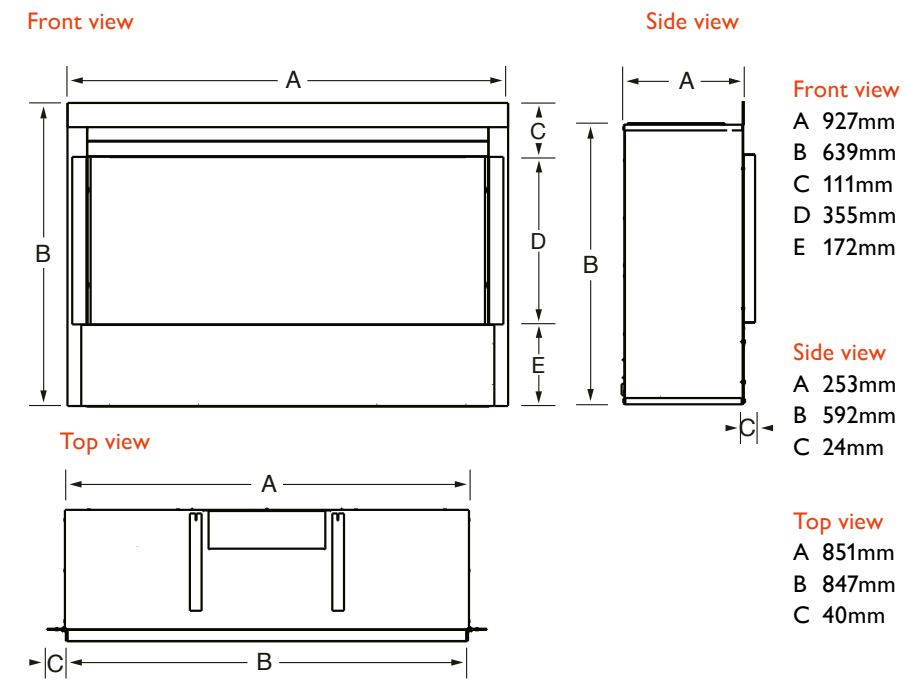


ASENCIO



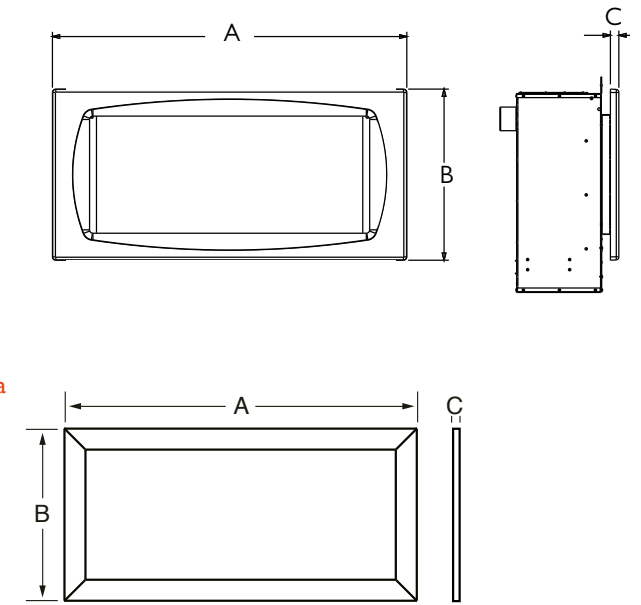
# Gas Fire Dimensions

EDEN ELITE

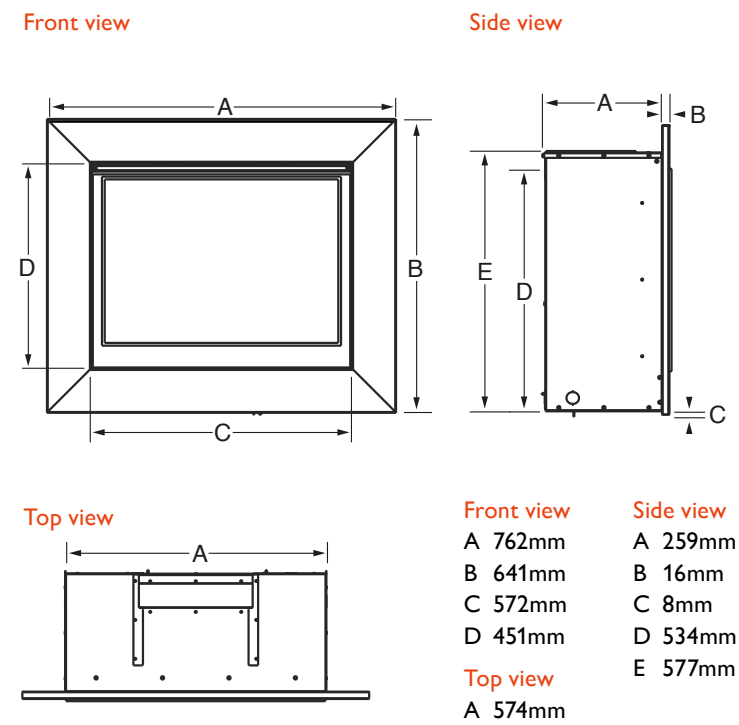


**Panoramic Provence Fascia**  
 A 1050mm  
 B 507mm  
 C 25mm

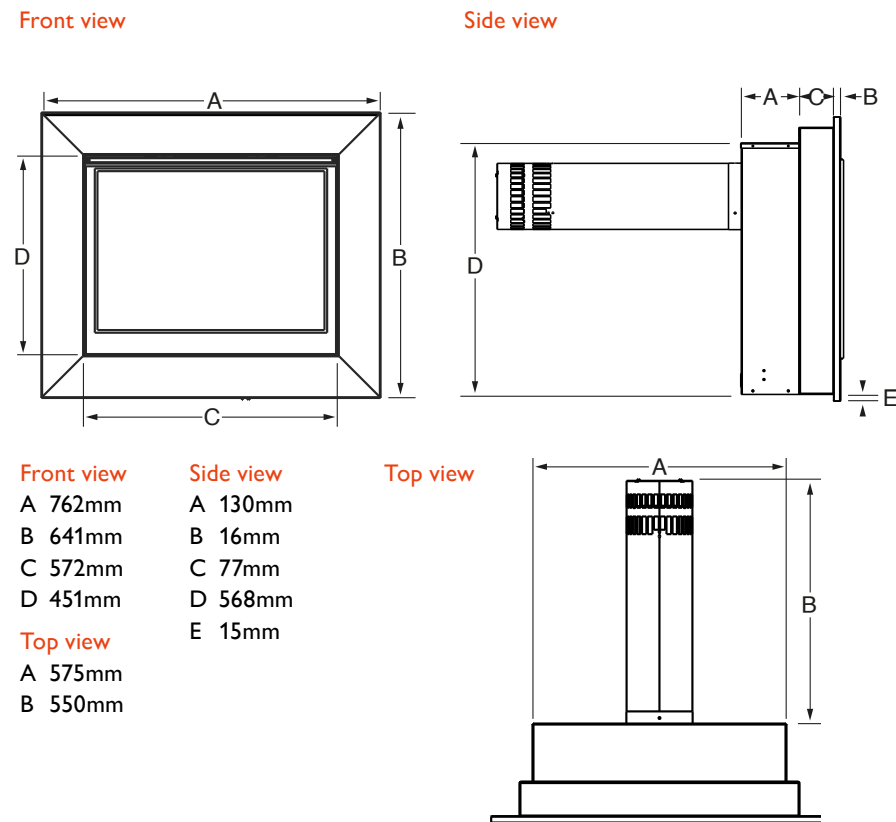
**Slimline Fascia**  
 A 940mm  
 B 459mm  
 C 17mm



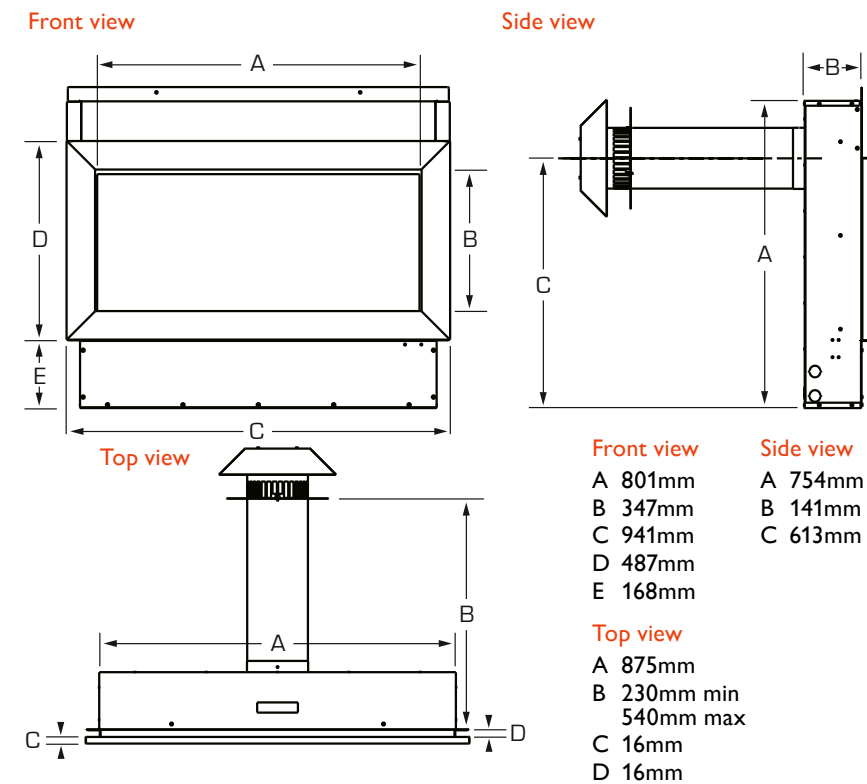
CELENA



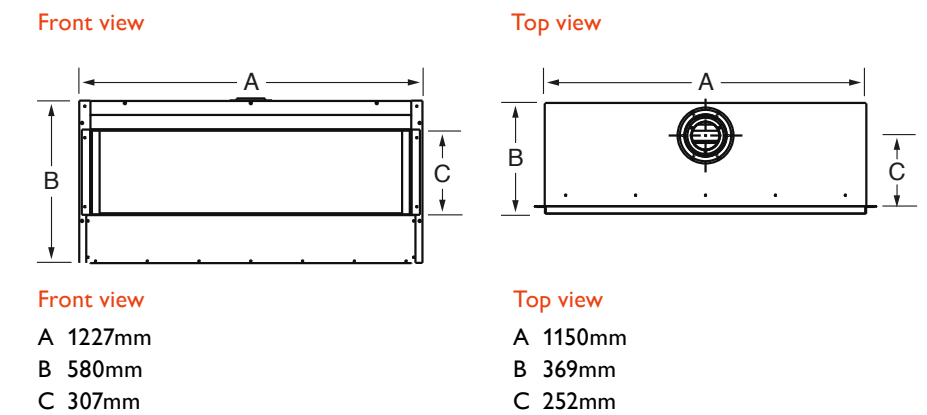
CELENA SLIMLINE BALANCED FLUE



EDEN ELITE SLIMLINE BALANCED FLUE



CARMELO HE

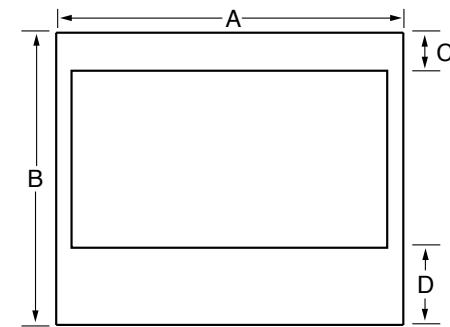




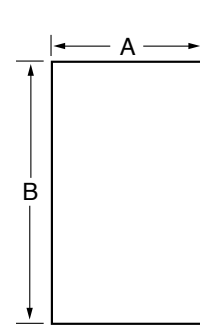
## Gas Fire Dimensions

EDEN HE

Front view

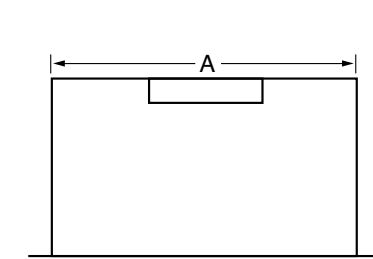


Side view



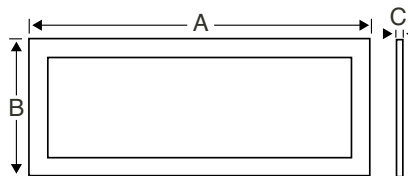
**Front view**  
 A 870mm  
 B 595mm  
 C 111mm  
 D 175mm  
**Top view**  
 A 795mm  
**Side view**  
 A 325mm  
 B 540mm

Top view



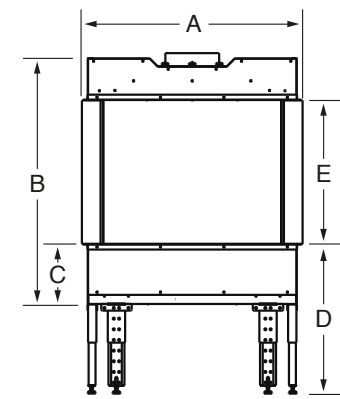
Slimline fascia

A 878mm  
 B 376mm  
 C 15mm

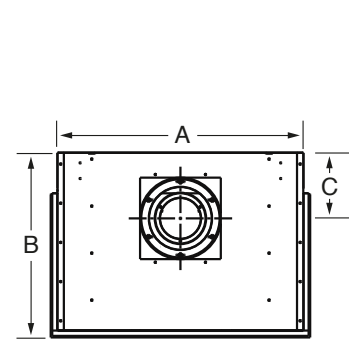


LUXE

Front view



Top view

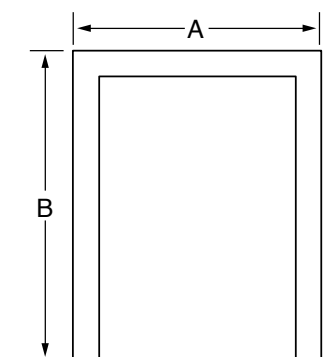


**Front view**  
 A 828mm  
 B 922mm  
 C 227mm  
 D 279-559mm  
 E 535mm

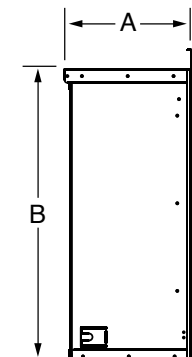
**Top view**  
 A 784mm  
 B 585mm  
 C 222mm

PASSION HE

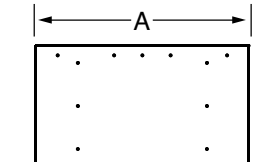
Front view



Side view



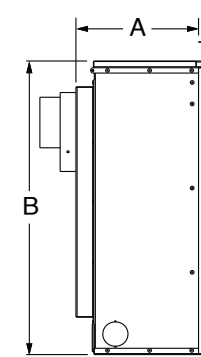
Top view



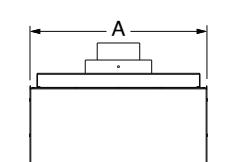
**Front view**  
 A 497mm  
 B 598mm  
**Top view**  
 A 400mm

**Side view**  
 A 253mm  
 B 547mm

Side view



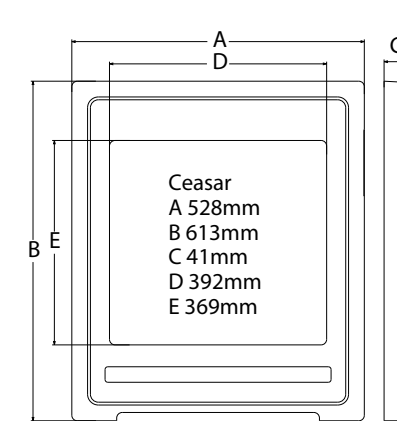
Top view



**Front view**  
 A 233mm  
 B 598mm  
**Top view**  
 A 400mm

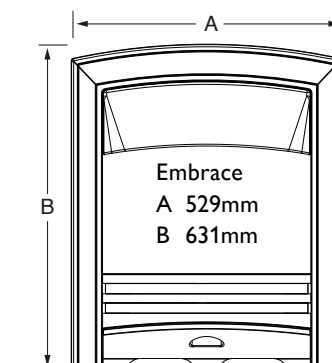
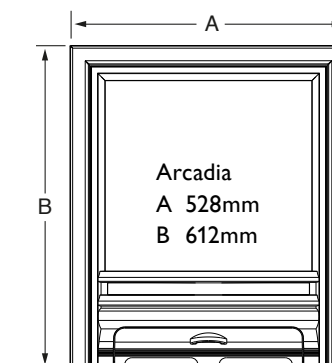
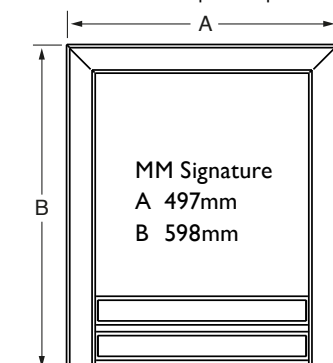
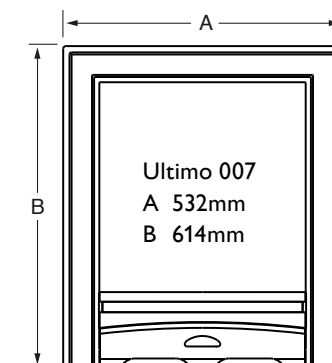
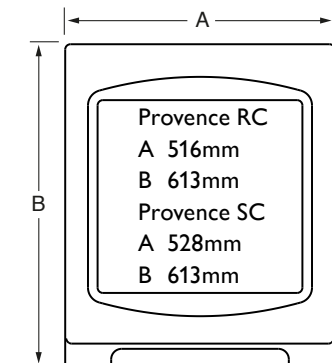
**Side view**  
 A 233mm  
 B 558mm

Fascias



Front A & B refer to Standard trim only  
 Standard flue and terminal included 333mm Min - 661mm Max.  
 Optional extended flue 1055mm Max  
 Optional spacer frame 50mm

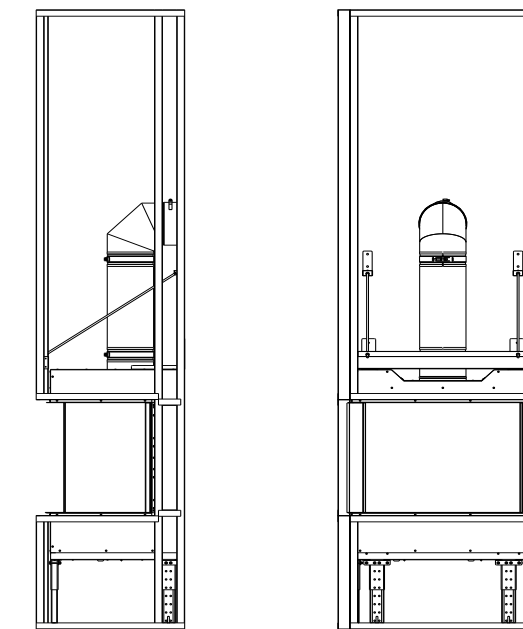
Fascias



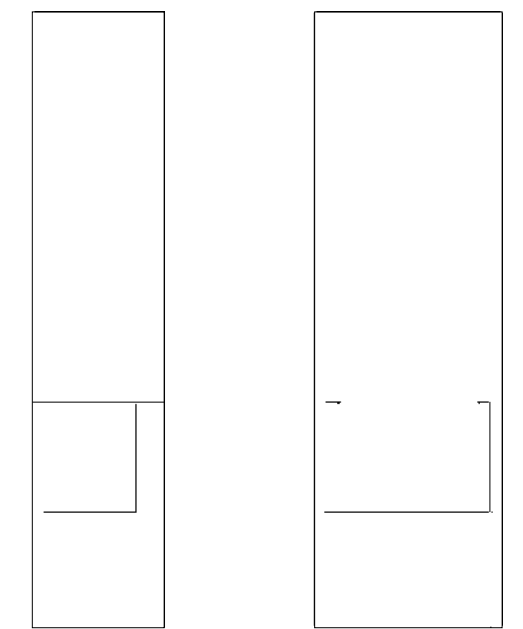
## Luxe Fire False Chimney Kit

A false chimney kit is available at an additional cost to simplify the installation of the Luxe gas fires. The false chimney kit consists of the metal studwork and screws required to create the false chimney structure. This can then be clad with the fitters' choice of high temperature board\*. We recommend a non combustible board such as Promat Supalux in a double 6mm thickness, giving an overall thickness of 12mm. Promat Supalux board is available from CCF Manchester. \* not supplied by BFM

FALSE CHIMNEY STUDWORK



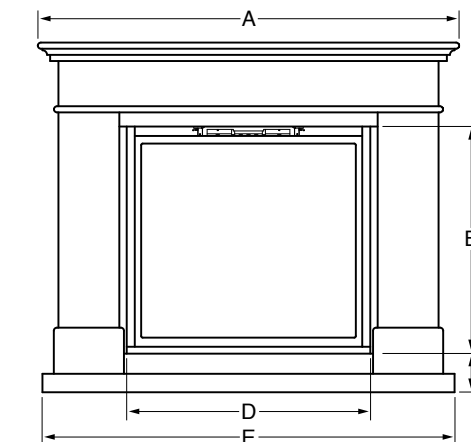
FINISHED FALSE CHIMNEY



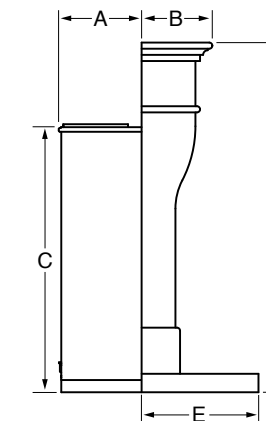
## Gas Suite Dimensions

DA VINCI ILLUMIA MD

Front view



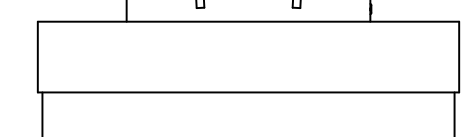
Side view



**Front view**  
 A 1370mm  
 B 739mm  
 C 126mm  
 D 792mm  
 E 1340mm  
**Top view**  
 A 790mm

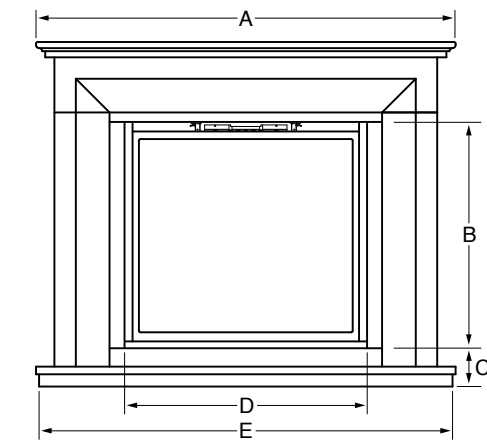
**Side view**  
 A 267mm  
 B 230mm  
 C 865mm  
 D 1137mm  
 E 380mm

Top view

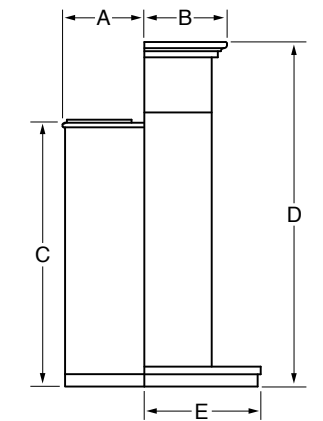


MONET ILLUMIA MD

Front view



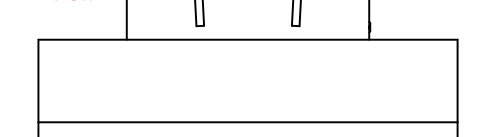
Side view



**Front view**  
 A 1370mm  
 B 739mm  
 C 126mm  
 D 792mm  
 E 1370mm  
**Top view**  
 A 793mm

**Side view**  
 A 267mm  
 B 270mm  
 C 865mm  
 D 1125mm  
 E 380mm

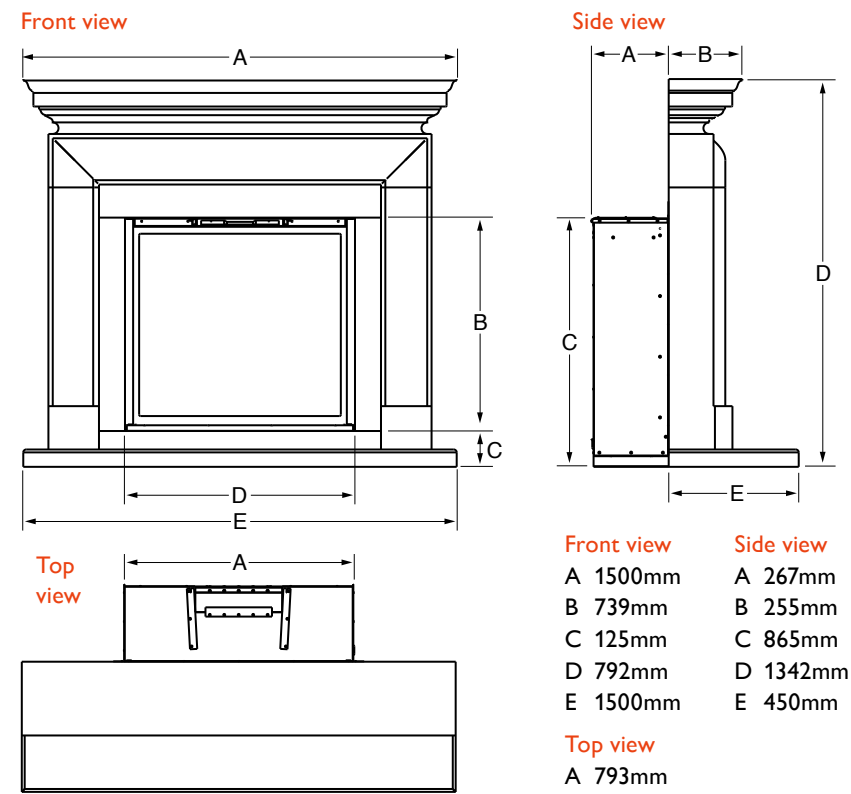
Top view



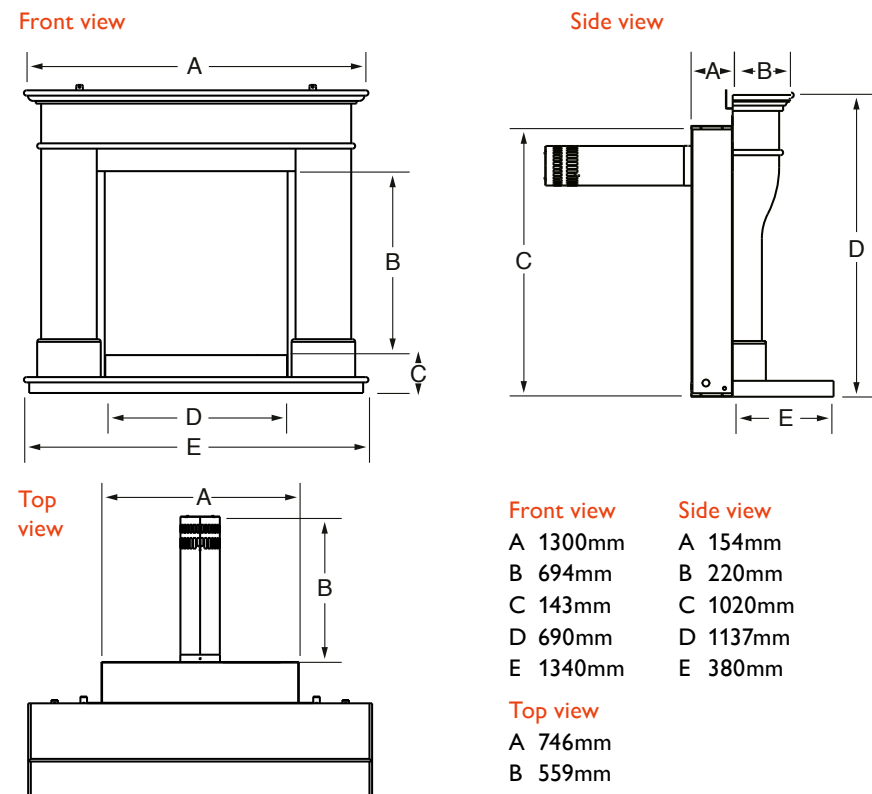


# Gas Suite Dimensions

GIULIANO ILLUMIA MD

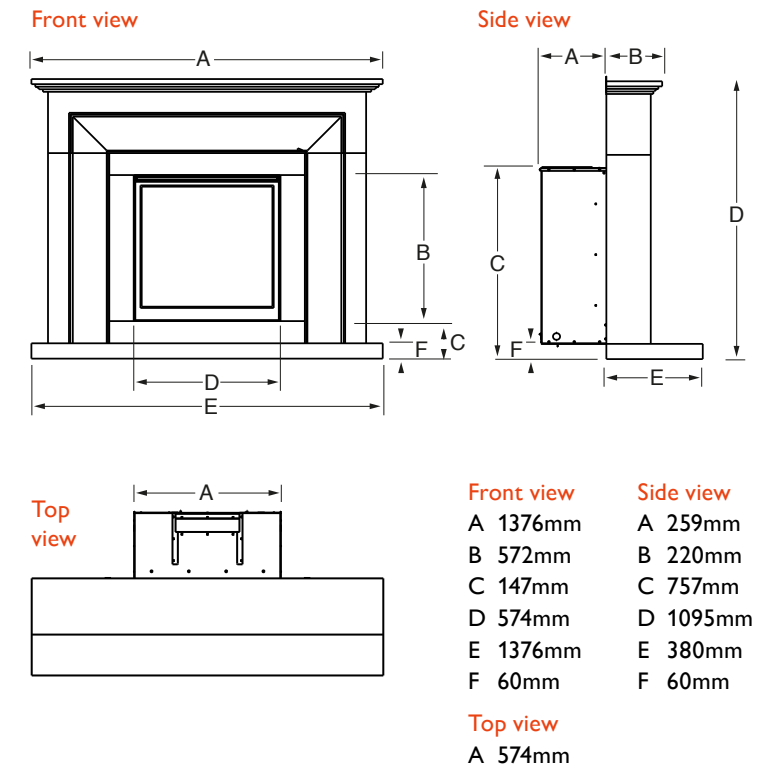


DA VINCI ILLUMIA SLIMLINE BALANCED FLUE

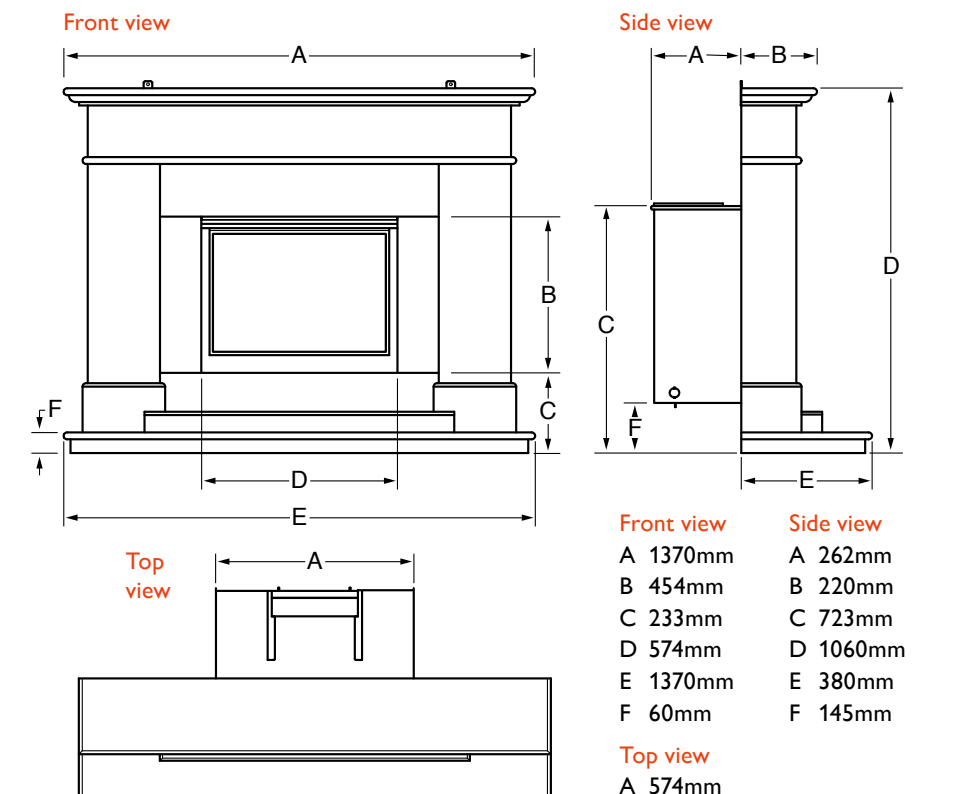


# Gas Suite Dimensions

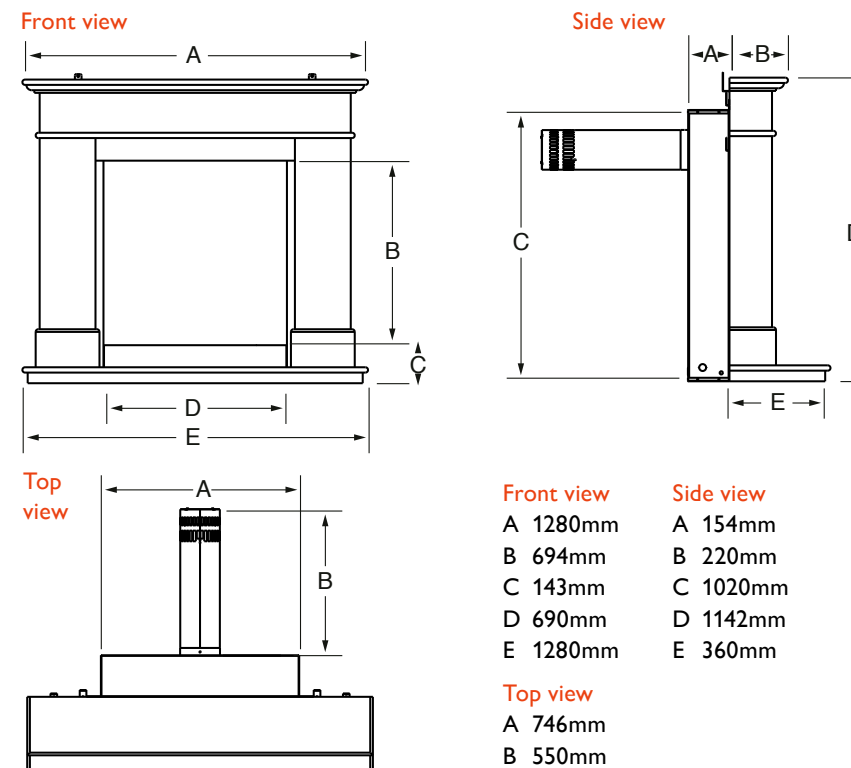
ASENCIO



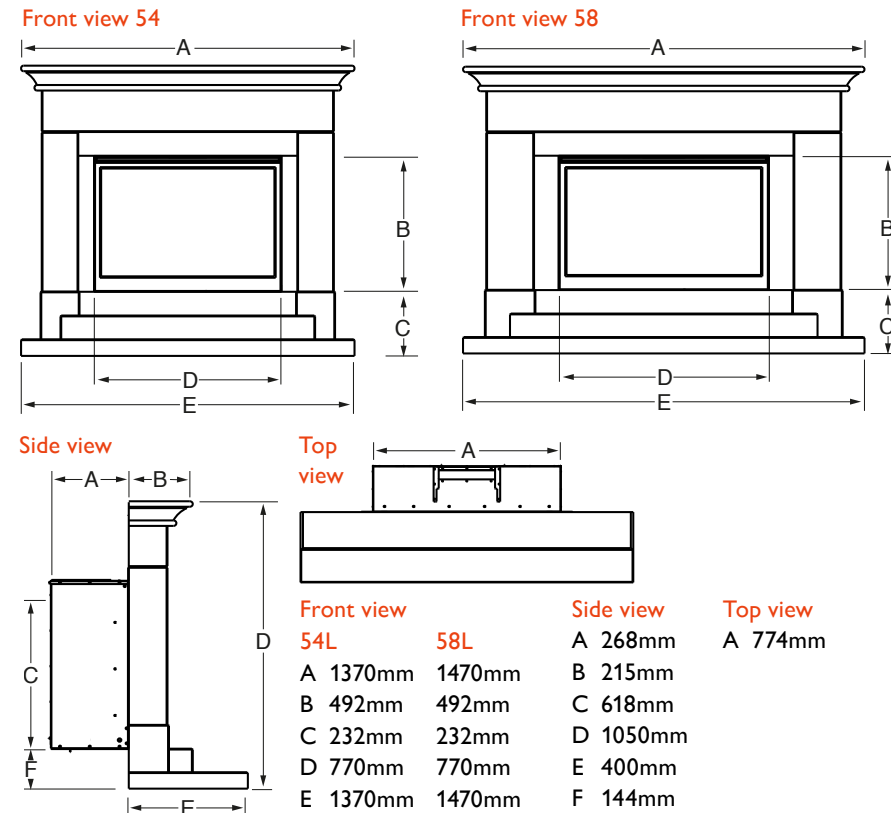
BOTICELLI CELENA



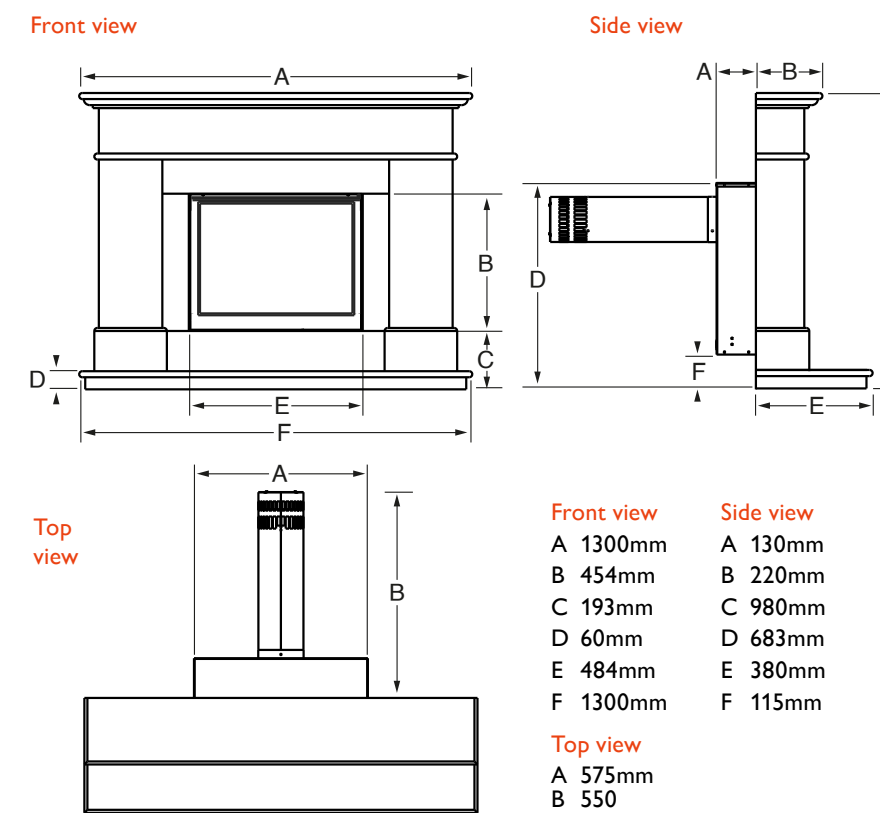
BOTICELLI ILLUMIA SLIMLINE BALANCED FLUE



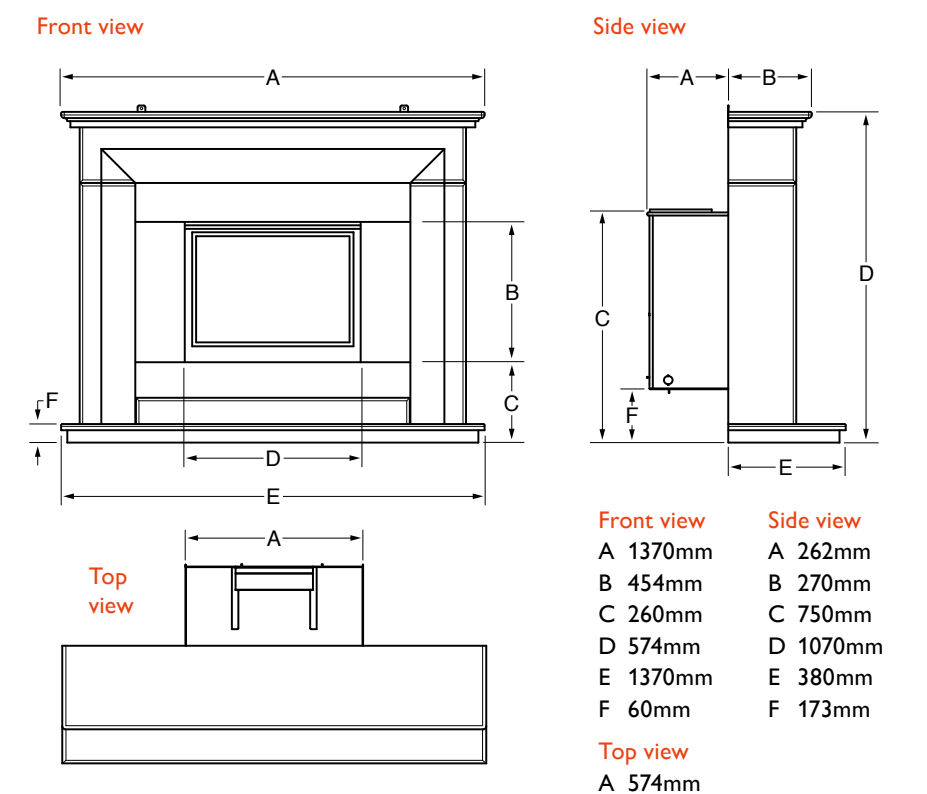
ALEESIA ILLUMIA 54 & 58



BOTICELLI CELENA SLIMLINE BALANCED FLUE



ANGELO CELENA

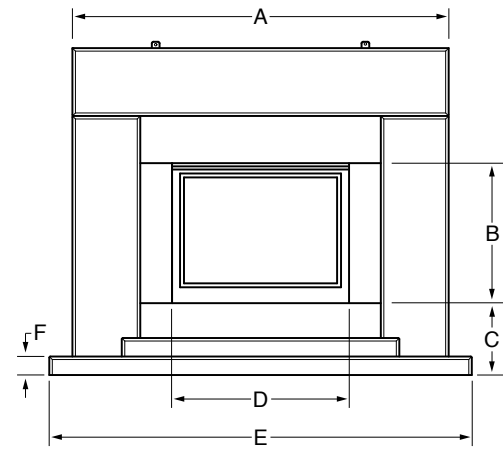




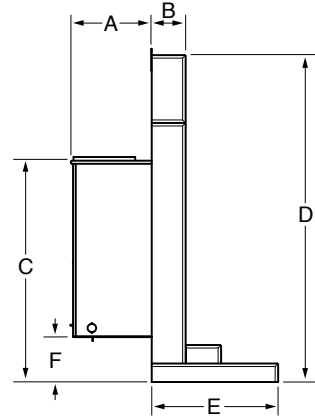
# Gas Suite Dimensions

PABLO CELENA

Front view

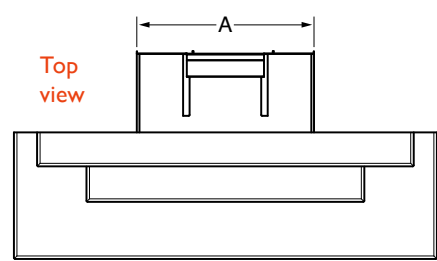


Side view



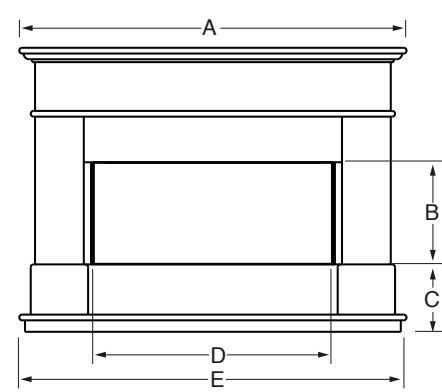
<b>Front view</b>	<b>Side view</b>
A 1220mm	A 262mm
B 454mm	B 110mm
C 233mm	C 723mm
D 574mm	D 1060mm
E 1364mm	E 410mm
F 60mm	F 145mm
<b>Top view</b>	
A 574mm	

Top view

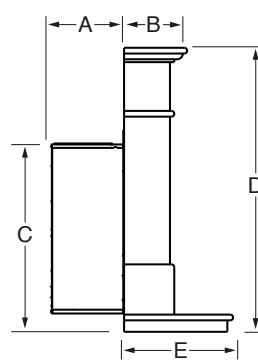


AVIGNON EDEN ELITE 54 & 58

Front view

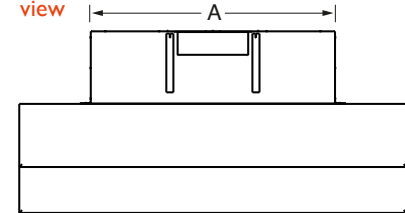


Side view



<b>54"</b>	<b>58"</b>
A 1350mm	1464mm
B 356mm	356mm
C 235mm	235mm
D 849mm	849mm
E 1350mm	1464mm
<b>Side view</b>	<b>Top view</b>
A 254mm	A 851mm
B 220mm	
C 657mm	
D 990mm	
E 380mm	

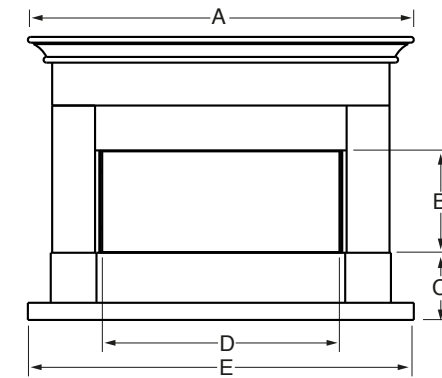
Top view



# Gas Suite Dimensions

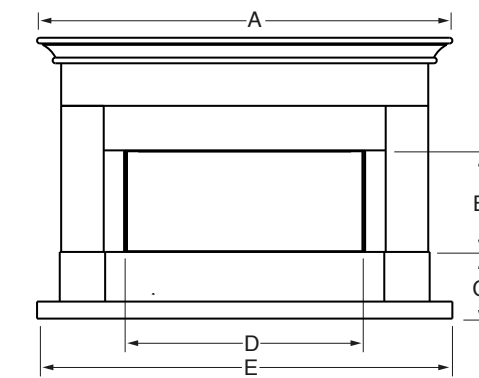
PARADA ELITE ILLUMIA 54 & 58

Front view 54



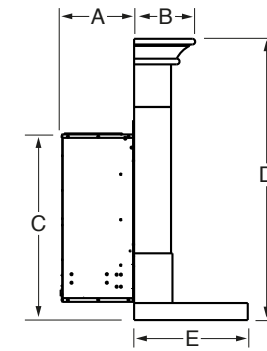
<b>Front view</b>
<b>54L</b>
A 1350mm
B 358mm
C 235mm
D 849mm
E 1350mm

Front view 58



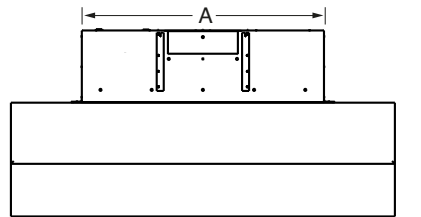
<b>58L</b>
A 1464mm
B 358mm
C 235mm
D 849mm
E 1464mm

Side view



<b>Side view</b>
A 254mm
B 215mm
C 657mm
D 990mm
E 400mm

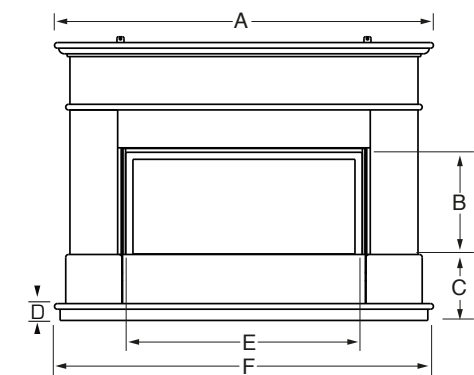
Top view



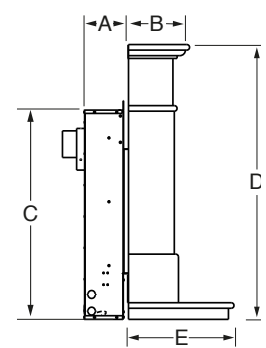
<b>Top view</b>
A 851mm

AVIGNON EDEN ELITE SLIMLINE BALANCED FLUE 54 & 58

Front view

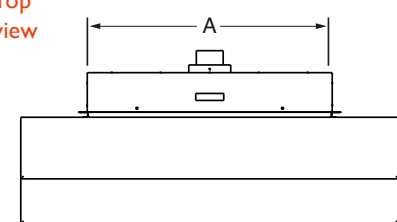


Side view



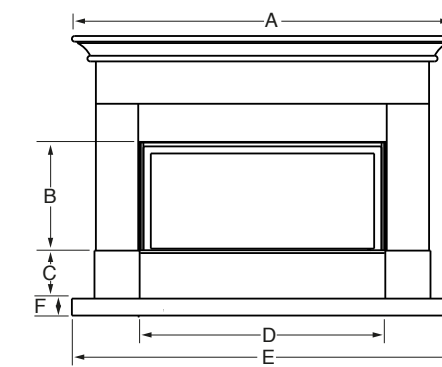
<b>54"</b>	<b>58"</b>
A 1330mm	1464mm
B 380mm	380mm
C 175mm	175mm
D 60mm	60mm
E 870mm	870mm
F 1330mm	1330mm
<b>Side view</b>	<b>Top view</b>
A 158mm	A 875mm
B 220mm	
C 990mm	
D 754mm	
E 380mm	

Top view



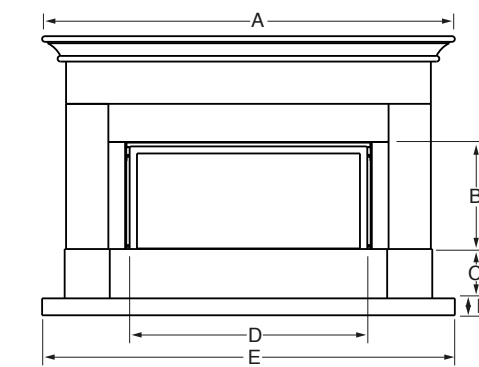
PARADA ELITE ILLUMIA SLIMLINE BALANCED FLUE 54 & 58

Front view 54



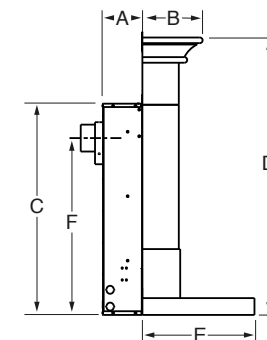
<b>Front view</b>
<b>54</b>
A 1350mm
B 380mm
C 175mm
D 861mm
E 1350mm
F 60mm

Front view 58



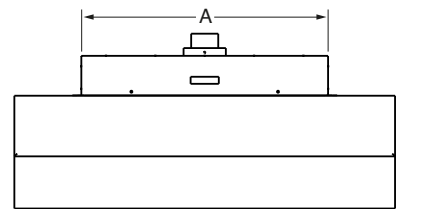
<b>58</b>
A 1464mm
B 380mm
C 175mm
D 861mm
E 1464mm
F 60mm

Side view



<b>Side view</b>
A 141mm
B 215mm
C 754mm
D 990mm
E 400mm
F 631mm

Top view

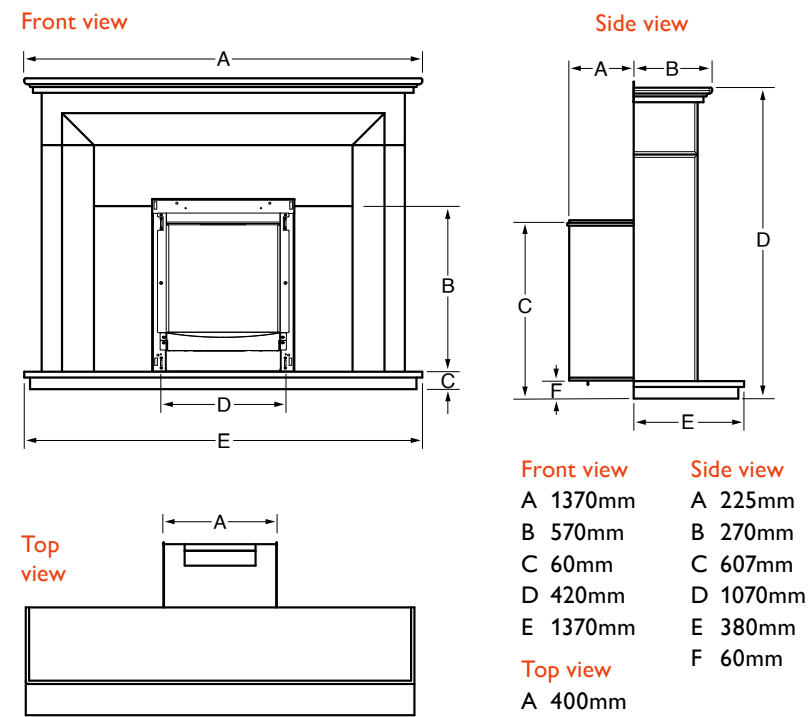


<b>Top view</b>
A 875mm

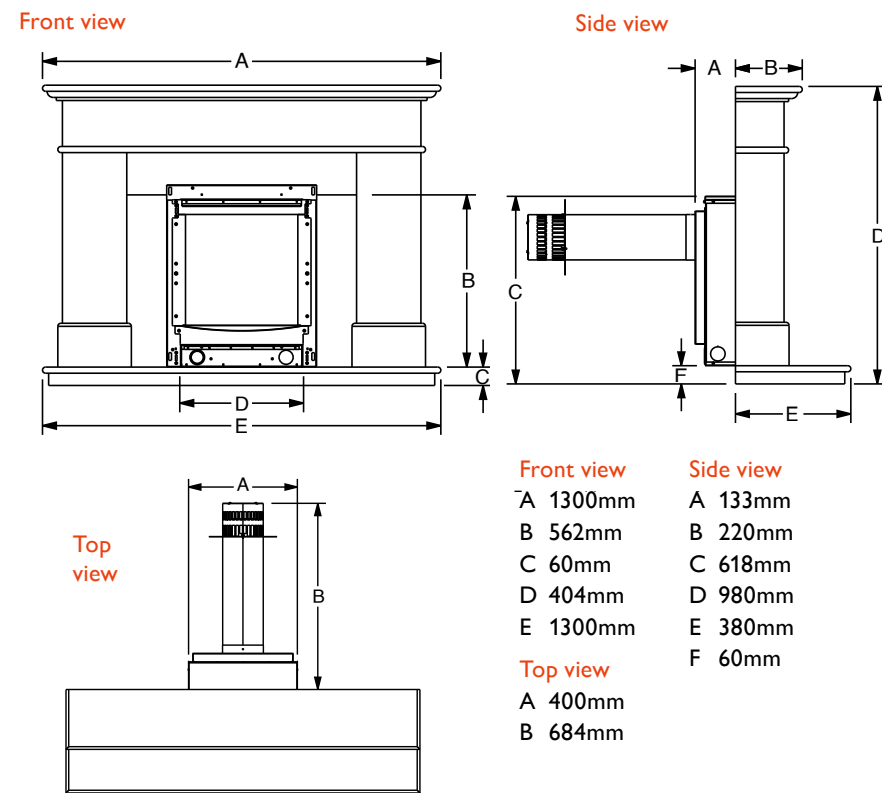


## Gas Suite Dimensions

### PASSION HE CONVENTIONAL FLUE



### PASSION BALANCED FLUE

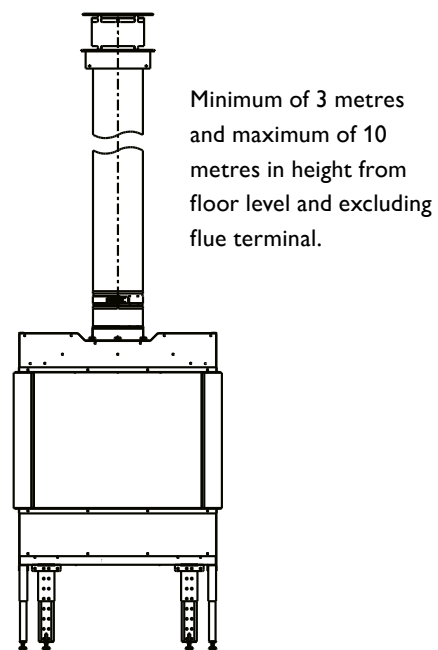


## Balanced Flue Installations

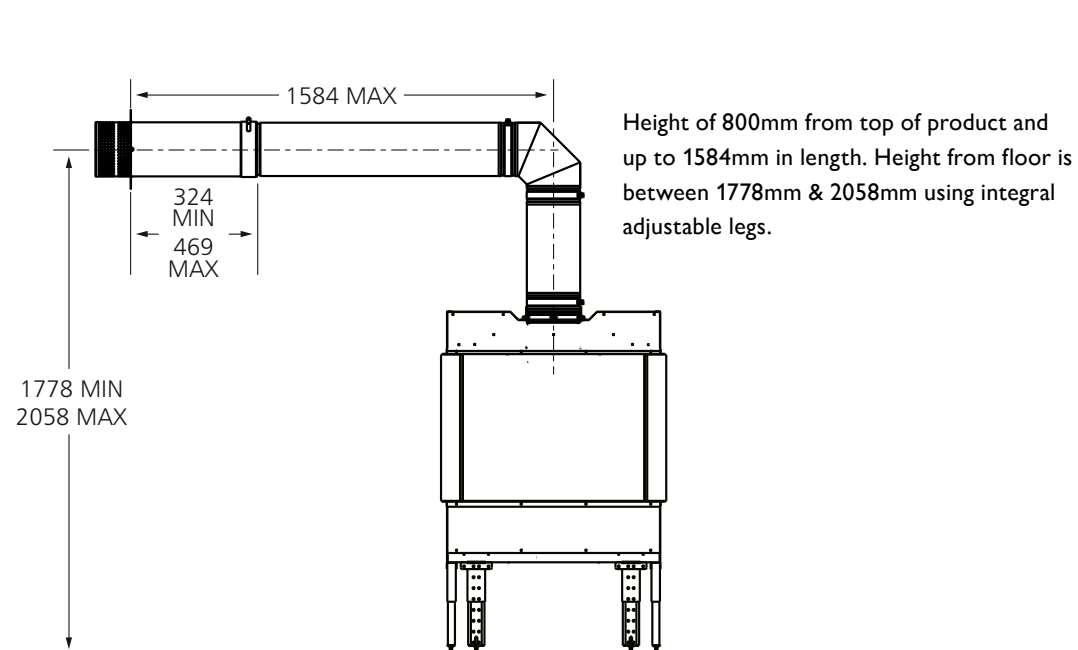
The following diagrams show our balanced flue installation possibilities for the Luxe gas fire. For more detailed information please refer to the product installation manual.

### LUXE

#### Vertical balanced flue installation



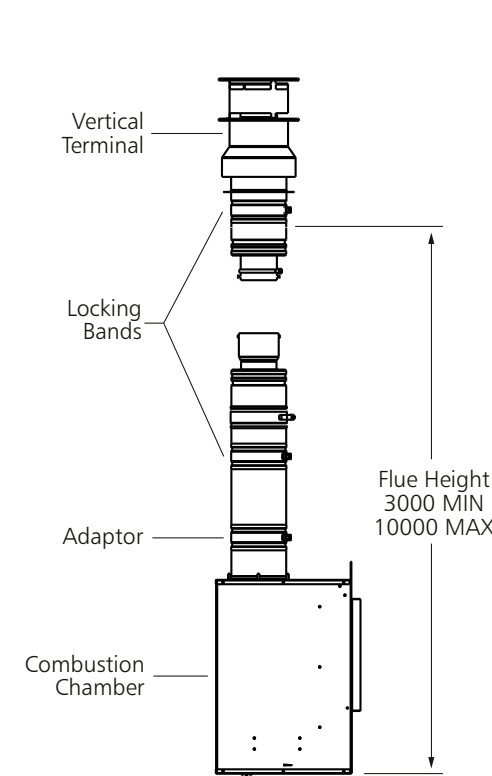
#### Horizontal balanced flue installation



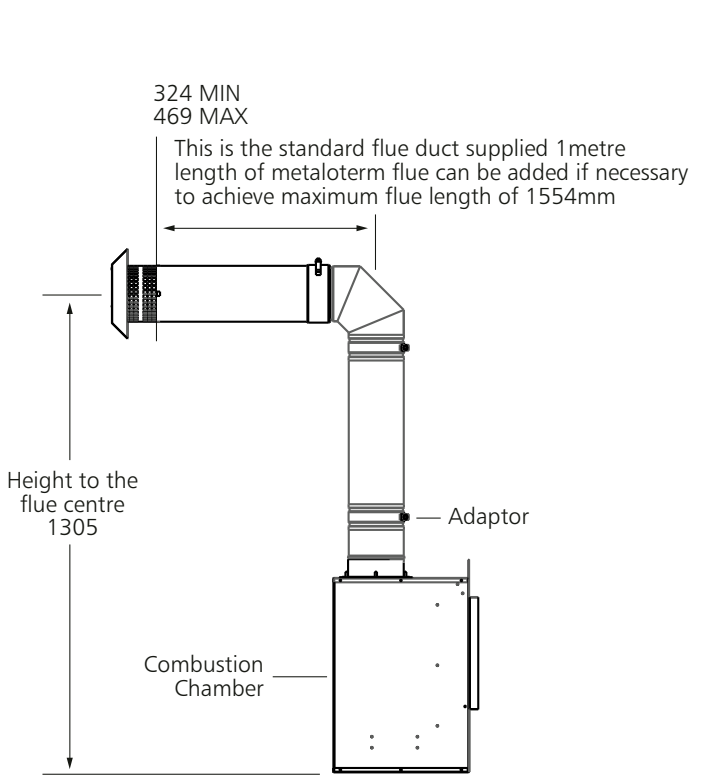
## Balanced Flue Installations

### CARMELO

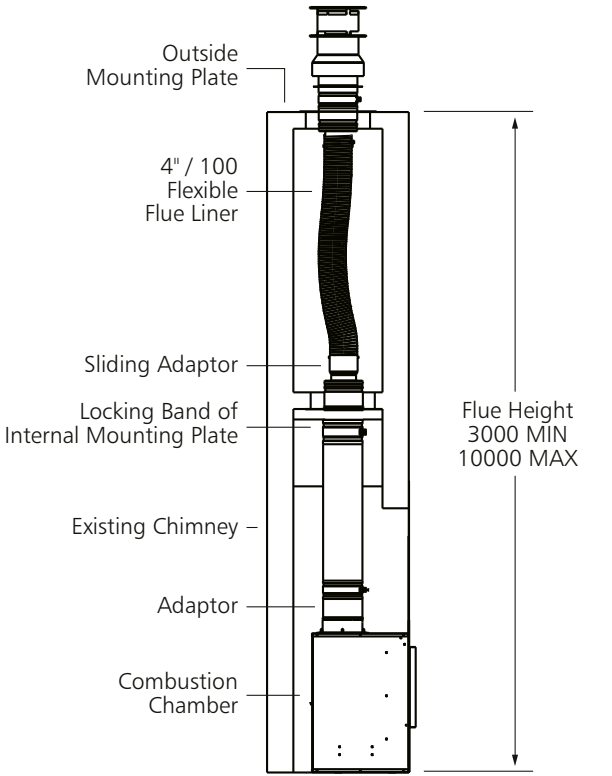
#### Vertical balanced flue installation



#### Horizontal balanced flue installation

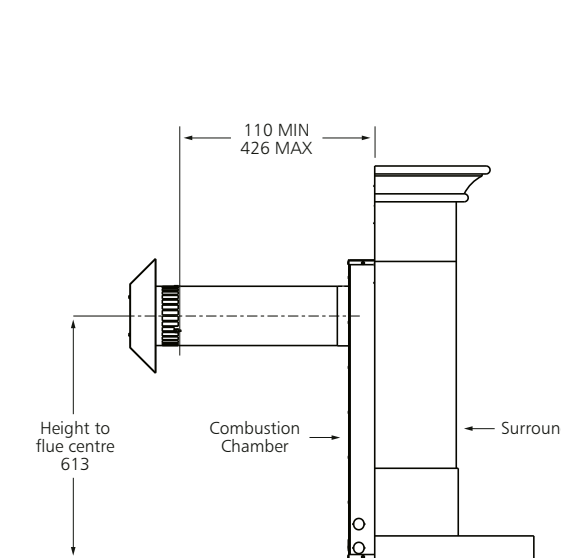


#### Chimney conversion balanced flue kit



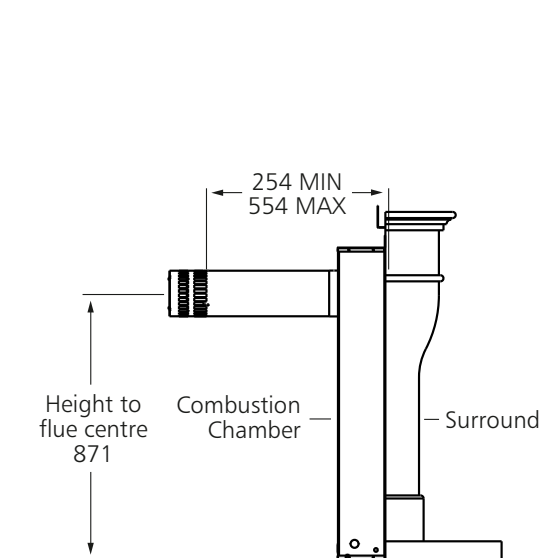
### PARADA ELITE ILLUMIA SLIMLINE

#### Horizontal balanced flue installation



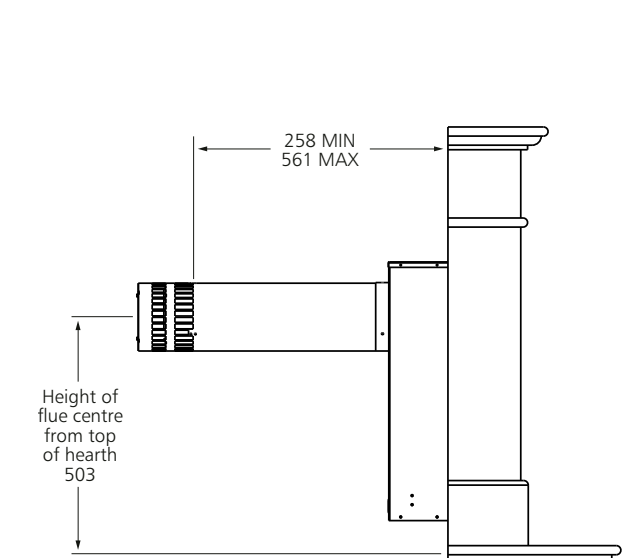
### BOTICELLI & DA VINCI ILLUMIA SLIMLINE

#### Horizontal balanced flue installation



### BOTICELLI CELENA SLIMLINE

#### Horizontal balanced flue installation



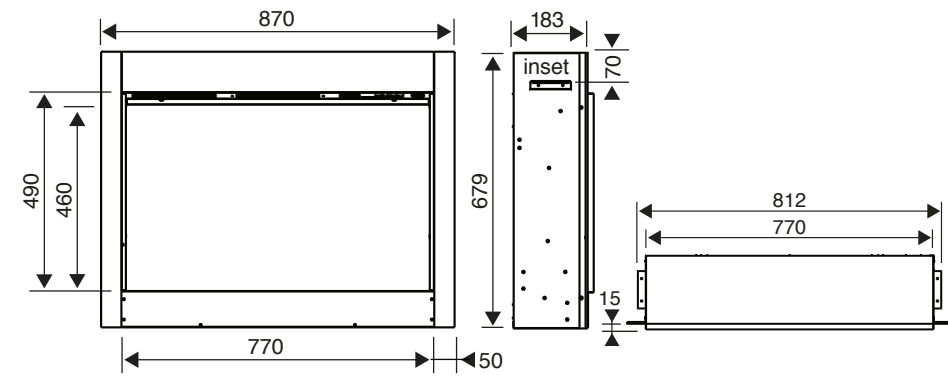
#### Chimney conversion balanced flue kit

The existing chimney must have a minimum cross-sectional area of 22,500mm<sup>2</sup> to provide sufficient air flow to fit the chimney conversion kit.

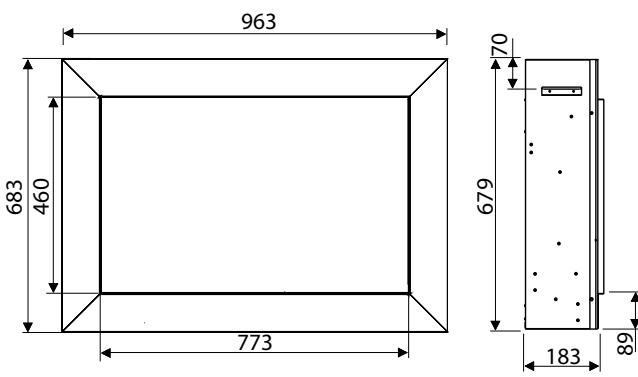


## Electric Fire Dimensions

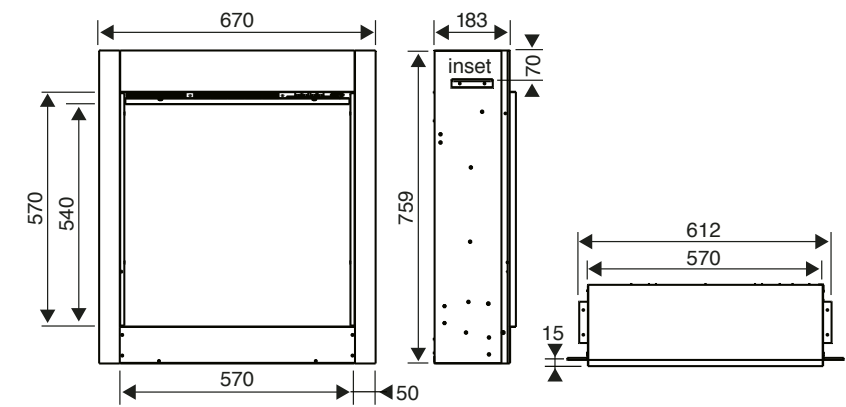
U-VR ALEESIA S



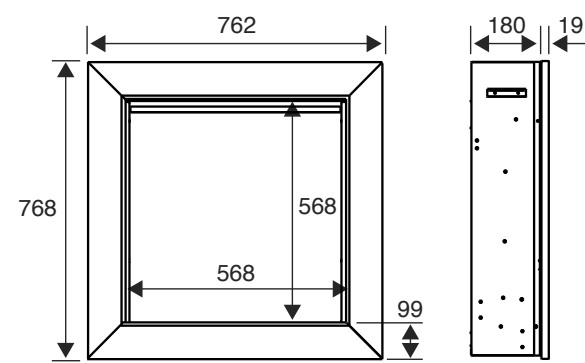
U-VR VADER ALEESIA S



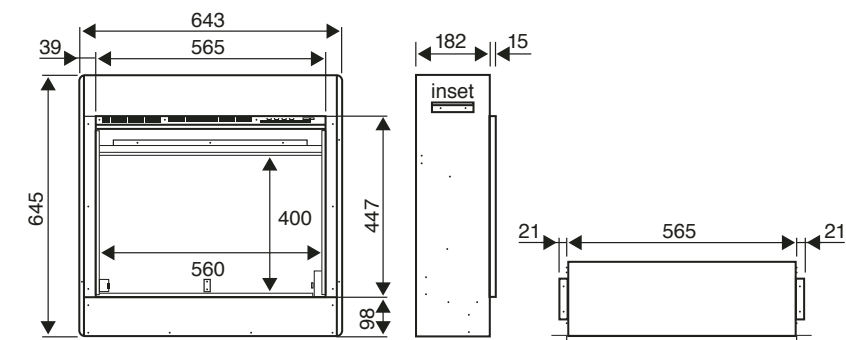
U-VR ASENCIO S



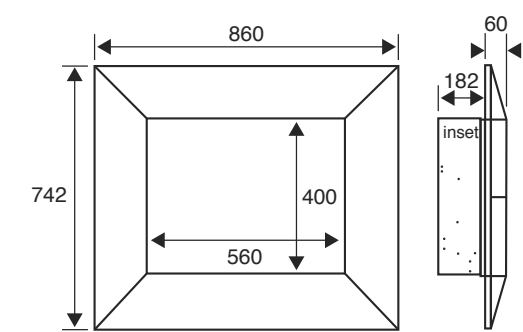
U-VR EVORA ASENCIO S



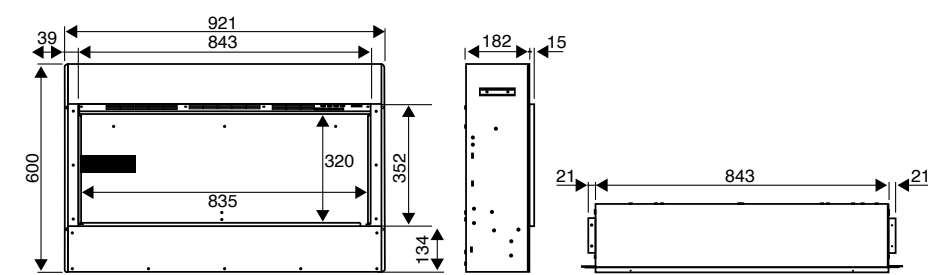
U-VR CELENA S



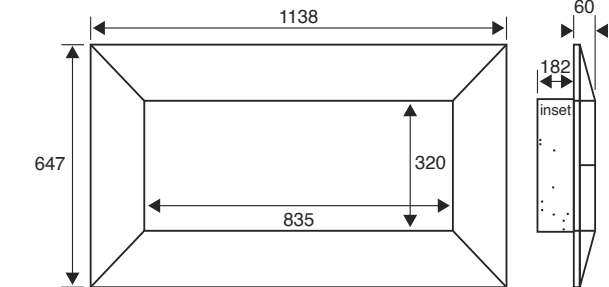
U-VR IMPULSE CELENA S



U-VR ELITE

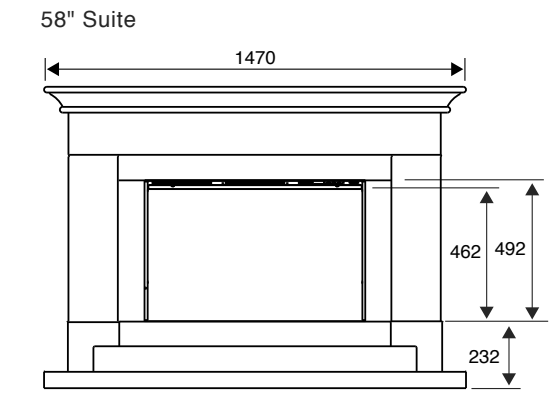
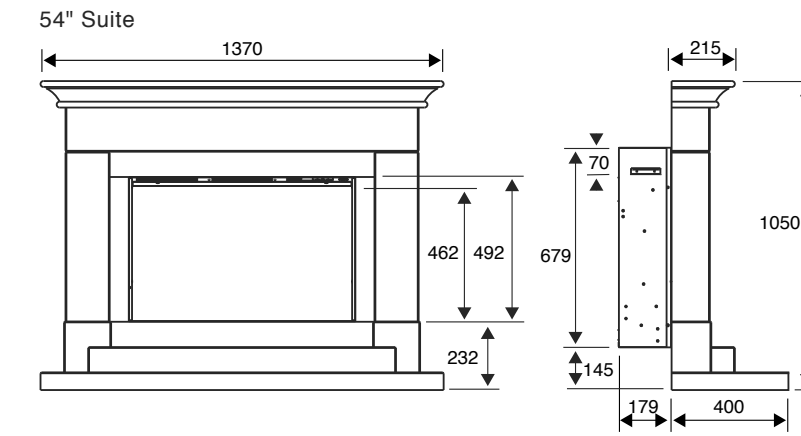


U-VR INSTINCT ELITE

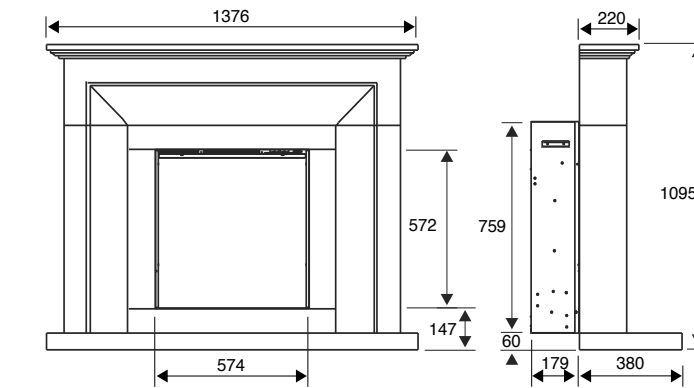


## Electric Suite Dimensions

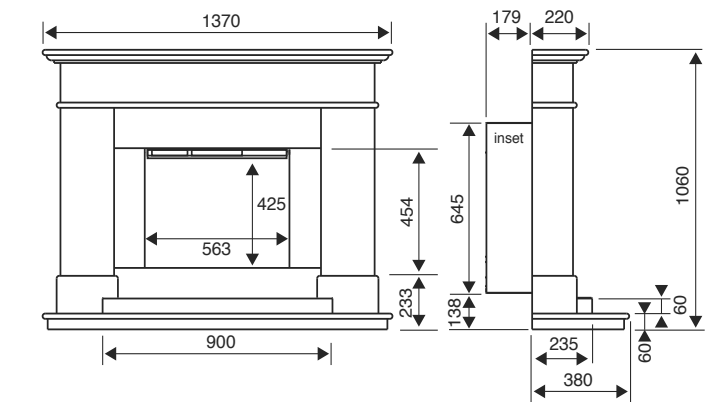
U-VR ALEESIA S ILLUMIA



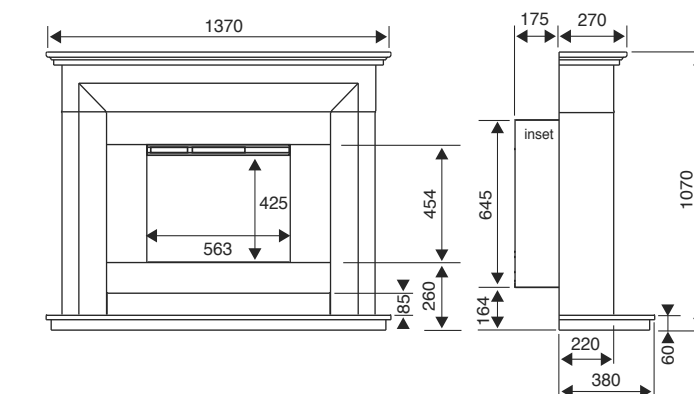
U-VR ASENCIO S



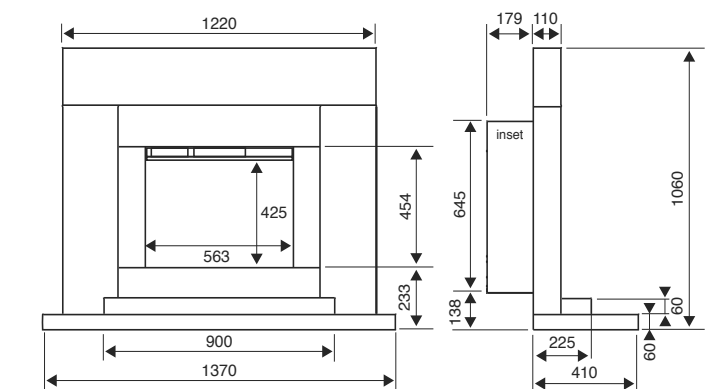
U-VR BOTICELLI S



U-VR ANGELO S



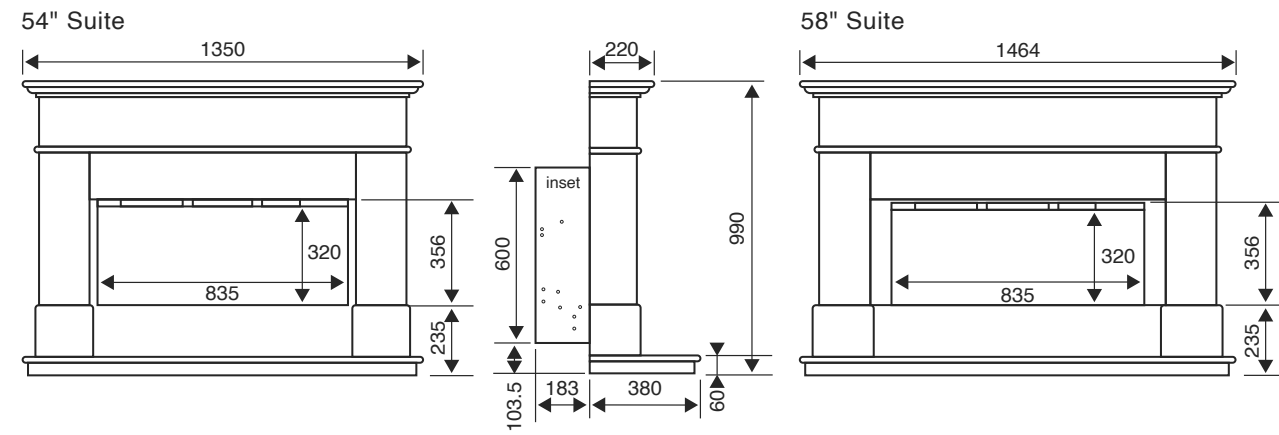
U-VR PABLO S



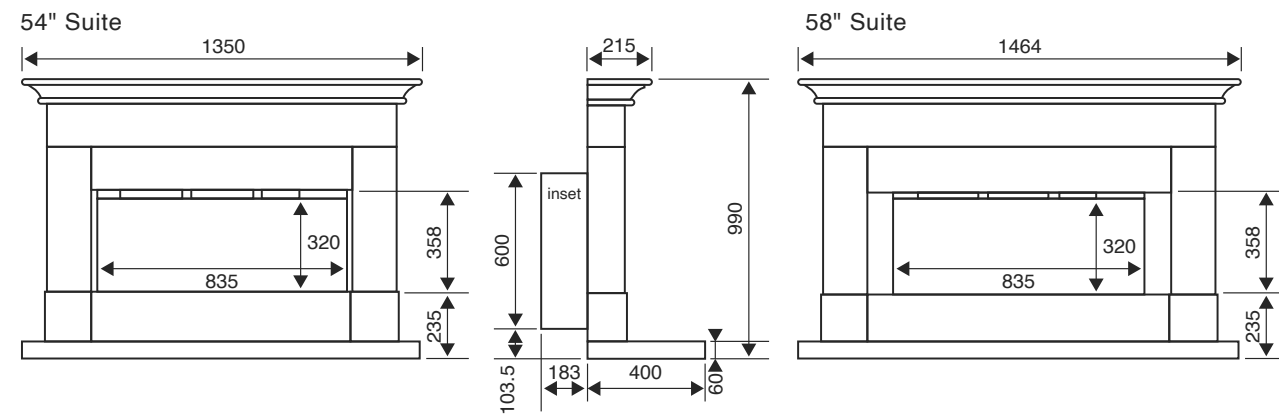


## Electric Suite Dimensions

### U-VR AVIGNON ELITE



### U-VR PARADA ELITE



## Online inspiration & information

Tap into a wealth of knowledge and discover everything you need to know about purchasing, fitting & servicing your fire.

Use our intelligent search tools to find your perfect fire

Find your nearest approved The Collection stockist

Download installation and user manuals

Register your warranty

Watch videos of our stunning fires



[www.thecollectiongasfires.co.uk](http://www.thecollectiongasfires.co.uk)  
[www.celsielectricfires.co.uk](http://www.celsielectricfires.co.uk)



---

#### WARNING

BFM Europe Limited is a Gas Safe Registered company. We recommend that all of our fires are installed by Gas Safe Registered engineers in accordance with our instructions.

#### DISCLAIMER

Our policy is one of constant development and improvement. We therefore reserve the right to revise designs and specifications of our products without formal notice, patents pending. We always recommend our products be viewed in an approved showroom before purchase.

Whilst we have taken every care in the preparation of this brochure it is not intended to replace the installation manual which provides more detailed information.

Photography is for illustration purposes only and although every effort has been made to ensure accurate reproduction of typical installations and flame pictures they may vary according to fire model and flue types.

We accept no liability for any loss or damage arising directly or indirectly from the use of this brochure. We recommend that all our fires are used in conjunction with central heating and not as a primary source of heat. In the interests of personal safety a suitable fireguard is recommended when children, the elderly and the infirm are present.

This brochure must not be reproduced in whole or in any part without prior written permission.



