

Additional Instructions for Firebeam XL products

****Installation must be carried out by a qualified and competent person****

Electrical connection

The fire can be connected directly to a 13 amp fused switched spur or plugged into a mains socket which can be sited on the right hand side of the fire. It is imperative that the power supply is capable of handling a load of 2000 watts (2kw). This appliance must be earthed. **Do not use an extension lead.**

The Beam LED lighting will require an additional mains supply. This can be wired directly into the mains supply with a 3 amp fused switched spur or plugged into a mains socket.

Ensure that both of the plug socket-outlet connections for this appliance are accessible for easy electrical isolation in the event of servicing and replacing components etc.

Always ensure that all electrical work complies with the relevant Building Regulations and the Electrical Code of Practice. All electrical work should be carried out by a qualified electrician.

Choosing a suitable location

This electric fire is designed to be fitted within an existing brick / masonry chimney breast or within a false studded chimney breast. The base of the fire opening must be solid, level and firmly fixed to safely support the weight of the fire.

If the product is installed into an existing brick / masonry chimney breast it must be dry with the chimney capped off using a suitable chimney cap. The appliance must be kept away from any source of damp or moist conditions.

Important Notice: To reduce heat losses and to prevent any chimney up draught affecting the operation of your fire we recommend that the chimney is blocked off.

The chimney breast, wall or fireplace must be of sound construction and all fixings used must be suitable for the type of wall. If there is any doubt regarding the suitability of the installation site please contact your supplier.

From the front of the fire ensure that there is a minimum clearance of 50mm between any non-combustible materials. For combustible material clearances please consult with the manufacturer.

This appliance **MUST NOT** be located immediately below an electrical socket-outlet.

The fire opening is to be a minimum of 225mm from the floor.

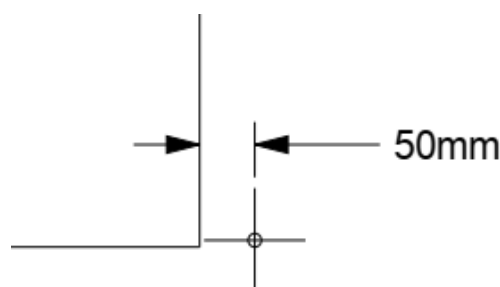


Table of fire opening sizes

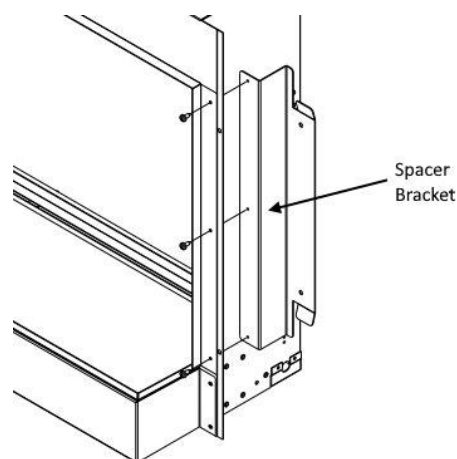
	Ultiflame VR 600	Ultiflame VR 800
Height	650mm	605mm
Width	Min 575mm Max 640mm	Min 850mm Max 915mm
Depth	135mm	135mm

An additional clearance hole is required to feed the mains cable through for the power supply to the Firebeam LED lights.

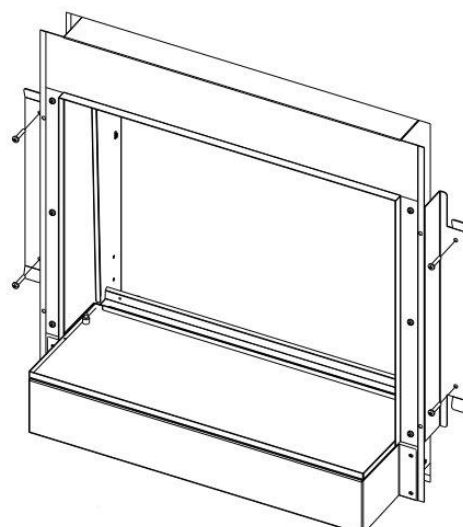
Drill a suitable sized hole to feed the mains cable through (this can be drilled on the left or right side dependent on the position of the power supply). This should be in line with the bottom of the fire opening and 50mm from the edge.



Remove the 6 screws holding the side panels on the front of the fire. Refit the side panels using the supplied longer screws whilst fitting the spacer brackets to the back of the fire as shown.



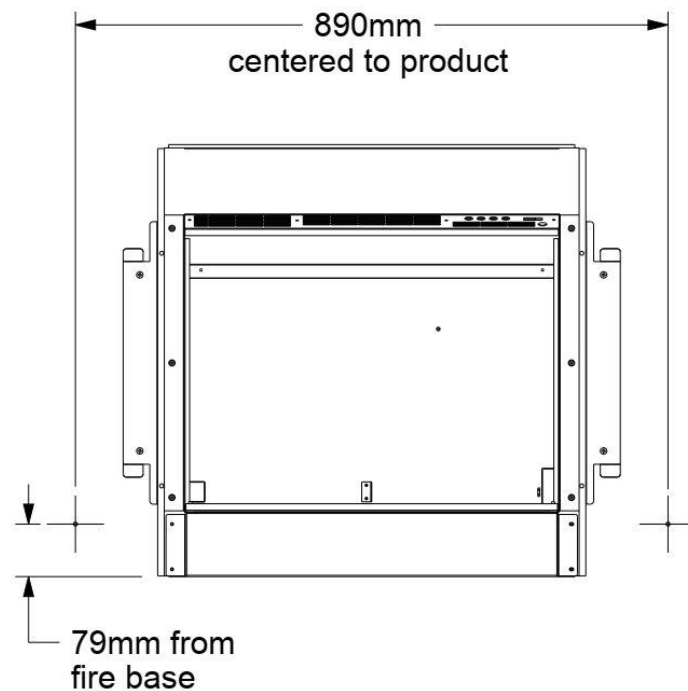
Fix the fire to the wall using 4 suitable screws and wall fixings. Use the holes in the spacer brackets as shown.



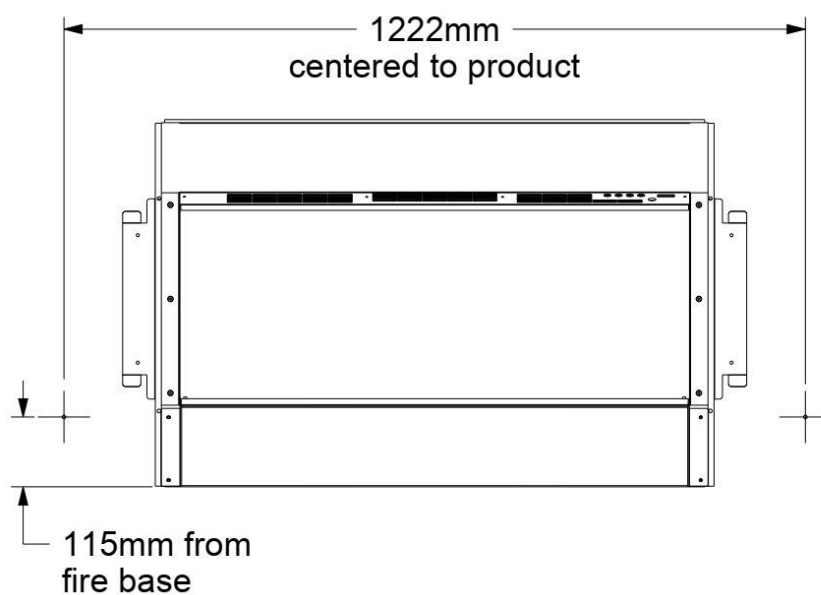
Fitting the Firebeam XL

The firebeam is hung on the wall by locating onto 2 screws. Ensure that suitable screws and wall fixings are used. See below diagrams for drilling positions.

Ultiflame VR 600

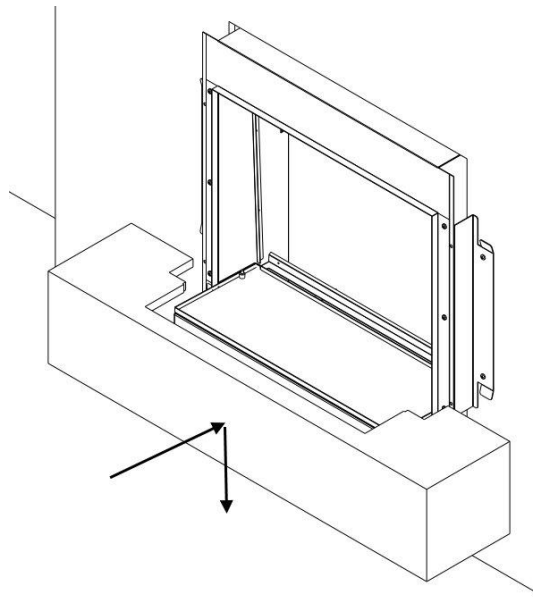


Ultiflame VR 800

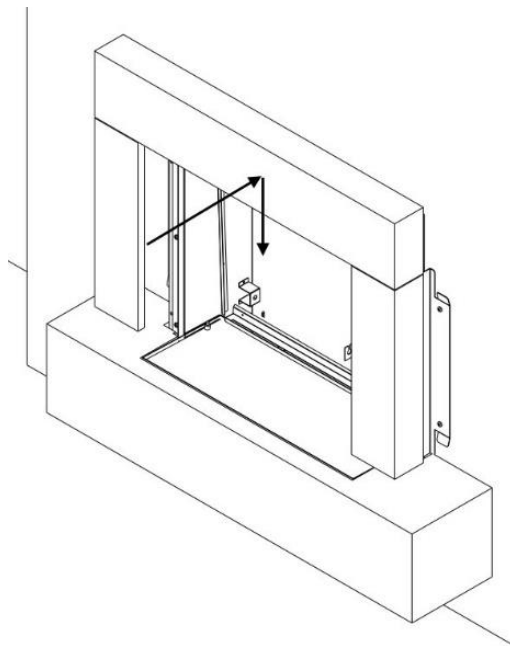


Ensure that the mains power cable to the beam LED downlights has been re-connected.

Offer the beam up to the wall and locate the brackets onto the fixing screws and allow the beam to drop into position to locate fully within the keyhole slot brackets.



Now offer the surround up to the wall and lower into place to locate into the fixing brackets.



1167-1034006
Issue 1

BFM Europe Ltd
Gordon Banks Drive
Trentham Lakes
Stoke-on-Trent
ST4 4TJ

Technical Queries: 01782 339039
Service Fault Enquiries: 01782 339008